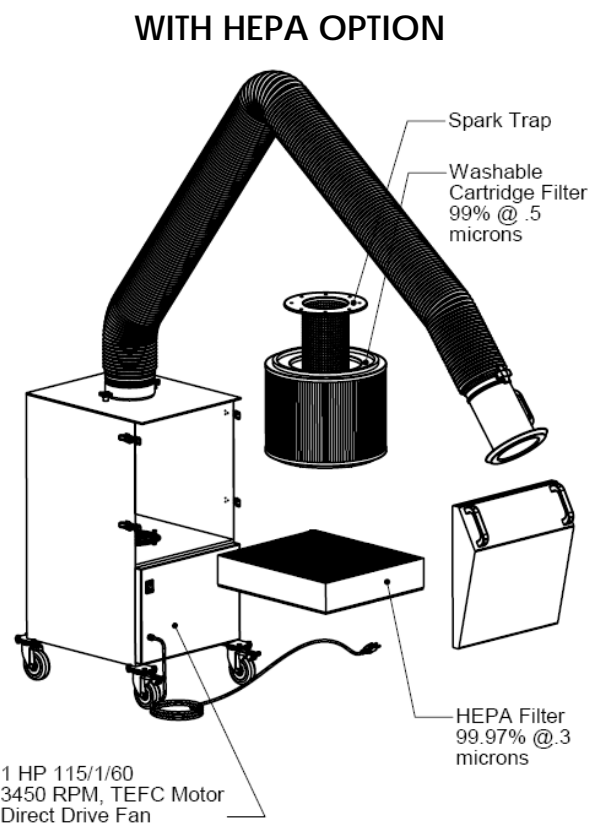
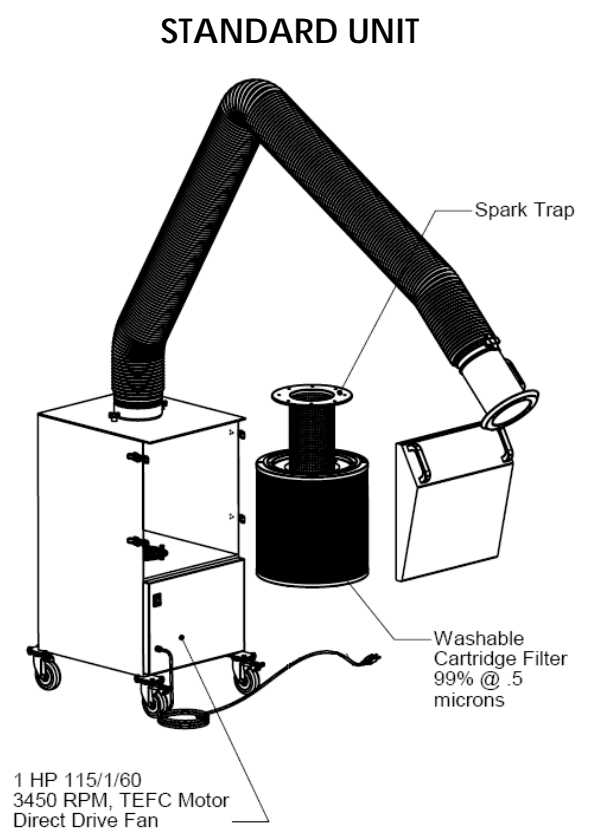


TECHNICAL DATA:
 Airflow: Up to 700 CFM
 Power: 115/1/60 11 amps
 Noise Level: 65 dBA @ 5 ft.
 Weight: 175 lbs.



02-01

CUSTOMER:
CUSTOMER P.O.:
PROJECT:
ENGINEER:
SALES REP.:
IDENTIFICATION / TAGGING:

> www.lev-co.com • 1.888.862.5356



The device depicted and described hereon embodies proprietary information owned by the manufacturer. All design, manufacturing, reproduction, sales and patent rights regarding this device or drawing reserved except where explicit right is guaranteed in writing. We reserve the right to make design changes.

Drawn by:	Janos B
Date:	11/24/2008
Scale:	NTS
Weight:	N/A

02-01 MOBI-FLEX CARTRIDGES DUST COLLECTOR	
Specification Drawing	
Drawing No.: -	File Name: (02-01) Mobi-Flex - SD
Material: -	Sheet: 1/2

MODELS & OPTIONS:

Part #	Description
Main System / Part	
<input type="checkbox"/> ___ P-150/P-002	Standard Mobi-Flex Unit with 2m (6.6') extraction arm.
<input type="checkbox"/> ___ P-150/P-003	Standard Mobi-Flex unit with 3m (10') extractor arm 1 HP 115/1/60 TEFC motor
<input type="checkbox"/> ___ P-150/P-003/CHARCOAL	Mobi-Flex unit c/w 3m (10') extractor arm and charcoal filter (45 lbs. of Activated Charcoal included) 1 HP 115/1/60 TEFC motor
<input type="checkbox"/> ___ P-150/P-003/COMBO	Mobi-Flex unit c/w 3m (10') extractor arm and Gas/Micro - Combo Filter (washable spun bond polyester/15 lbs of activated carbon) 1 HP 115/1/60 TEFC motor
<input type="checkbox"/> ___ P-150/P-003/HEPA	Mobi-Flex unit c/w 3m (10') extractor arm and 99.97% HEPA afterfilter 1 HP 115/1/60 TEFC motor
<input type="checkbox"/> ___ P-150-18 - Switch	Switch for Mobi Flex and/or Portable P-Max fans
Hood Options	
<input type="checkbox"/> ___ P-019-020	Work Light 12 V Halogen 50 VA. for hood c/w 10m (33') cable with switch and step-down transformer 115V/12V.
Retro-Fit Parts	
<input type="checkbox"/> ___ MOBI-HEPA-RETROFIT KIT	HEPA Filter Retrofit Kit for existing Mobi-Flex units
Replacement filters - (Quantity discounts available upon request)	
<input type="checkbox"/> ___ CF-45	Activated charcoal filter cartridge (filled with approx. 45 lbs. of activated charcoal)
<input type="checkbox"/> ___ Charcoal-15	15 lbs. pail of activated carbon.
<input type="checkbox"/> ___ P-004-MFC	Filter, Gas/Micro - Combo Filter - spun bond polyester/activated carbon (filled with 15 lbs. of activated charcoal)
<input type="checkbox"/> ___ P-150-HEPA	99.97% HEPA Replacement Filter for Mobi-Flex
<input type="checkbox"/> ___ P-160	80/20 Cell Polyester blended replacement filter cartridge for standard Mobi-Flex units For Dry Dust & Welding smoke applications. Cleanable with a vacuum or compressed air.
<input type="checkbox"/> ___ P-160-SHORT	Short washable (spun-bound polyester) filter cartridge for Mobi-Flex units w/ HEPA
<input type="checkbox"/> ___ P-160-W	Washable spun-bound polyester replacement filter cartridge for standard Mobi-Flex units for Oily smoke applications. Cleanable with Detergent and high pressure water.
<input type="checkbox"/> ___ PRE-COAT-5	5lb pail of pre-coat
Installation Option & Accessories	
<input type="checkbox"/> ___ P-086	Double arm Adapter, which permits 2-160mm Flexi arms to be mounted on Mobi-Flex or Wall-Flex.
Replacement Parts	
<input type="checkbox"/> ___ P-002	Flexi© extraction arm 2m (6.7') for mounting to Mobi-Flex©.
<input type="checkbox"/> ___ P-003	Flexi© extraction arm 3m (10') for mounting to Mobi-Flex©.

02-01

CUSTOMER:
CUSTOMER P.O.:
PROJECT:
ENGINEER:
SALES REP.:
IDENTIFICATION / TAGGING:


www.lev-co.com • 1.888.862.5356



The device depicted and described hereon embodies proprietary information owned by the manufacturer. All design, manufacturing, reproduction, sales and patent rights regarding this device or drawing reserved except where explicit right is guaranteed in writing. We reserve the right to make design changes.

Drawn by:	Janos B
Date:	11/24/2008
Scale:	NTS
Weight:	N/A

02-01 MOBI-FLEX CARTRIDGES DUST COLLECTOR	
Specification Drawing	
Drawing No.: -	File Name: (02-01) Mobi-Flex - SD
Material: -	Sheet: 2/2