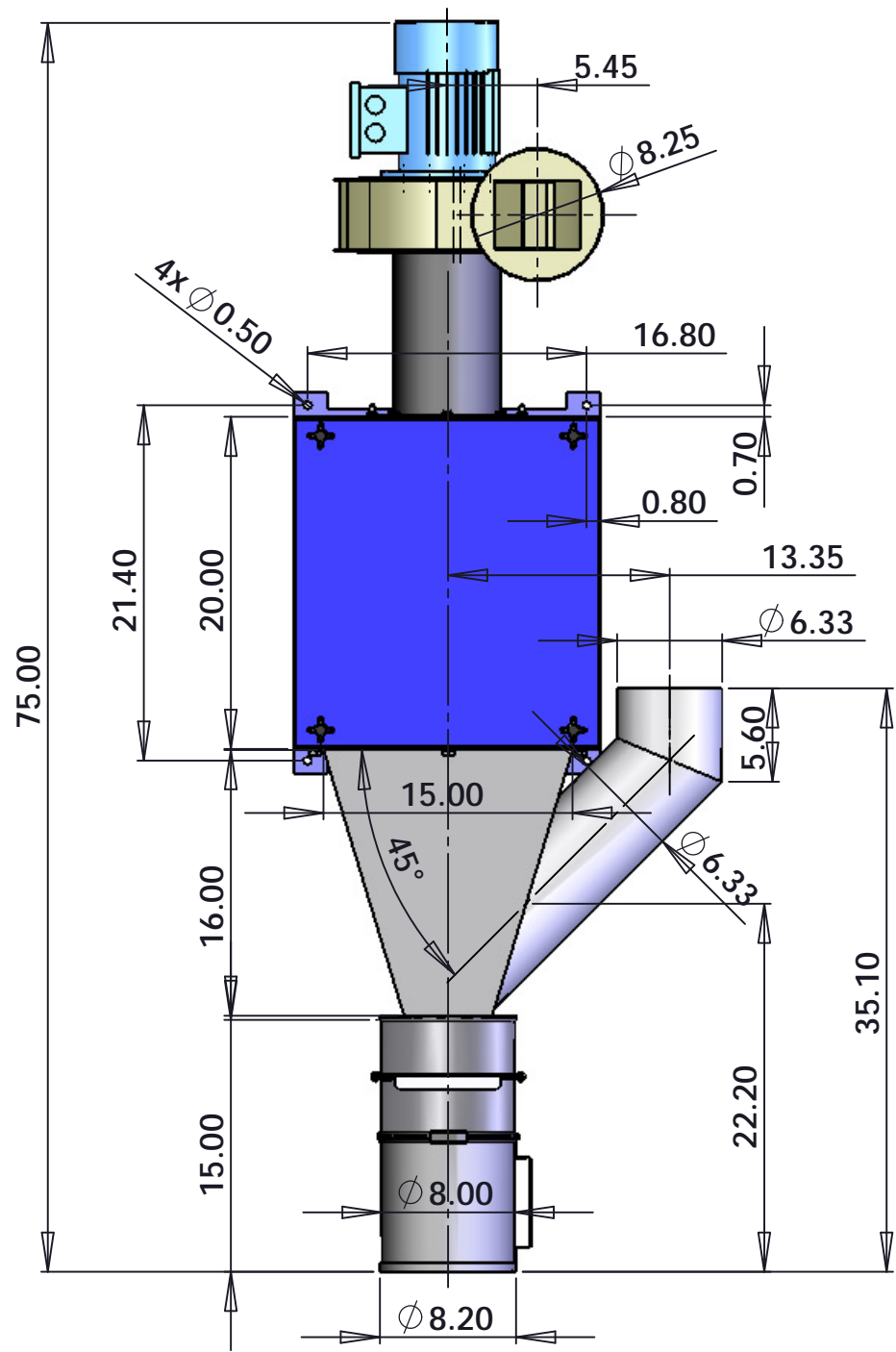
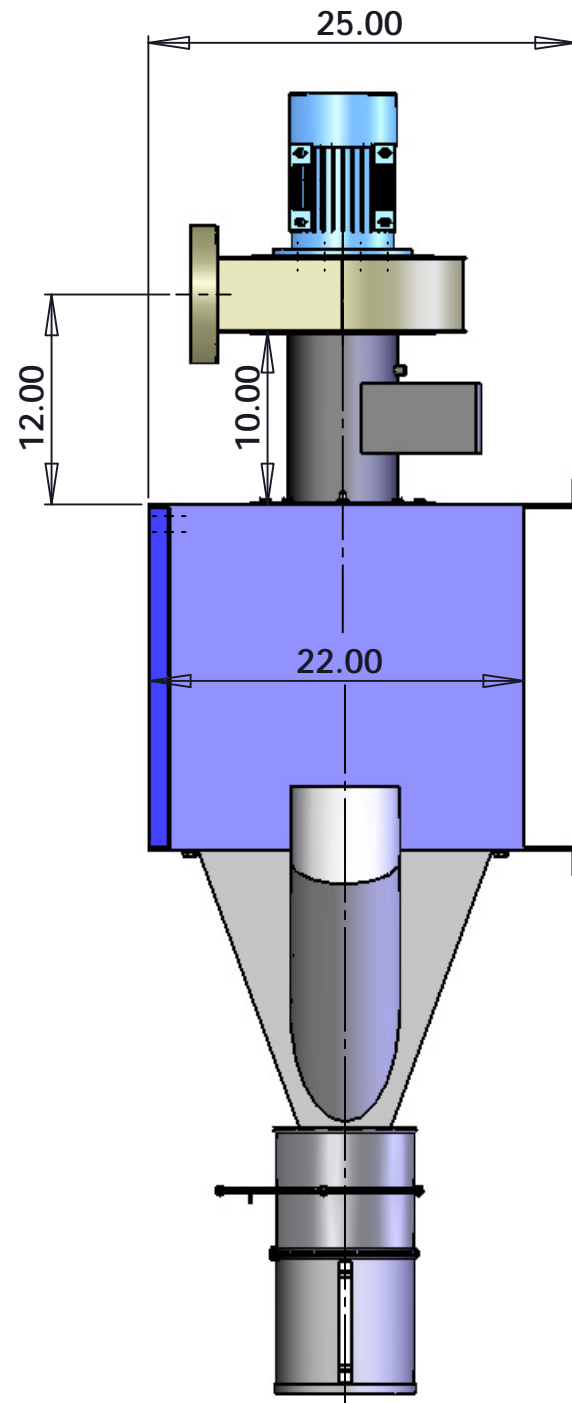


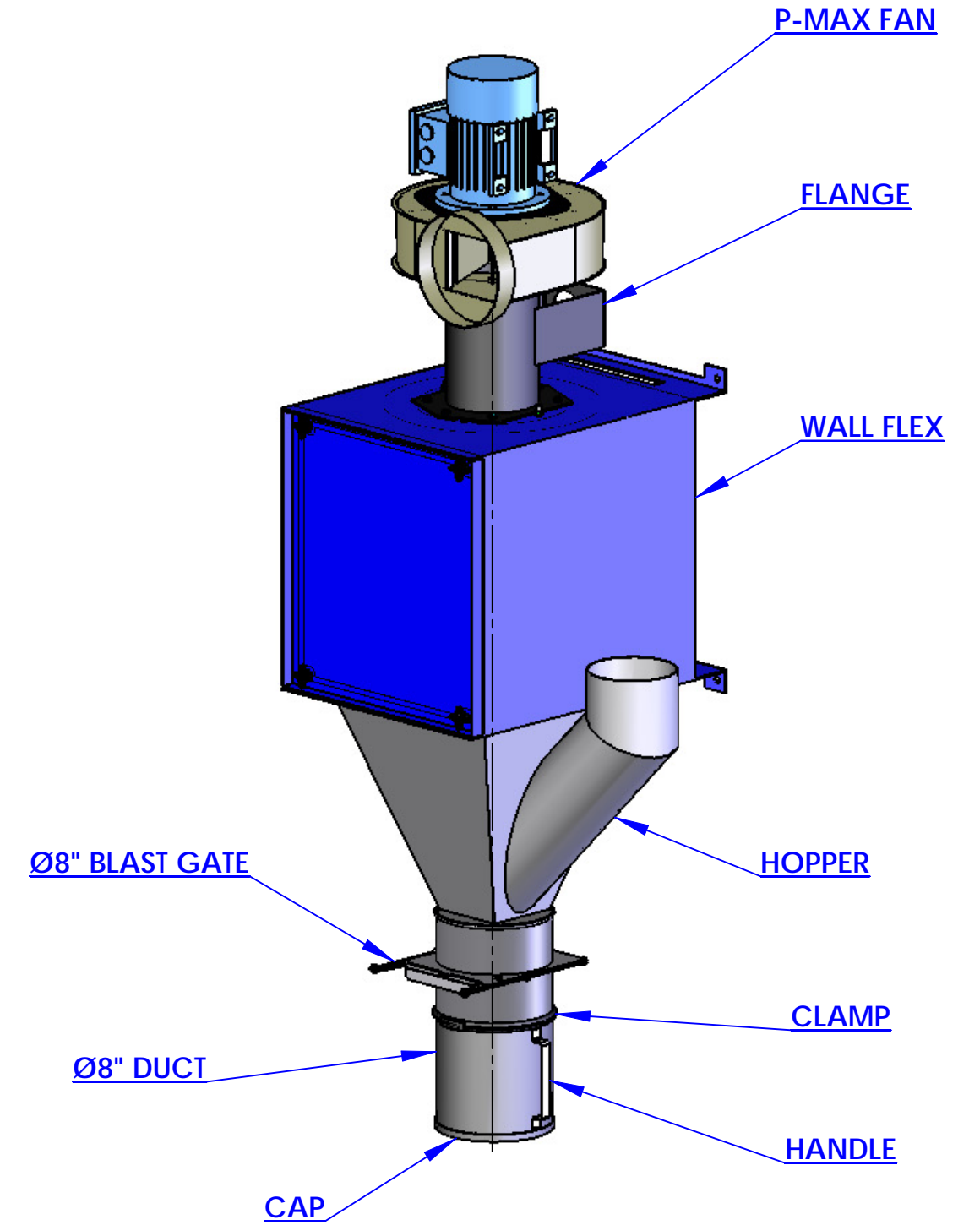
FRONT VIEW



SIDE VIEW



DIMETRIC VIEW



CUSTOMER:  
 CUSTOMER P.O.:  
 PROJECT:  
 ENGINEER:  
 SALES REP.:  
 IDENTIFICATION / TAGGING:

> [www.lev-co.com](http://www.lev-co.com) • 1.888.862.5356

**lev-co**

The device depicted and described hereon embodies proprietary information owned by the manufacturer. All design, manufacturing, reproduction, sales and patent rights regarding this device or drawing reserved except where explicit right is guaranteed in writing. We reserve the right to make design changes.

Drawn by: Janos B  
 Date: 1/8/2009  
 Scale: NTS  
 Weight: N/A

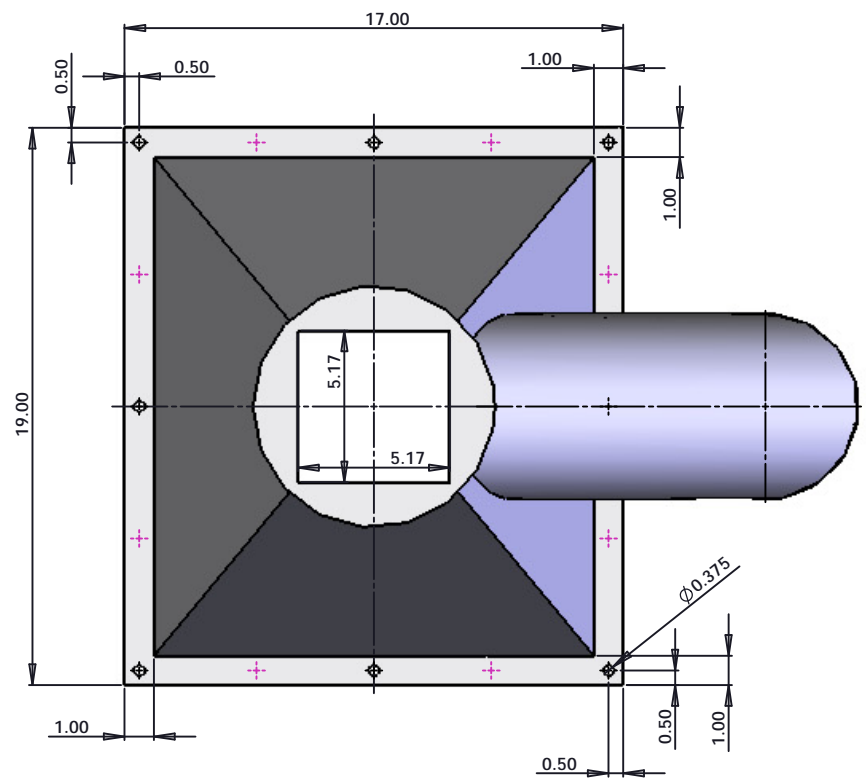
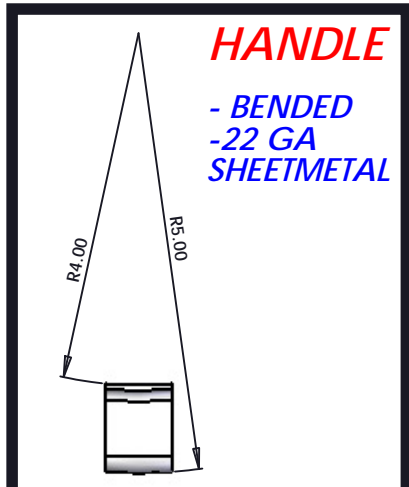
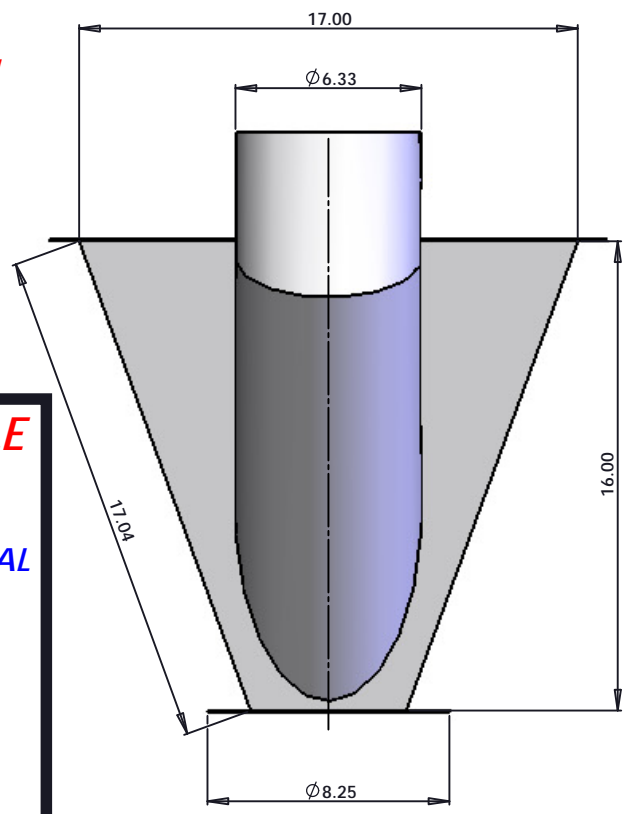
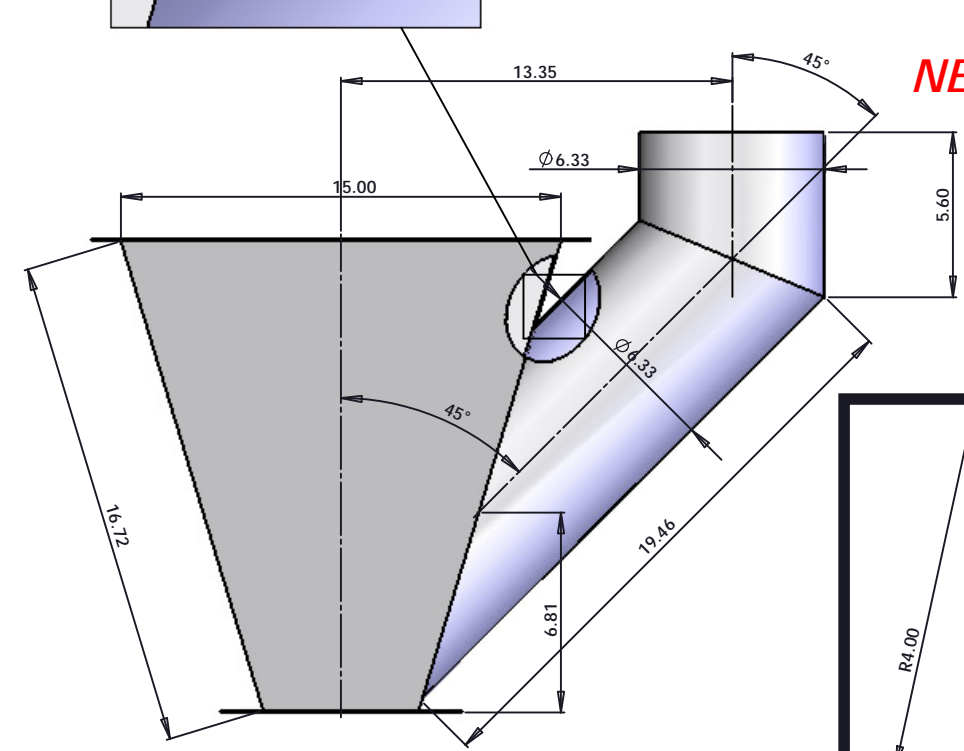
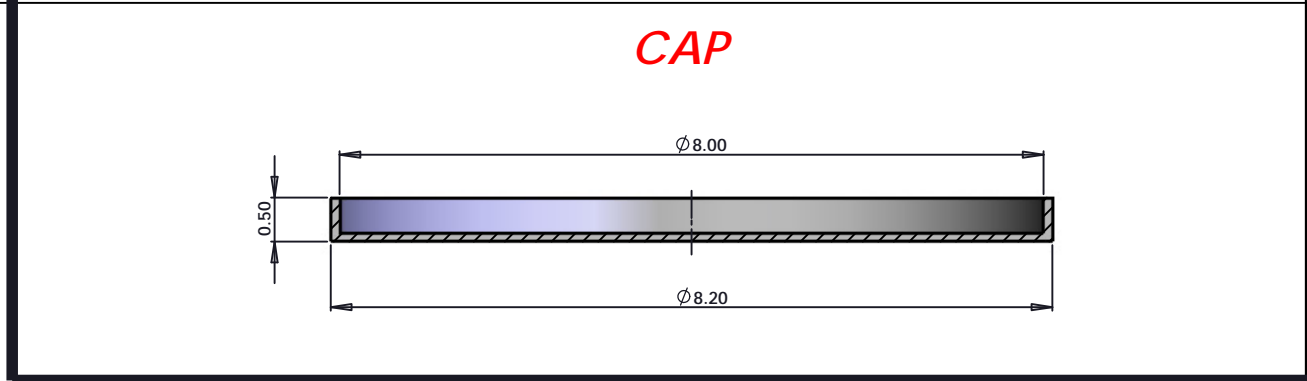
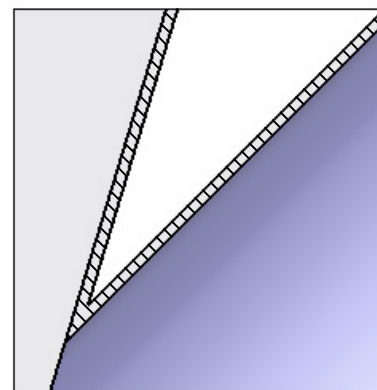
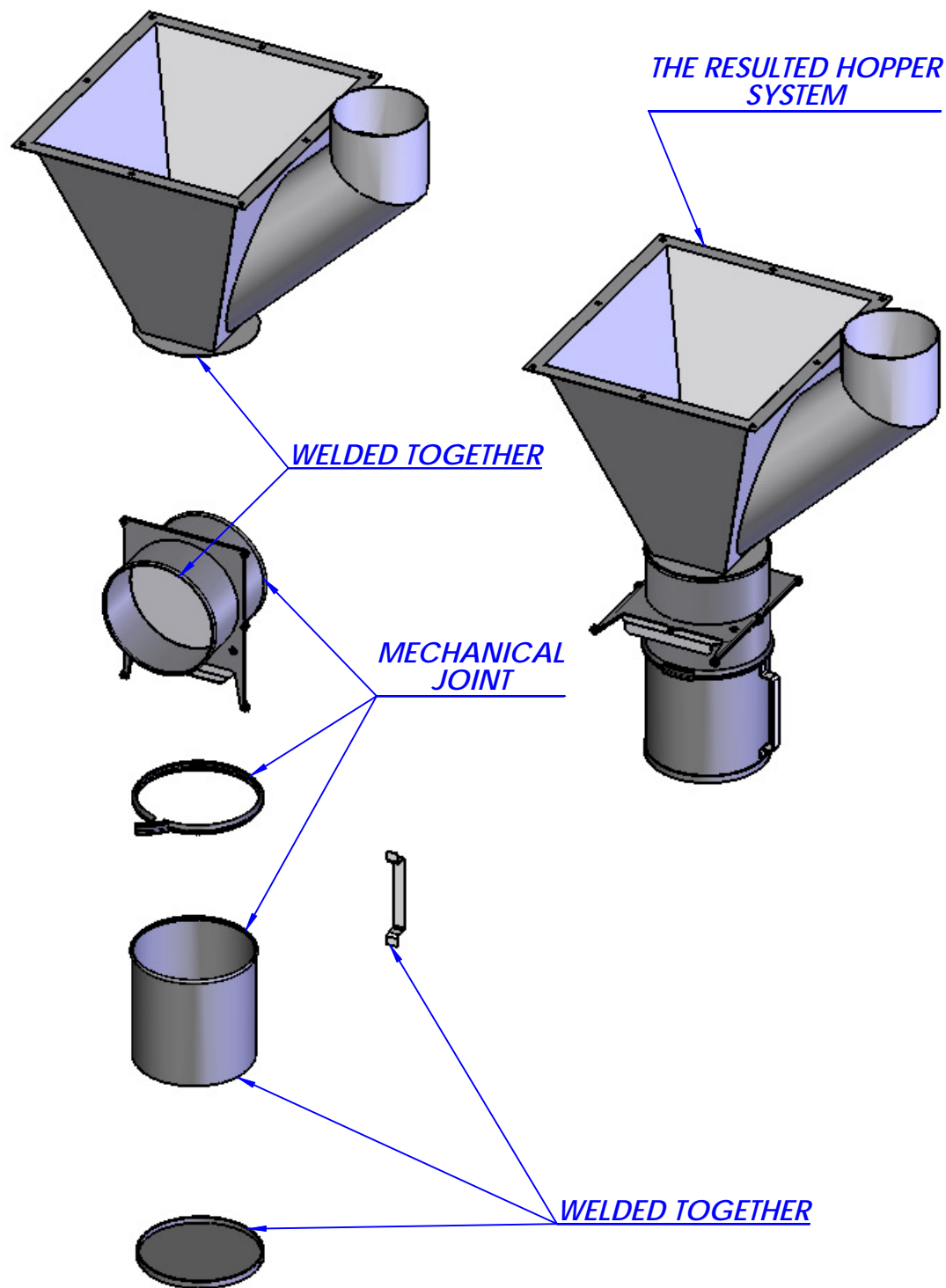
**Low Temp & High Temp Spring Recoil Hose Reels**

Specification Drawing

Drawing No.: -  
 Material: -

File Name: wall flex with Fan-new design  
 Sheet: 1/2

**MOUNTING DETAIL**



**NOTES:**

- WELDED
- 22 GA SHEETMETAL
- ALL DIMESIONS ARE IN INCHES

**lev-co** THE LOCAL EXHAUST & VENTILATION COMPANY  
[www.LEV-CO.com](http://www.LEV-CO.com)  
 Sales @LEV-CO.com  
 North America: Phone: 888.862.5356, Fax: 866.840.9923

Drawn by: Jairo Balazs  
 Date: 12/21/2006  
 Scale: NTS  
 Weight: N/A

**WALL FLEX**  
 NEW DESIGN  
 Layout & Mfg. Drawing

The device depicted and described hereon embodies proprietary information owned by the manufacturer. All design, manufacturing reproduction, sales and patent rights regarding this device or drawing reserved except where explicit right is guaranteed in writing. We reserve the right to make design changes.

Drawing No.: File Name: Sheet: 2/2