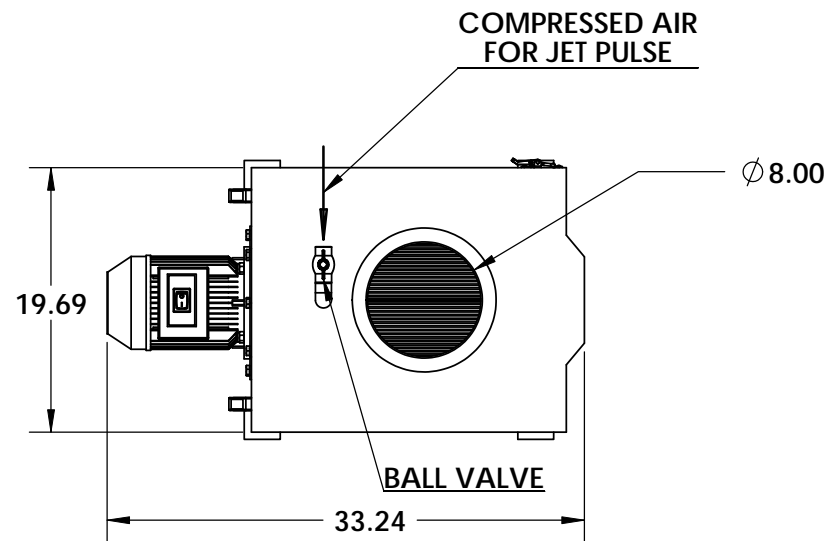
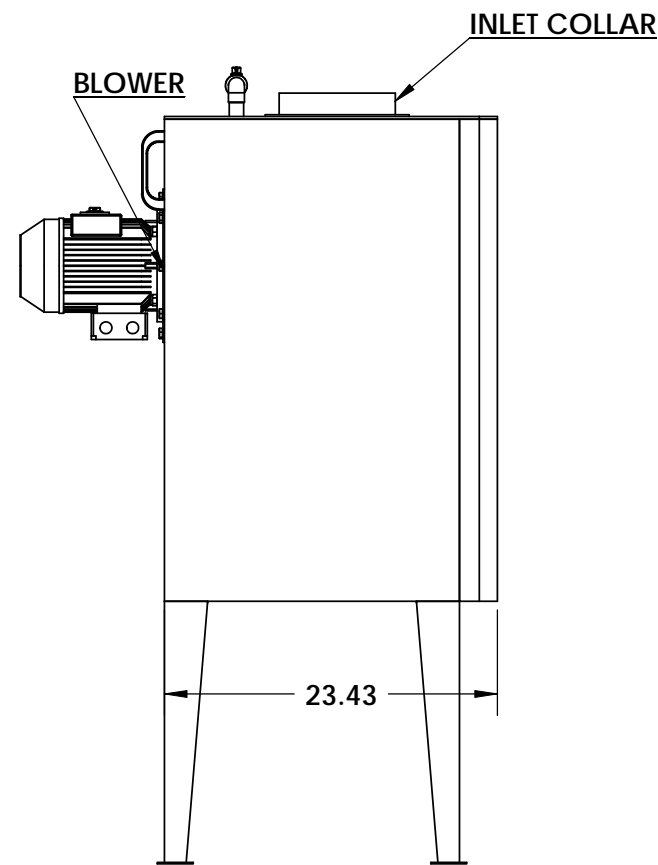


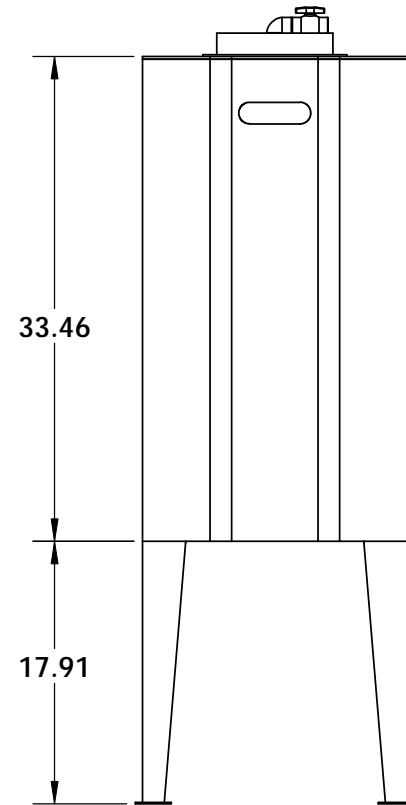
TOP VIEW



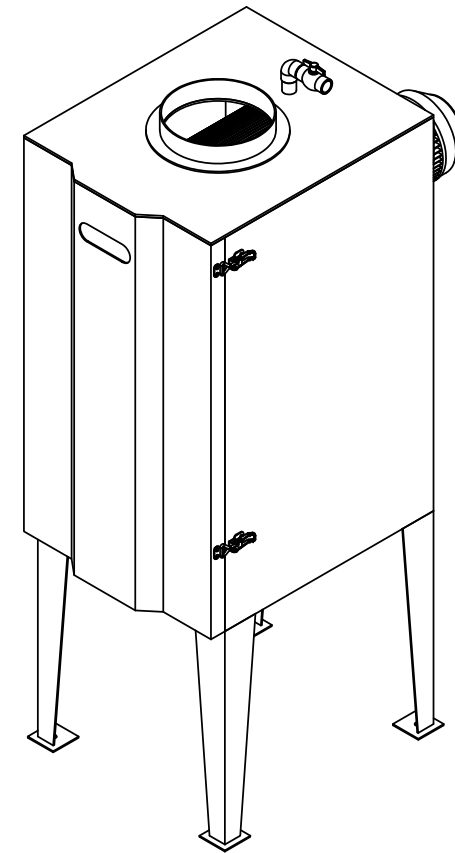
SIDE VIEW



FRONT VIEW



ISOMETRIC VIEW



Specifications:

Blower packages:

- 1phase/1.5 HP/115V/60Hz
- 3phases/1.5 HP/208-230/460V/60Hz
- 3phases/1.5 HP/575V/60Hz

Construction:

- 12/14/16 ga. welded steel, powder coated cabinet

Nominal CFM:

- 1400 CFM "Free-Blowing"

Filtration:

- With up to 99,9% filter efficiency the CFECO Cartridge Filters will clean the premises of welding fumes and light grinding dust. The cleaned air is recirculated into the premises, with no heat loss at all. The access to the "maintenancefree" replaceable cartridge filter is easy and changing it takes just a couple of minutes.

04-061

CUSTOMER:
 CUSTOMER P.O.:
 PROJECT:
 ENGINEER:
 SALES REP.:
 IDENTIFICATION / TAGGING:

> www.lev-co.com • 1.888.862.5356

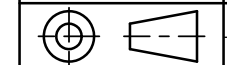
lev-co

The device depicted and described hereon embodies proprietary information owned by the manufacturer. All design, manufacturing, reproduction, sales and patent rights regarding this device or drawing reserved except where explicit right is guaranteed in writing. We reserve the right to make design changes.

Drawn by: Janos B
 Date: 10/30/2009
 Scale: NTS
 Weight: N/A

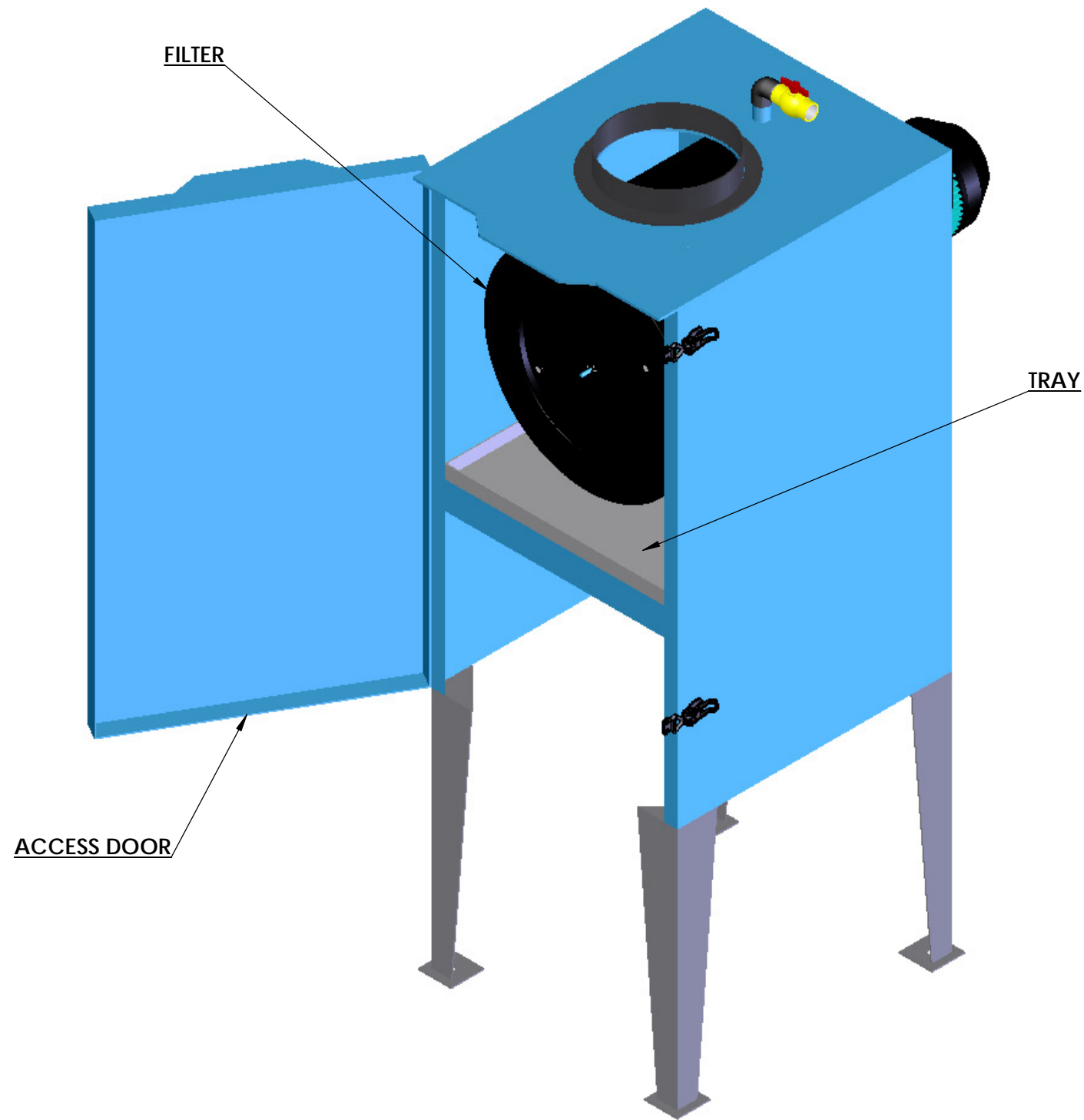
04-061 CF-ECO

Specification Drawing



Drawing No.: -
 Material: -
 File Name: CF-ECO - SD

Sheet: 1/2



Models and Options:

Main System / Part	
<input type="checkbox"/>	CF-ECO-1 CF-ECO c/w 1HP 115/1/60 motor
<input type="checkbox"/>	CF-ECO-2 CF-ECO c/w 1HP 208-230/460/3/60 motor
<input type="checkbox"/>	CF-ECO-3 CF-ECO c/w 1HP 575/3/60 motor

04-061

CUSTOMER:
CUSTOMER P.O.:
PROJECT:
ENGINEER:
SALES REP.:
IDENTIFICATION / TAGGING:

www.lev-co.com • 1.888.862.5356



The device depicted and described hereon embodies proprietary information owned by the manufacturer. All design, manufacturing, reproduction, sales and patent rights regarding this device or drawing reserved except where explicit right is guaranteed in writing. We reserve the right to make design changes.

Drawn by: Janos B
Date: 10/30/2009
Scale: NTS
Weight: N/A

04-061 CF-ECO	
Specification Drawing	
Drawing No.: -	File Name: CF-ECO - SD
Material: -	Sheet: 2/2