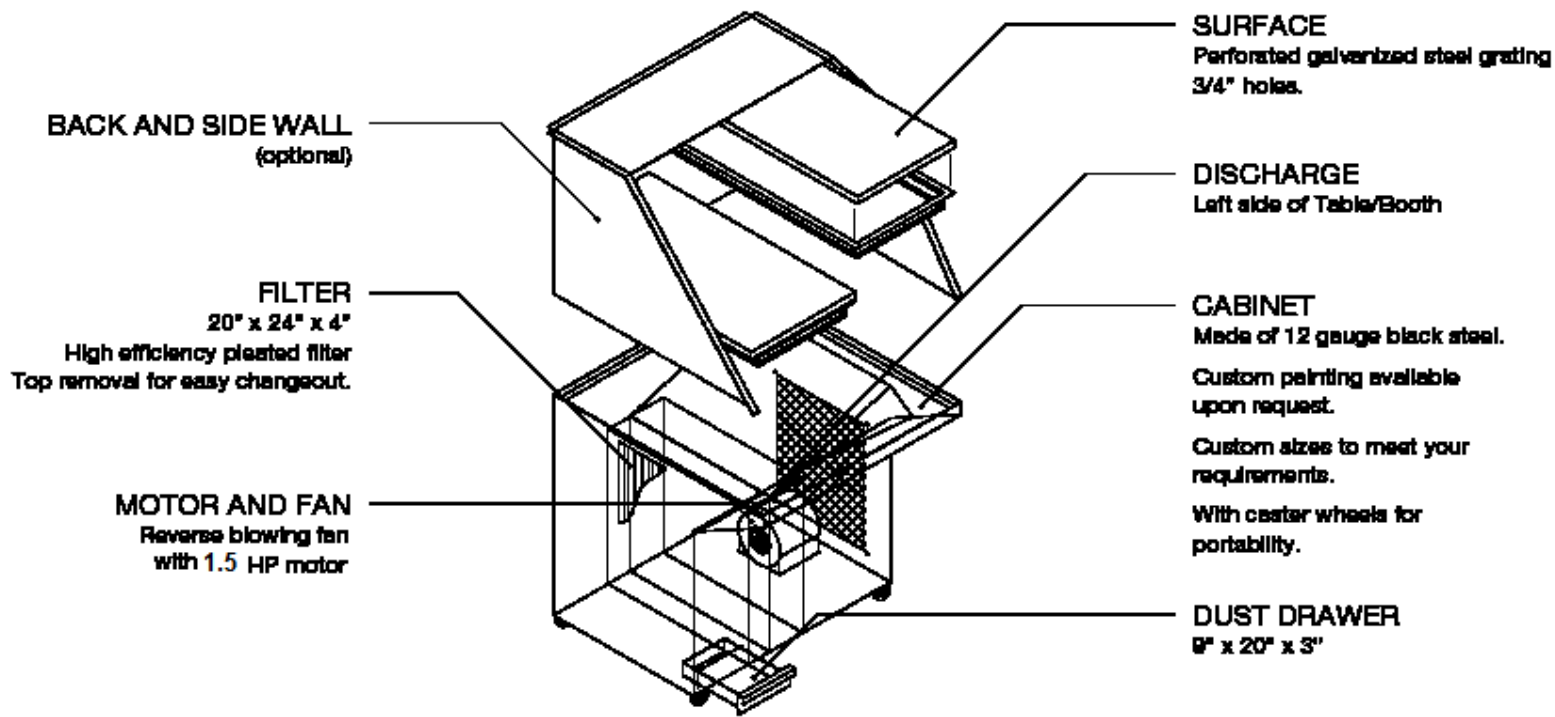
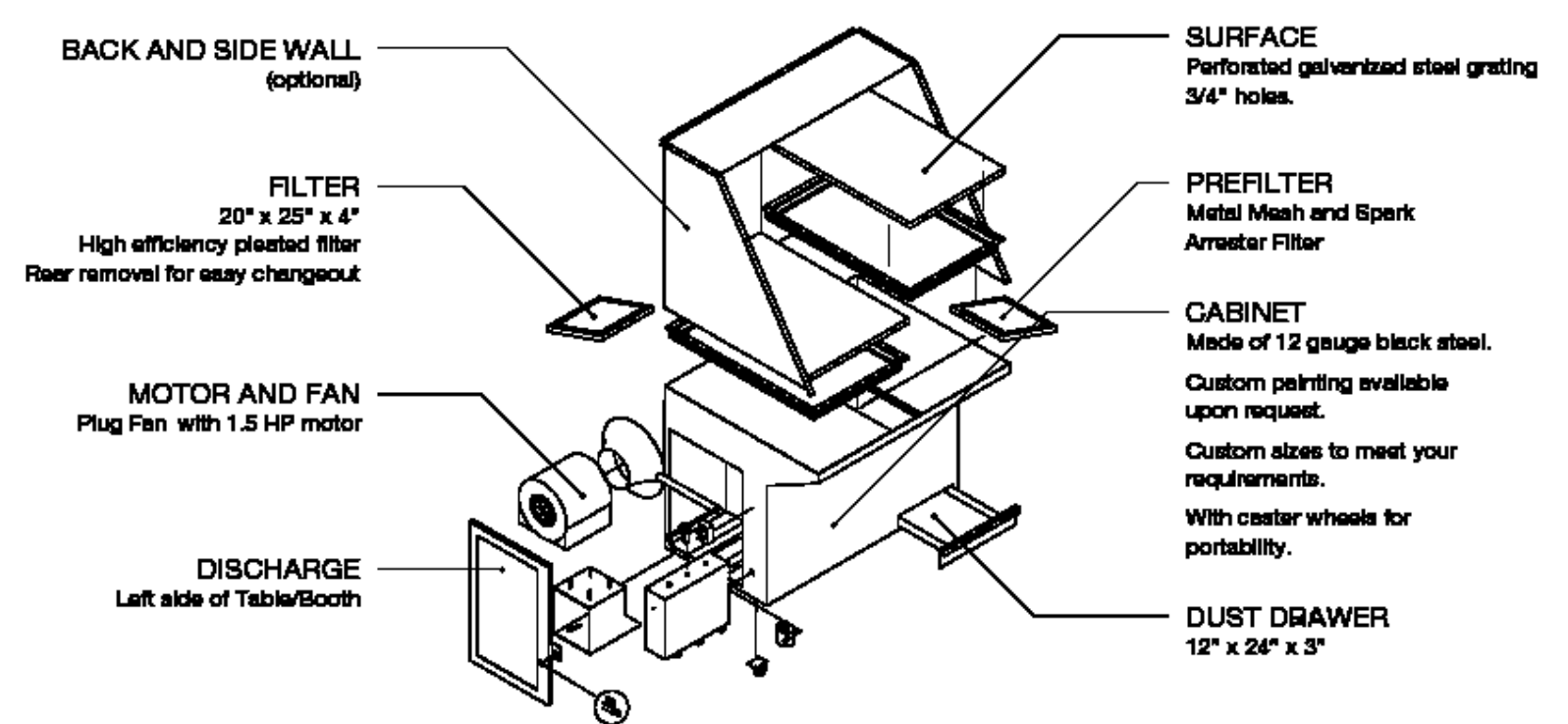


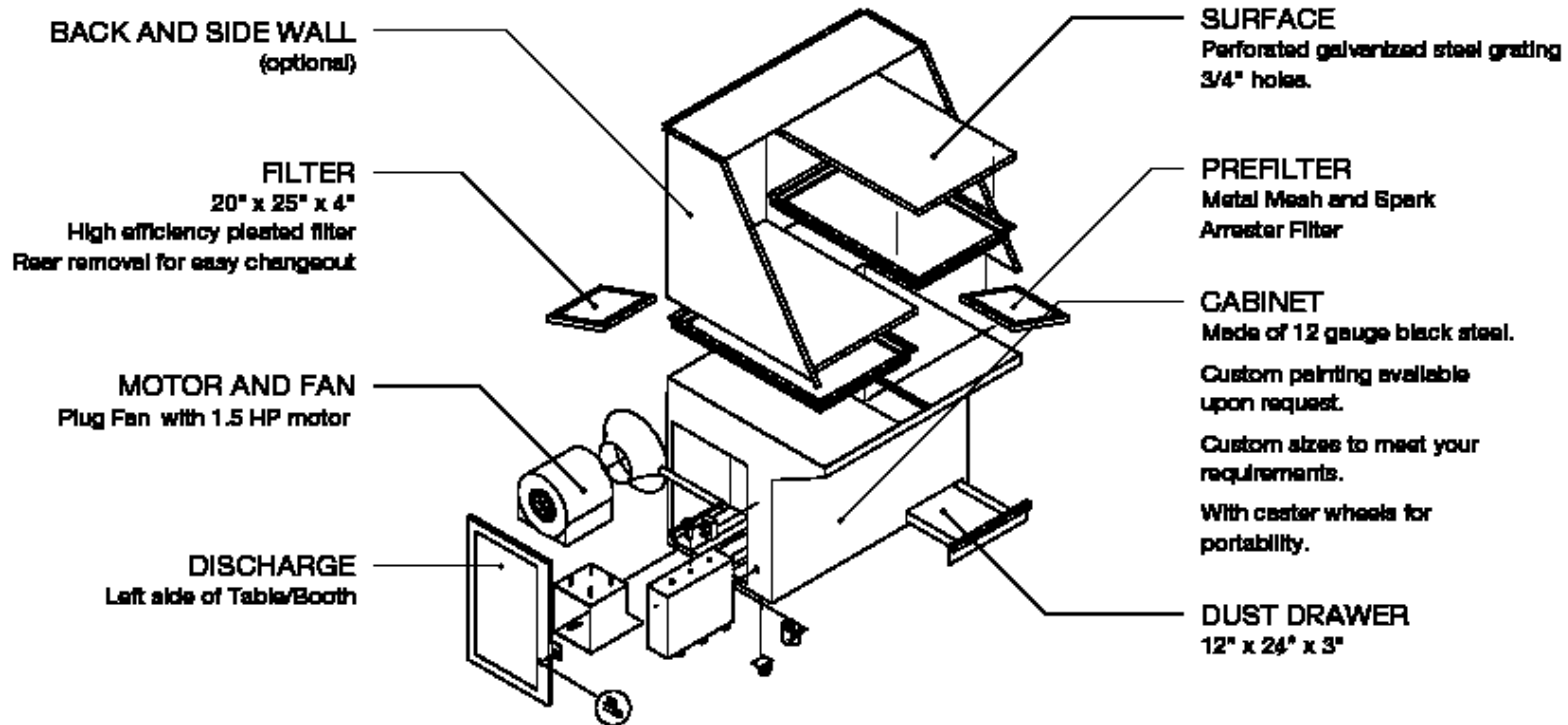
LEV-TBL-2250-3X3



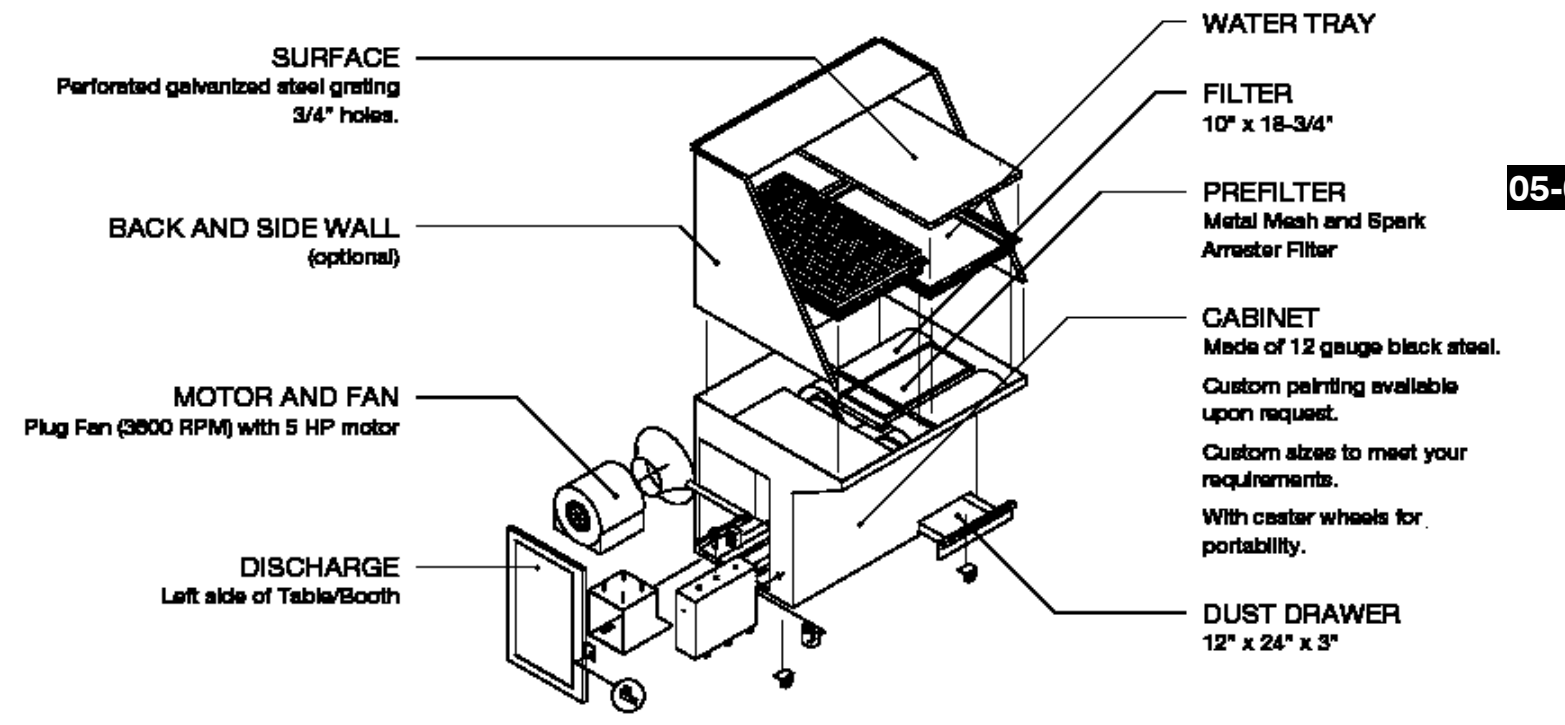
LEV-TBL-2250-4X4



LEV-TBL-2250-4X3



LEV-TBL-4800-4X4



05-02

CUSTOMER:
 CUSTOMER P.O.:
 PROJECT:
 ENGINEER:
 SALES REP.:
 IDENTIFICATION / TAGGING:

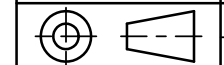
> www.lev-co.com • 1.888.862.5356

lev-co

The device depicted and described hereon embodies proprietary information owned by the manufacturer. All design, manufacturing, reproduction, sales and patent rights regarding this device or drawing reserved except where explicit right is guaranteed in writing. We reserve the right to make design changes.

Drawn by: Janos B
 Date: 11/4/2008
 Scale: NTS
 Weight: N/A

05-02 LEV Down Draft Tables with Panel Filters
 Specification Drawing



Drawing No.: -
 Material: -
 File Name: (05-02) LEV Down Draft Tables with
 Sheet: 1/2

MODELS & OPTIONS:

Part #	Dimensions
Main System / Part	
<input type="checkbox"/> LEV-TBL-2250-3X3	Downdraft Table 3' X 3' work area, 2250 CFM 1.5 HP 115/1/60 "Grinding" Downdraft Velocity --> 250 FPM "Welding" Downdraft Velocity --> 100 FPM
<input type="checkbox"/> LEV-TBL-2250-4X3	Downdraft Table 4' X 3' work area, 2250 CFM 1.5 HP 115/1/60 "Grinding" Downdraft Velocity --> 190 FPM "Welding" Downdraft Velocity --> 100 FPM
<input type="checkbox"/> LEV-TBL-2250-4X4	Downdraft Table 4' X 4' work area, 2250 CFM 1.5 HP 115/1/60 "Grinding" Downdraft Velocity --> 140 FPM "Welding" Downdraft Velocity --> 100 FPM
<input type="checkbox"/> LEV-TBL-4800-4X4	Downdraft Table 4' X 4' work area, 4800 CFM 5.0 HP 208/230/460/575V (PIs specify when ordering). "Grinding" Downdraft Velocity --> 300 FPM "Welding" Downdraft Velocity --> 100 FPM

Hood Options

[LEV-TBL-DTL-2](#) 2' Dust-tight Light - 120V/1/60

Enclosure & Intermediary Hoods

[LEV-TBL-BSS-4](#) Back & Side Shield / Enclosure for 4' wide tables

[LEV-TBL-CDS](#) Center Divider/Shield for Downdraft tables

05-02

CUSTOMER:
CUSTOMER P.O.:
PROJECT:
ENGINEER:
SALES REP.:
IDENTIFICATION / TAGGING:



The device depicted and described hereon embodies proprietary information owned by the manufacturer. All design, manufacturing, reproduction, sales and patent rights regarding this device or drawing reserved except where explicit right is guaranteed in writing. We reserve the right to make design changes.

Drawn by: Janos B
Date: 11/4/2008
Scale: NTS
Weight: N/A

05-02 LEV Down Draft Tables with Panel Filters
Specification Drawing
Drawing No.: -
Material: -
File Name: (05-02) LEV Down Draft Tables with
Sheet: 2/2