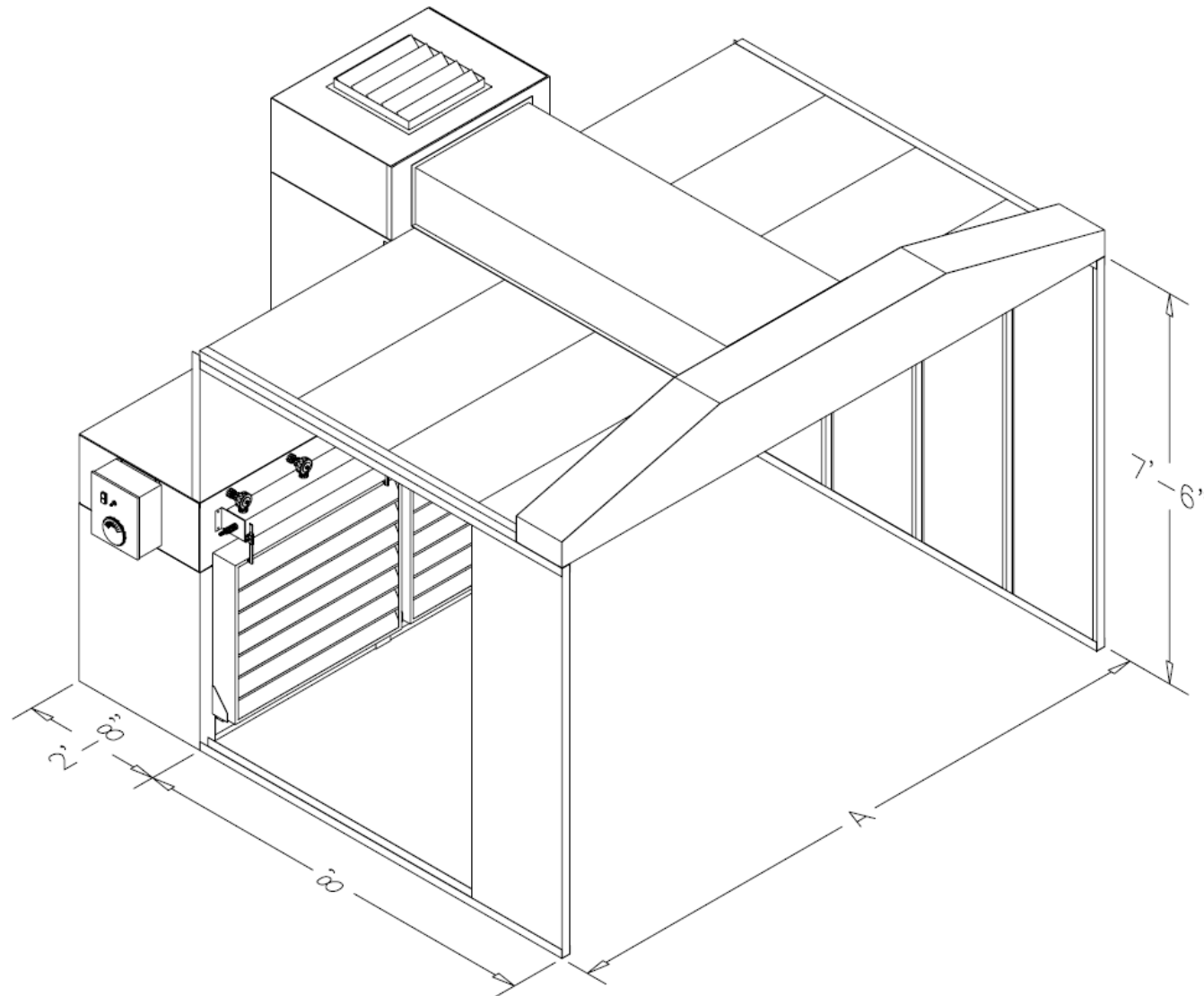


DUSTRON SERIES DUST CONTAINMENT BOOTH

The Dust Control Booth from the Industry Pioneers of Push/Pull Regain Air



Model	# of Cartridges	HP	Filter area (sq. ft.)	Dim. A
DB 8-12-7.5	12	7.5	3300	8'
DB 10-16-7.5	16	7.5	4400	10'
DB 12-18-15	18	15	4950	12'
DB 16-24-2X7.5	24	2 @ 7.5	6600	16'
DB 20-28-2X7.5	28	2 @ 7.5	7700	20'
DB 24-36-2X15	36	2 @ 15	9900	24'
DB 30-48-3X7.5	48	3 @ 7.5	13200	30'

SPECIFICATIONS:

1. Number of cartridges: 12 to 48
- Filter efficiency: 99.9% @ .5 microns and larger.
2. Cartridge size: 12.75" dia. X 30" = 275 sq. ft.
3. Total filter area = 3,300 to 13,200 sq. ft.
4. 230 / 460 v. TEFC direct drive motor.
5. Suction velocity: 150 FPM.
6. Regain velocity: Up to 400 to 800 FPM in the working zone.
7. Regain air adjustable: 0% TO 100%.
8. Magnehelic gauge.
9. Automatic self cleaning system.
10. Booth insulation: 2" fiberglass compressed to 1" thick, covered by a .5 MIL thick aluminized vinyl.
11. Lights: 4' flourescent fixtures with gasketed sealed covers.
12. Collector cabinet: heavy gauge carbon steel
13. Booth walls: 18 ga. galvanized steel.
14. Magnetic motor starter included.
15. Dust drawer capacity: 3 cubic feet ea.
16. Paint: Industrial spatter coat enamel (Gulf Blue)

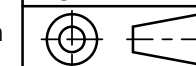
CUSTOMER:
CUSTOMER P.O.:
PROJECT:
ENGINEER:
SALES REP.:
IDENTIFICATION / TAGGING:

> www.lev-co.com • 1.888.862.5356

lev-co

The device depicted and described hereon embodies proprietary information owned by the manufacturer. All design, manufacturing, reproduction, sales and patent rights regarding this device or drawing reserved except where explicit right is guaranteed in writing. We reserve the right to make design changes.

Drawn by: Janos B
Date: 7/16/2010
Scale: NTS
Weight: N/A



(08-04)
F1-DB (Dustron)
Specification Drawing

Drawing No.: - File Name: (08-04) F1-DB (DUSTRON) - SD
Material: - Sheet: 1/1