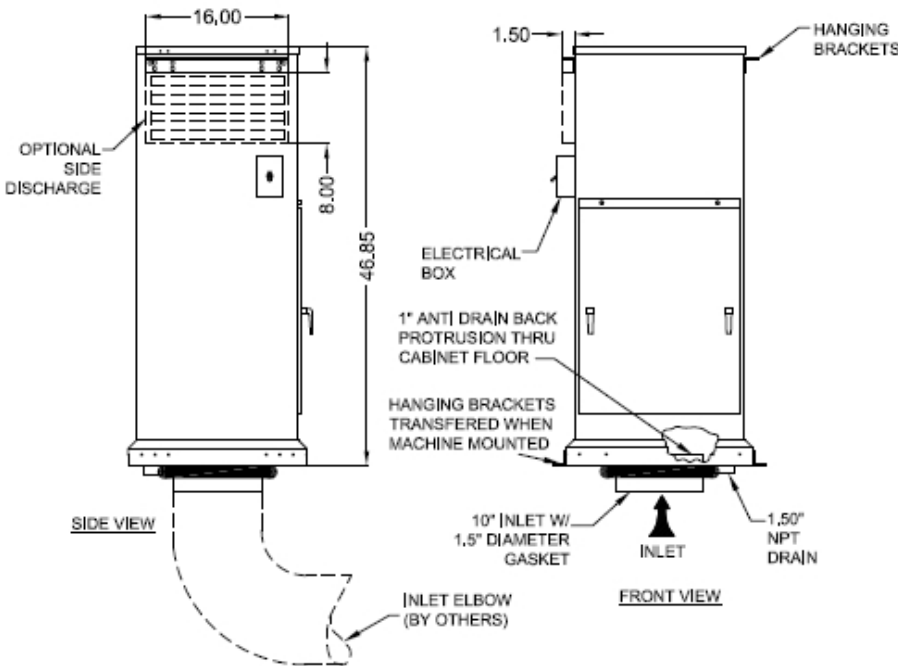


TOP VIEW



**SPECIFICATIONS:**

**CONSTRUCTION:** 18 Gauge steel cabinet finished with a Powder-Coat Finish, Includes Ultra-Seal filter mounting system, front access filter door, 2" sump which includes a 10" diameter bottom inlet with a 1.5" diameter gasket and a separate 1.50" NPT drain, built in exhaust silencer, on-off switch, and a 6' power cord (115V), 230/1 and 3 phase units wire to junction box. Circuit and motor overload protection by others.

**WEIGHT:** 150 lbs.

**AIRFLOW:** B.I. Blower: 1350 CFM

**ELECTRICAL:**

- 1.5 HP B.I., 115/230/1/60, 17.0/8.5 amps, std.
- 1.5 HP B.I., 208-230/460/3/60, 4.8-4.6/2.3 amps, opt.
- 1.5 HP B.I., 190/380/3/50, 5.8/2.9 amps, opt.
- 1 HP B.I., 115/230/1/60, 6.0/12.0 amps, opt.

**NOISE:** 75 dBA

**FILTER SEAL:** Ultra-Seal with positive seal filter locking mechanism for main filters.

**FIRE SUPPRESSION:** Equipment provided by others.

**PREFILTERS:**

- (1) 2" Aluminum mesh, std.
- (1) 2" Polyester pad, opt.

**MAIN FILTER:** (3) MistPlus Filters

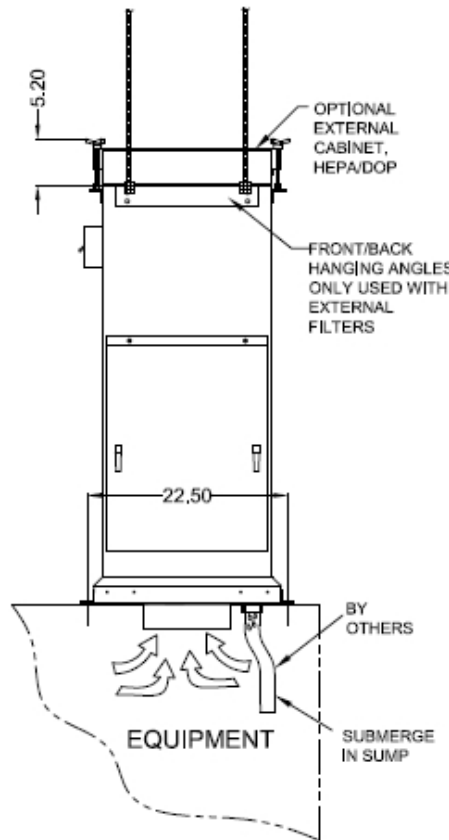
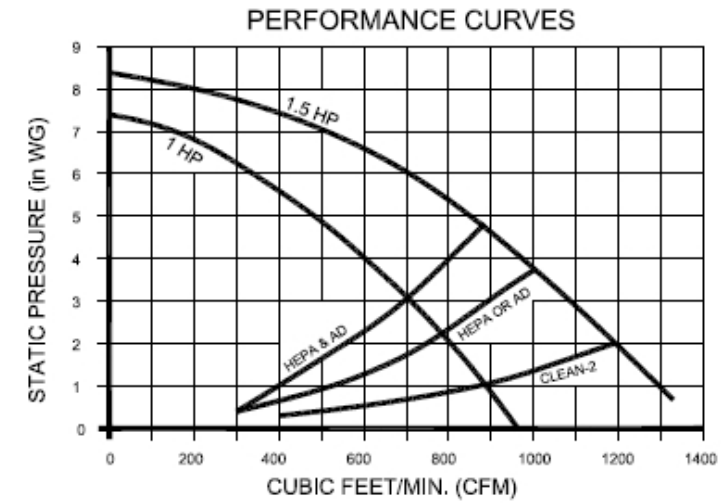
**UNIT EFFICIENCY:** 95% Minimum on U.N.C. Oil Mist Test

**AFTER FILTERS:**

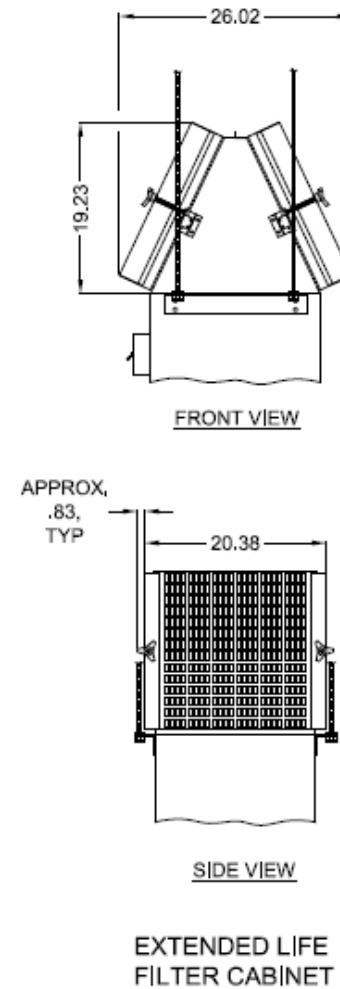
- (1) 99.97% HEPA, Ext. (825/1000 CFM) opt.
- (1) 95% D.O.P., Ext. (825/1000 CFM) opt.
- (1) AD Module, Ext. (825/1000 CFM) opt.

**OTHER OPTIONS:**

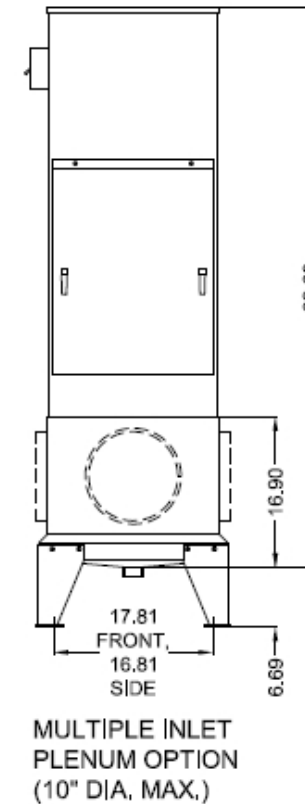
- Pressure gauge kit (Indicates filter changes.)
- 26" Stand
- 8" Stand
- Multiple Inlet plenum (stand ordered separately)
- Side discharge
- Extended Life Filters



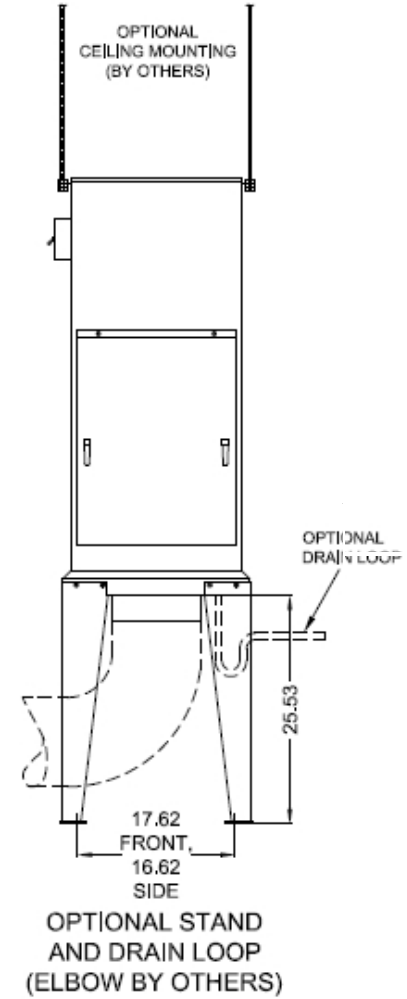
BASIC CONFIGURATION - EQUIPMENT MOUNTED



EXTENDED LIFE FILTER CABINET



MULTIPLE INLET PLENUM OPTION (10" DIA. MAX.)



OPTIONAL STAND AND DRAIN LOOP (ELBOW BY OTHERS)

11-05

CUSTOMER:	
CUSTOMER P.O.:	
PROJECT:	
ENGINEER:	
SALES REP.:	
IDENTIFICATION / TAGGING:	

[www.lev-co.com](http://www.lev-co.com) • 1.888.862.5356



The device depicted and described hereon embodies proprietary information owned by the manufacturer. All design, manufacturing, reproduction, sales and patent rights regarding this device or drawing reserved except where explicit right is guaranteed in writing. We reserve the right to make design changes.

Drawn by:	Janos B
Date:	5/1/2008
Scale:	NTS
Weight:	N/A

<b>11-05 MP14</b>	
<b>Mist Collector</b>	
Specification Drawing	
Drawing No.:	File Name: (11-05) MP14 - SD
Material:	Product manufactured by:
Sheet: 1/2	



## MODELS & OPTIONS

Part # Description

### Main System / Part

- MP14-1 MP14 industrial air cleaner with a 1.5 Hp TEFC motor 115-230/1/60 Hz
- MP14-2 MP14 industrial air cleaner with a 1.5 Hp TEFC motor 208-230/460/3/60 Hz
- MP14-3 MP14 industrial air cleaner with a 1.5 Hp TEFC motor 575-600/3/60 Hz

### Filter Options (when ordering main unit)

- MP14-2P 2" Polyester Pad Option for Standard MP14 Unit
- MP14-EXAD External Adsorber Module Option for Standard MP14 Unit
- MP14-EXDOP External 95% DOP Filter Option for Standard MP14 Unit
- MP14-EXHE External 99.97% HEPA Filter Option for Standard MP14 Unit
- MP14-EXHE/AD External 99.97% HEPA with external module, 25 lbs. capacity with 2" polyester after-filter 750 CFM. Order charcoal separately.
- MP14-HEPA-XL Extended Life HEPA is an "A" frame assembly with 2 each 99.97 HEPA vs 1 HEPA in the EXHE assembly, 1100 CFM.

### Preventative Maintenance Pressure Gauges, etc. (when ordering main unit)

- PG-10 0-10" magna-helic pressure gauge, approximately 5" diameter size. Surface mounted.
- PG-6 0-6" magna-helic pressure gauge, approximately 5" diameter size. Surface mounted.

### Sound Attenuation

- MP14-S-EXT External Silencer Option for Standard MP14 Unit

### Bridge Clamps

- MD-530-075-100 3" Ø Bridge Clamp. Clamping range of 70mm-90mm
- MD-530-100-100 4" Ø Bridge Clamp. Clamping range of 100mm-120mm
- MD-530-125-100 5" Ø Bridge Clamp. Clamping range of 120mm-140mm
- MD-530-150-100 6" Ø Bridge Clamp. Clamping range of 150mm-170mm
- MD-530-200-100 8" Ø Bridge Clamp. Clamping range of 200mm-220mm
- MD-530-250-100 10" Ø Bridge Clamp. Clamping range of 250mm-270mm
- MD-530-300-100 12" Ø Bridge Clamp. Clamping range of 300mm-320mm
- MD-530-350-100 14" Ø Bridge Clamp. Clamping range of 350mm-370mm
- MD-530-400-100 16" Ø Bridge Clamp. Clamping range of 400mm-420mm

### Hose Rings

- HR-3-OM 3" dia. Hose Ring to connect oil mist hose to CNC machine
- HR-4-OM 4" dia. Hose Ring to connect oil mist hose to CNC machine
- HR-5-OM 5" dia. Hose Ring to connect oil mist hose to CNC machine
- HR-6-OM 6" dia. Hose Ring to connect oil mist hose to CNC machine
- HR-8-OM 8" dia. Hose Ring to connect oil mist hose to CNC machine
- HR-10-OM 10" dia. Hose Ring to connect oil mist hose to CNC machine
- HR-12-OM 12" dia. Hose Ring to connect oil mist hose to CNC machine
- HR-14-OM 14" dia. Hose Ring to connect oil mist hose to CNC machine
- HR-16-OM 16" dia. Hose Ring to connect oil mist hose to CNC machine

Part # Description

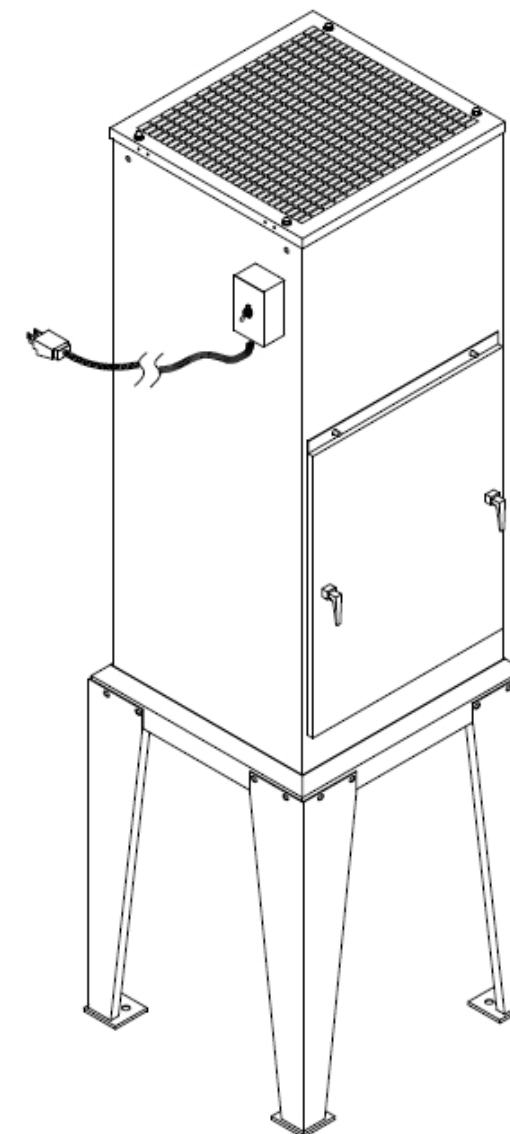
- MD-311-075-401 **Hose for Oil Mist**  
3" Ø Master Pur-SL Hose. Super lightweight polyester/polyurethane w/wire reinforcement. Very flexible and clear. Minimum 5 times wear life improvement over PVC and TPR. Price per ft. (10' Length Minimum)
- MD-311-100-401 4" Ø Master Pur-SL Hose. Super lightweight polyester/polyurethane w/wire reinforcement. Very flexible and clear. Minimum 5 times wear life improvement over PVC and TPR. Price per ft. (10' Length Minimum)
- MD-311-125-401 5" Ø Master Pur-SL Hose. Super lightweight polyester/polyurethane w/wire reinforcement. Very flexible and clear. Minimum 5 times wear life improvement over PVC and TPR. Price per ft. (10' Length Minimum)
- MD-311-150-401 6" Ø Master Pur-SL Hose. Super lightweight polyester/polyurethane w/wire reinforcement. Very flexible and clear. Minimum 5 times wear life improvement over PVC and TPR. Price per ft. (10' Length Minimum)
- MD-311-200-401 8" Ø Master Pur-SL Hose. Super lightweight polyester/polyurethane w/wire reinforcement. Very flexible and clear. Minimum 5 times wear life improvement over PVC and TPR. Price per ft. (10' Length Minimum)
- MD-311-250-401 10" Ø Master Pur-SL Hose. Super lightweight polyester/polyurethane w/wire reinforcement. Very flexible and clear. Minimum 5 times wear life improvement over PVC and TPR. Price per ft. (10' Length Minimum)
- MD-311-300-401 12" Ø Master Pur-SL-FG Hose. Super lightweight polyester/polyurethane w/wire reinforcement. Very flexible and clear. Minimum 5 times wear life improvement over PVC and TPR. Price per ft. (10' Length Minimum)
- MD-311-350-401 14" Ø Master Pur-SL Hose. Super lightweight polyester/polyurethane w/wire reinforcement. Very flexible and clear. Minimum 5 times wear life improvement over PVC and TPR. Price per ft. (10' Length Minimum)
- MD-311-400-401 16" Ø Master Pur-SL Hose. Super lightweight polyester/polyurethane w/wire reinforcement. Very flexible and clear. Minimum 5 times wear life improvement over PVC and TPR. Price per ft. (10' Length Minimum)

### Installation Accessories

- MP14-DL Drain Loop Kit Option for Standard MP14 Unit
- Tubing-3/4" 3/4" I.D. Clear Plastic Tubing. Priced per foot.
- MP-1.5DL 1.5" dia. Drain Loop kit c/w PVC pipe, fittings, ball valve and glue
- MP-SEAL Astroseal Sealant

### Installation Option & Accessories

- MP14-INLETPLENUM Multiple inlet premium bolts to bottom of unit. 10" dia. maximum inlet collar. (Add 12" to height)
- MP14-STAND 24 24" High Stand Option for Standard MP14 Unit
- MP14-STAND 8 8" High Stand Option for Standard MP14 Unit
- MP14-SIDE DISCHARGE Side Discharge. Left side looking at door ONLY
- MP14-IA Additional inlet collar, any size, per specification sheet.



11-05

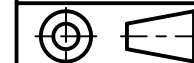
CUSTOMER:  
CUSTOMER P.O.:  
PROJECT:  
ENGINEER:  
SALES REP.:  
IDENTIFICATION / TAGGING:

> [www.lev-co.com](http://www.lev-co.com) • 1.888.862.5356

**lev-co**

The device depicted and described hereon embodies proprietary information owned by the manufacturer. All design, manufacturing, reproduction, sales and patent rights regarding this device or drawing reserved except where explicit right is guaranteed in writing. We reserve the right to make design changes.

Drawn by: Janos B  
Date: 5/1/2008  
Scale: NTS  
Weight: N/A



**11-05 MP14  
Mist Collector**  
Specification Drawing  
Drawing No.: - File Name: (11-05) MP14 - SD  
Material: Product manufactured by: **Airflow SYSTEMS INC.** Sheet: 2/2