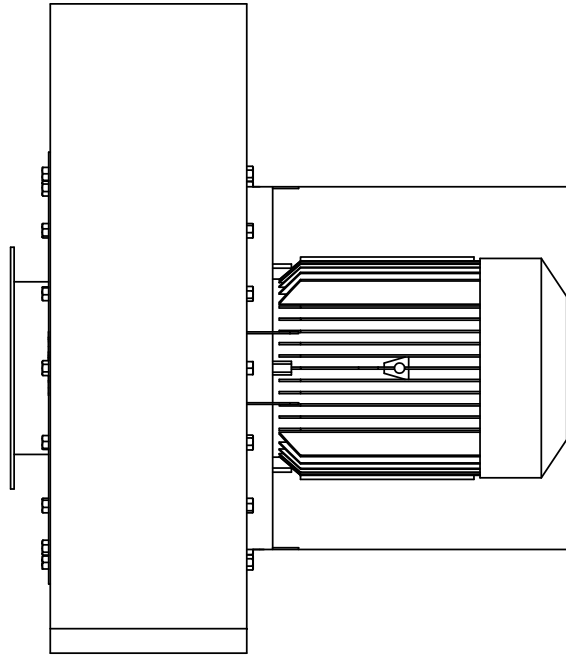
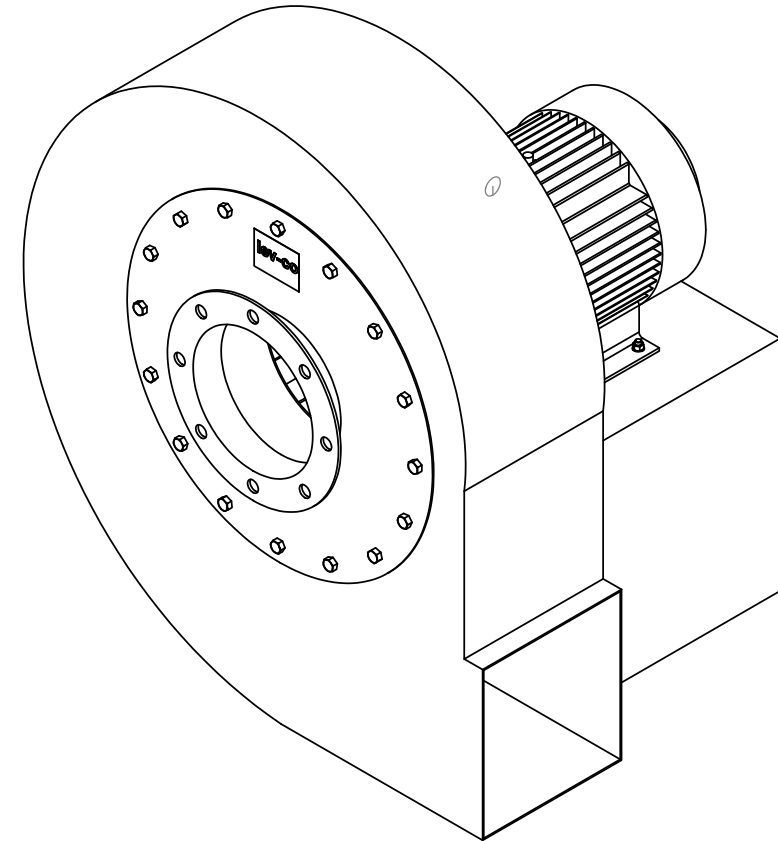


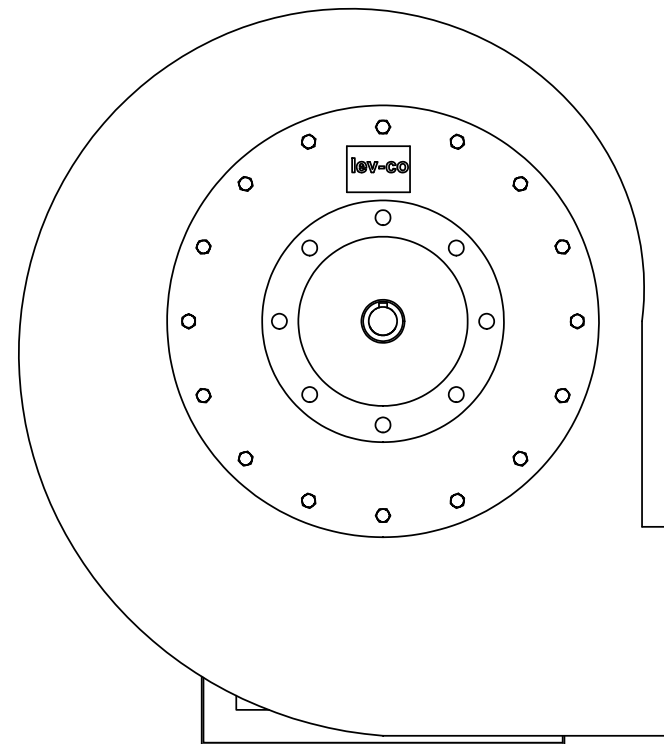
TOP VIEW



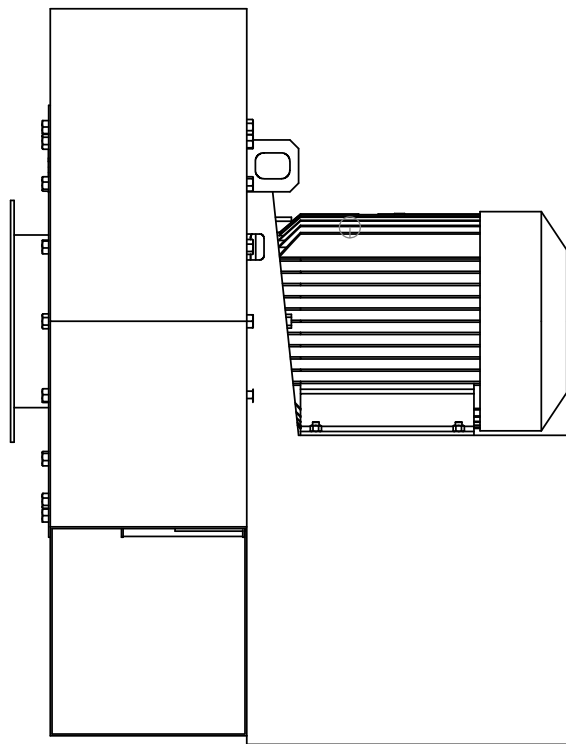
ISOMETRIC VIEW



FRONT VIEW



SIDE VIEW



13-035

CUSTOMER:
CUSTOMER P.O.:
PROJECT:
ENGINEER:
SALES REP.:
IDENTIFICATION / TAGGING:

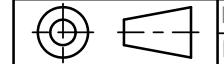
> [www.lev-co.com](http://www.lev-co.com) • 1.888.862.5356



The device depicted and described hereon embodies proprietary information owned by the manufacturer. All design, manufacturing, reproduction, sales and patent rights regarding this device or drawing reserved except where explicit right is guaranteed in writing. We reserve the right to make design changes.

Drawn by:	Janos B
Date:	9/3/2008
Scale:	NTS
Weight:	N/A

**13-035 Direct Drive Pressure Blowers**  
Specification Drawing



Drawing No.:	-	File Name:	(13-035) Direct Drive Pressure Blower
Material:	-	Sheet:	1/2

**MODELS & OPTIONS:**

**Main System / Part**

- [PW-08M](#) Direct Drive Pressure Blower 1/3 HP, Three Phase 208/230/460 Up to 295 CFM
- [PW-08P](#) Direct Drive Pressure Blower 1/3 HP, Three Phase 575 Up to 295 CFM
- [PW-08S](#) Direct Drive Pressure Blower 1/3 HP, Single Phase Up to 295 CFM
- [PW-09M](#) Direct Drive Pressure Blower 1/3 HP, Three Phase 208/230/460 Up to 525 CFM
- [PW-09P](#) Direct Drive Pressure Blower 1/3 HP, Three Phase 575 Up to 525 CFM
- [PW-09S](#) Direct Drive Pressure Blower 1/3 HP, Single Phase Up to 525 CFM
- [PW-11M](#) Direct Drive Pressure Blower 1 HP, Three Phase 208/230/460 Up to 800 CFM
- [PW-11P](#) Direct Drive Pressure Blower 1 HP, Three Phase 575 Up to 800 CFM
- [PW-11S](#) Direct Drive Pressure Blower 1 HP, Single Phase Up to 800 CFM
- [PW-12M](#) Direct Drive Pressure Blower 3 HP, Three Phase 208/230/460 Up to 1190 CFM
- [PW-12P](#) Direct Drive Pressure Blower 3 HP, Three Phase 575 Up to 1190 CFM
- [PW-12S](#) Direct Drive Pressure Blower 3 HP, Single Phase Up to 1190 CFM
- [PW-14M](#) Direct Drive Pressure Blower 5 HP, Three Phase 208/230/460 Up to 2280 CFM
- [PW-14P](#) Direct Drive Pressure Blower 5 HP, Three Phase 575 Up to 2280 CFM
- [PW-14S](#) Direct Drive Pressure Blower 5 HP, Single Phase Up to 2280 CFM

**SPECIFICATIONS:**

- **Wheels are constructed of heavy cast aluminum with straight radial blades.**
- **Wheels are self cleaning, dynamically balanced and designed for efficient operation.**
- **Welded 16 gauge steel housings and motor bases.**
- **TEFC motors are standard.**
- **Comes as clockwise rotation, bottom horizontal discharge (can be rotated at 45° increments).**

13-035

Model PW: Direct Drive Pressure Blowers																			
Model Number			H.P	Motor Frame	RPM	CFM @ Static Pressure													dBA @ 5ft
Single Phase	Three Phase 208/230/460	Three Phase 575				1"	1.5"	2"	2.5"	3"	3.5"	4"	5"	6"	7"	8"	9"	10"	
PW-08S	PW-08M	PW-08P	1/3	56	3600	295	265	230	200	165	125	-	-	-	-	-	-	-	74
PW-09S	PW-09M	PW-09P	1/3	56	3600	525	495	470	440	405	380	330	200	-	-	-	-	-	77
PW-11S	PW-11M	PW-11P	1	56	3600	800	770	740	705	680	640	600	500	400	300	-	-	-	84
PW-12S	PW-12M	PW-12P	3	182T	3600	1190	1160	1130	1100	1065	1030	1000	930	860	780	690	575	410	90
PW-14S	PW-14M	PW-14P	5	184T	3600	2280	2230	2180	2130	2070	2020	1960	1840	1720	1570	1400	1240	1080	92

\* Fan should not be run at static pressures less than shown in above table, motor overload will result. dBA ratings shown are measured at 0" static pressure, and should be used as a guideline only.

CUSTOMER:  
 CUSTOMER P.O.:  
 PROJECT:  
 ENGINEER:  
 SALES REP.:  
 IDENTIFICATION / TAGGING:



The device depicted and described hereon embodies proprietary information owned by the manufacturer. All design, manufacturing, reproduction, sales and patent rights regarding this device or drawing reserved except where explicit right is guaranteed in writing. We reserve the right to make design changes.

Drawn by: Janos B  
 Date: 9/3/2008  
 Scale: NTS  
 Weight: N/A

**13-035 Direct Drive Pressure Blowers**  
**Specification Drawing**  
 Drawing No.: -  
 File Name: (13-035) Direct Drive Pressure Blowers  
 Material: -  
 Sheet: 2/2