

SPECIFICATIONS

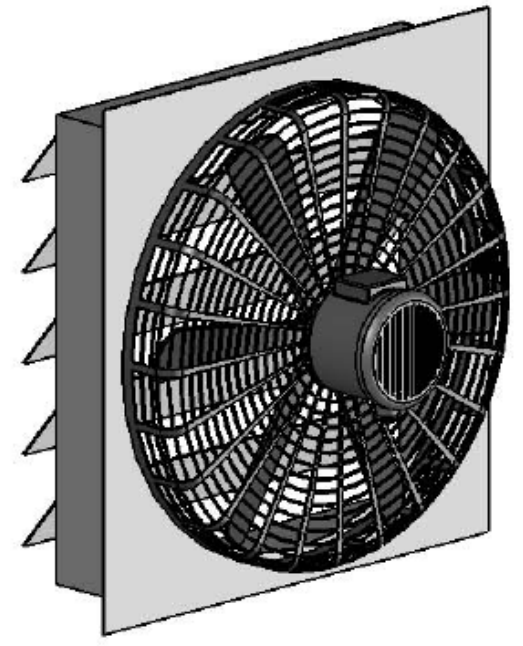
CONSTRUCTION: - Sturdily constructed from all-aluminum extrusions
 - Standard heavy duty OSHA motor mount/guard
 - Motors are totally enclosed, ball bearing with overload protection

DIMENSIONS (in inches):

MODEL #	A SQ.	B SQ.	C	Wall Opening
<input type="checkbox"/> AX12-1V	16 3/4	13 3/4	8	14 1/4
<input type="checkbox"/> AX14-1V	18 3/4	15 3/4	9	16 1/4
<input type="checkbox"/> AX16-1V	20 3/4	17 3/4	9	18 1/4
<input type="checkbox"/> AX18-1V	22 3/4	19 3/4	9	20 1/4
<input type="checkbox"/> AX20-1V	24 3/4	21 3/4	8 1/2	22 1/4
<input type="checkbox"/> AX24-1V	28 3/4	25 3/4	8 1/2	26 1/4

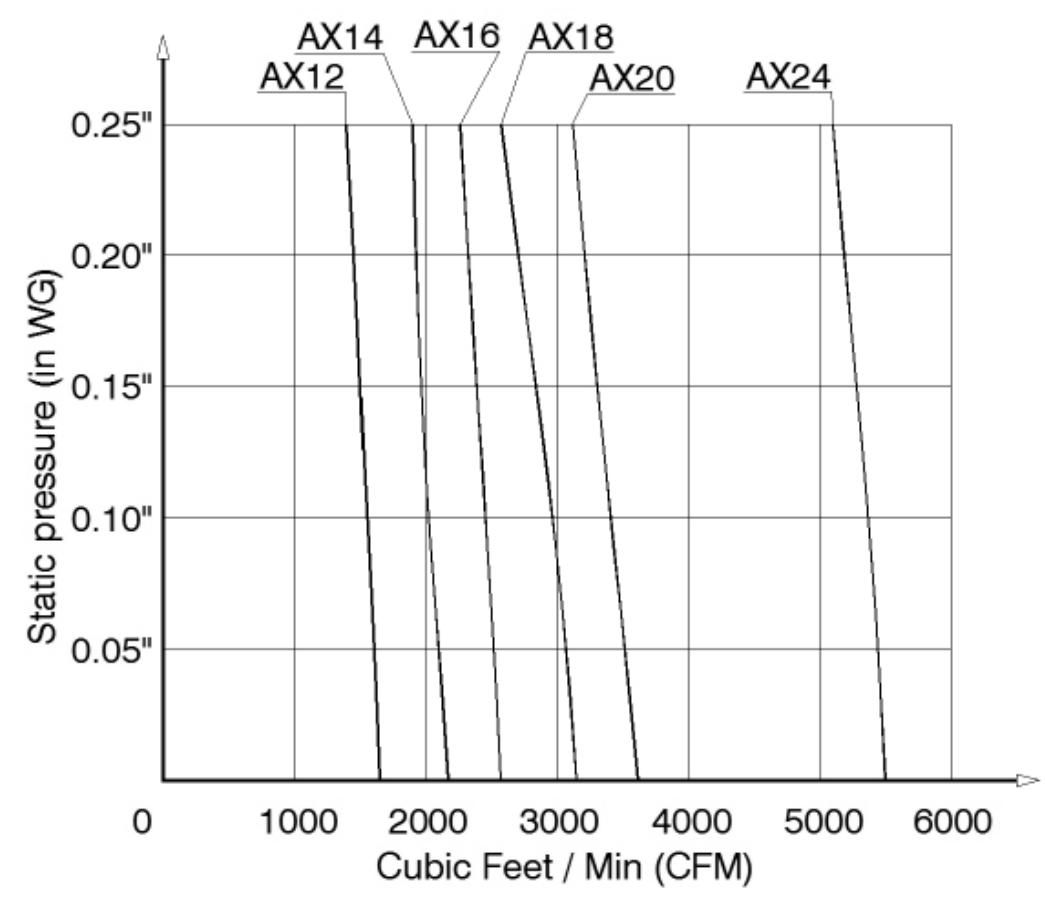
OPTIONS:

- Disconnect switch
- Speed control
- Galvanized weather hood
- Front guard
- Thermostatic control
- Specials



Standard Features

- Aluminum housing
- Plated steel OSHA motor mount/guard
- Single or variable speed operation
- Aluminum fan blades on steel hub
- Totally enclosed motors



Shutter Mounted Fans w OSHA Guard

Fan Number	Blade Dia.	RPM	H.P	Volts	Weight Lbs.
AX12-1V	12"	1700	1/4	115/230	26
AX14-1V	14"	1700	1/4	115/230	29
AX16-1V	16"	1700	1/4	115/230	30
AX18-1V	18"	1700	1/4	115/230	36
AX20-1V	20"	1700	1/3	115/230	39
AX24-1V	24"	1700	1/3	115/230	43

13-05

CUSTOMER:
CUSTOMER P.O.:
PROJECT:
ENGINEER:
SALES REP.:
IDENTIFICATION / TAGGING:

www.lev-co.com • 1.888.862.5356
 

The device depicted and described hereon embodies proprietary information owned by the manufacturer. All design, manufacturing, reproduction, sales and patent rights regarding this device or drawing reserved except where explicit right is guaranteed in writing. We reserve the right to make design changes.

Drawn by:	JANOS B
Date:	5/2/2008
Scale:	NTS
Weight:	N/A

13-05 AX1V Shutter Mounted Axial Fan	
Specification Drawing	
Drawing No.:	-
Material:	-
File Name:	(13-05) AX1V Shutter Mounted Ax
Sheet:	1/2

MODELS & OPTIONS:

Part # Description

Shutter mounted axial fans (Motor Starter not included)

- AX12-1V 1/4HP 1700RPM fan
 Model AX1V fans are sturdily constructed, direct drive, horizontal discharge for industrial, commercial and farm applications. Suitable for general ventilation of factories, garages, warehouses and other commercial and industrial buildings.
 Standard Features
 - Aluminum housing
 - Plated steel OSHA motor mount/guard
 - Single or variable speed operation
 - Aluminum fan blades on steel hub
 - Totally enclosed motors

- AX14-1V 1/4HP 1700RPM fan
 Model AX1V fans are sturdily constructed, direct drive, horizontal discharge for industrial, commercial and farm applications. Suitable for general ventilation of factories, garages, warehouses and other commercial and industrial buildings.
 Standard Features
 - Aluminum housing
 - Plated steel OSHA motor mount/guard
 - Single or variable speed operation
 - Aluminum fan blades on steel hub
 - Totally enclosed motors

- AX16-1V 1/4HP 1700RPM fan
 Model AX1V fans are sturdily constructed, direct drive, horizontal discharge for industrial, commercial and farm applications. Suitable for general ventilation of factories, garages, warehouses and other commercial and industrial buildings.
 Standard Features
 - Aluminum housing
 - Plated steel OSHA motor mount/guard
 - Single or variable speed operation
 - Aluminum fan blades on steel hub
 - Totally enclosed motors

- AX18-1V 1/4HP 1700RPM fan
 Model AX1V fans are sturdily constructed, direct drive, horizontal discharge for industrial, commercial and farm applications. Suitable for general ventilation of factories, garages, warehouses and other commercial and industrial buildings.
 Standard Features
 - Aluminum housing
 - Plated steel OSHA motor mount/guard
 - Single or variable speed operation
 - Aluminum fan blades on steel hub
 - Totally enclosed motors

Part # Description

- AX20-1V 1/3HP 1700RPM fan
 Model AX1V fans are sturdily constructed, direct drive, horizontal discharge for industrial, commercial and farm applications. Suitable for general ventilation of factories, garages, warehouses and other commercial and industrial buildings.
 Standard Features
 - Aluminum housing
 - Plated steel OSHA motor mount/guard
 - Single or variable speed operation
 - Aluminum fan blades on steel hub
 - Totally enclosed motors

- AX24-1V 1/3HP 1700RPM fan
 Model AX1V fans are sturdily constructed, direct drive, horizontal discharge for industrial, commercial and farm applications. Suitable for general ventilation of factories, garages, warehouses and other commercial and industrial buildings.
 Standard Features
 - Aluminum housing
 - Plated steel OSHA motor mount/guard
 - Single or variable speed operation
 - Aluminum fan blades on steel hub
 - Totally enclosed motors

Misc. Options

- D-SW Disconnect Switch
- GWH Galvanized weather hood
- FR-G Front guard
- SP-CTRL Speed control
- SPECS Special options
- TH-CTRL Thermal control

CUSTOMER:
CUSTOMER P.O.:
PROJECT:
ENGINEER:
SALES REP.:
IDENTIFICATION / TAGGING:


www.lev-co.com • 1.888.862.5356



The device depicted and described hereon embodies proprietary information owned by the manufacturer. All design, manufacturing, reproduction, sales and patent rights regarding this device or drawing reserved except where explicit right is guaranteed in writing. We reserve the right to make design changes.

Drawn by: JANOS B
Date: 5/2/2008
Scale: NTS
Weight: N/A

13-05 AX1V Shutter Mounted Axial Fan	
Specification Drawing	
Drawing No.: -	File Name: (13-05) AX1V Shutter Mounted Ax
Material: -	Sheet: 2/2