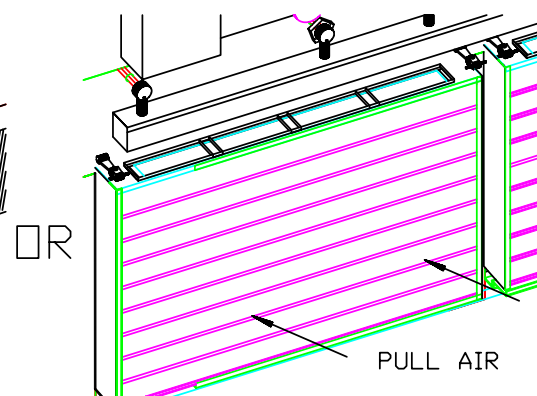


TEXAS TWISTER LOUVER
FOR HIGH SPARK USES



BLOCKER LOUVER STD.

SPECIFICATION:

1. NUMBER OF CARTRIDGES: 16
2. CARTRIDGE SIZE: 12.75" x 30"-275 SQ. FT.
3. TOTAL FILTER AREA: 4400 SQ. FT.
4. NUMBER OF DIAPHRAM VALVES: 8
5. NUMBER OF PILOT VALVES: 8
6. COMPRESSED AIR USED; .78 SCF/PULSE AT 100 PSI
7. AIR VOLUME: 10,000 CFM
8. BLOWER SIZE: 7.5 HP-230/460V-TEFC ON ISOLATED MOTOR MOUNTS.
9. AUTOMATIC TIMER OPERATED SELF CLEANING SYSTEM IN NEMA 12 ENCLOSURE.
10. MAGNEHELIC GUAGE FOR FILTER STATUS.
11. SUCTION (PULL AIR) VELOCITY: 150 FPM
12. REGAIN (PUSH AIR) VELOCITY: 400 FPM IN WORKING ZONE UP TO 12 FT. DEEP.
13. REGAIN AIR ADJUSTMENT DAMPER: 0% TO 100%
14. SOUND CONTROL: 2" FIBERGLASS-COMPRESSED AND QUILTED WITH 5 MIL WHITE VINYL IMPREGNATED FIBERGLASS CLOTH COVER. FLAME SPREAD AND SMOKE DEVELOPED RATING OF -5 & -5 ASTM DESIGNATION E-84-(70)
15. LIGHTS: FLOURESENT FIXTURES WITH GASKETED SEALED COVERS.
16. COLLECTOR CABINET 12 GAGE STEEL.
17. BOOTH WALLS 18 GAGE GALVANIZED STEEL.
18. MAGNETIC MOTOR STARTERS INCLUDED.
19. PAINT: ACRYLIC-GULF BLUE
20. WALLS, PLENUM AND RETURN AIR DUCTS ARE GALVANIZED METAL.
21. FILTER EFFICIENCY 99.9% AT .5 MICRONS AND LARGER.
22. DUST DRAWER CAPACITY: 3 CUBIC FEET EACH
23. CARTRIDGE MEDIA: FIRE RETARDANT WITH POLYPROPYLENE SPRAY MELT.

OPTIONS:

- STEEL GRINDING OR WELDING OR HIGH SPARKS
1. TEXAS TWISTER LOUVER
 2. HI-TEMPERATURE CUT-OFF
 3. FIRE SPRINKLER FITTING

OTHER OPTIONS:

1. OFF LINE CLEAN
2. COMPRESSED AIR FILTER-REGULATOR
3. ELECTRICAL DISCONNECT
4. OTHER CARTRIDGE MATERIAL

FILTER 1

2525 NATIONAL DR. PH:(972) 278-2664
GARLAND, TEXAS 75041 FAX:(972) 278-1810

DUSTRON BOOTH
DB-10-16-7.5

DRAWN BY: RES

DATE:

DRAWING # 62140