

SPECIFICATION:

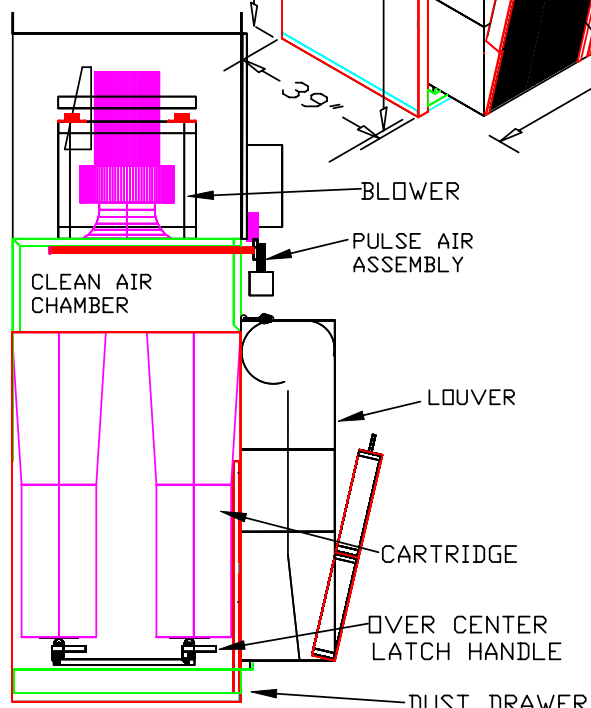
1. NUMBER OF CARTRIDGES: 24
2. CARTRIDGE SIZE: (12) ARE 12.75' x 26' LONG & (12) ARE 16'-12.75' DIA. x 26' LONG.
3. TOTAL FILTER AREA: 6240 SQ. FT.
4. NUMBER OF DIAPHRAM VALVES: 12
5. NUMBER OF PILOT VALVES: 12
6. COMPRESSED AIR USED: .78 SCF/PULSE AT 100 PSI
7. AIR VOLUME: 15,000 CFM@ 5' S.P.-17,000 CFM@ 3' S.P.
8. BLOWER SIZE: 20 HP-230/460V-TEFC ON ISOLATED MOTOR MOUNTS
9. AUTOMATIC TIMER OPERATED SELF CLEANING SYSTEM IN NEMA 12 ENCLOSURE.
10. MAGNEHELIC GAUGE FOR FILTER STATUS.
11. SUCTION (PULL AIR) VELOCITY: 200 FPM
12. REGAIN (PUSH AIR) VELOCITY: 400 FPM IN WORKING ZONE
13. REGAIN AIR ADJUSTMENT DAMPER: 0% TO 100%
14. COLLECTOR CABINET 12 GAGE STEEL.
15. MAGNETIC MOTOR STARTERS INCLUDED.
16. PAINT: ACRYLIC-GULF BLUE
17. PLENUM AND RETURN AIR DUCTS ARE GALVANIZED METAL.
18. FILTER EFFICIENCY 99.9% AT .5 MICRONS AND LARGER.
19. DUST DRAWER CAPACITY: 3 CUBIC FEET EACH
20. CARTRIDGE MEDIA: FIRE RETARDANT WITH POLYPROPYLENE SPRAY MELT.
21. PLENUM AND RETURN AIR DUCT IS GALVANIZED METAL.

OPTIONS:

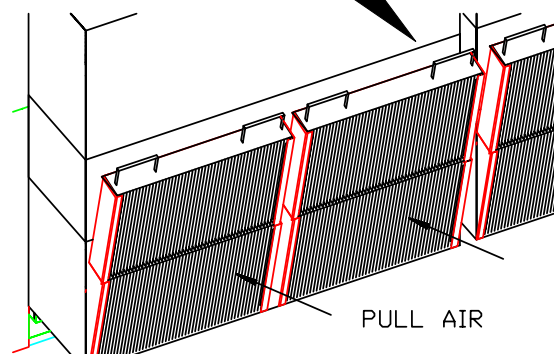
- STEEL GRINDING OR WELDING OR HIGH SPARKS
1. TEXAS TWISTER LOUVER
 2. HI-TEMPERATURE CUT-OFF
 3. FIRE SPRINKLER FITTING

OTHER OPTIONS:

1. OFF LINE CLEAN
2. COMPRESSED AIR FILTER-REGULATOR
3. ELECTRICAL DISCONNECT
4. OTHER CARTRIDGE MATERIAL



DUST COLLECTOR CROSS SECTION



TEXAS TWISTER LOUVER FOR HIGH SPARK USES

FILTER 1

2525 NATIONAL DR. PH:(972) 278-2664
GARLAND, TEXAS 75041 FAX:(972) 278-1810

DUSTRON BOOTH
DB-10-24-20R

DRAWN BY: RES
DATE:

DRAWING # 62232