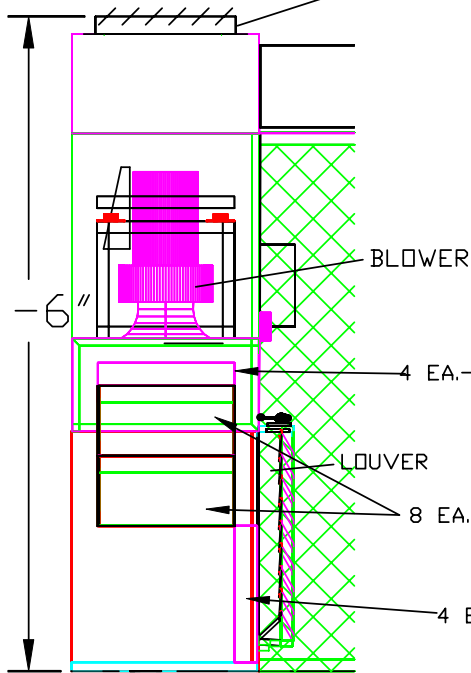


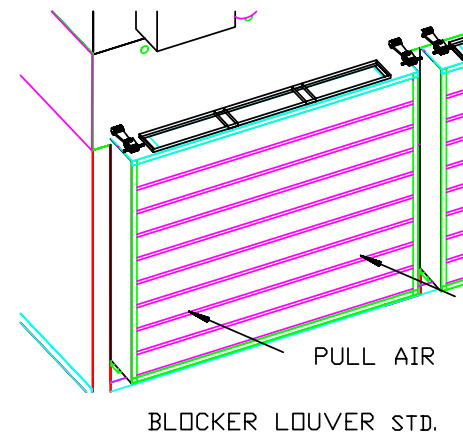
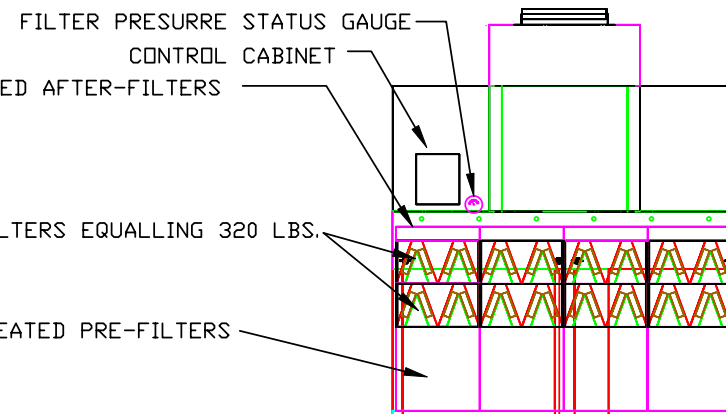
SPECIFICATION:

1. AIR VOLUME: 8000 CFM
2. BLOWER SIZE: 7.5 HP-230/460V-TEFC ON ISOLATED MOTOR MOUNTS.
3. MAGNEHELIC GUAGE FOR FILTER STATUS.
4. REGAIN AIR ADJUSTMENT DAMPER: 0% TO 100%
5. SOUND CONTROL: 2" FIBERGLASS-COMPRESSED AND QUILTED WITH 5 MIL WHITE VINYL IMPREGNATED FIBERGLASS CLOTH COVER. FLAME SPREAD AND SMOKE DEVELOPED RATING OF -5 & -5 ASTM DESIGNATION E-84-(70)
6. LIGHTS: FLOURESENT FIXTURES WITH GASKETED SEALED COVERS.
7. COLLECTOR CABINET 12 GAGE STEEL.
8. BOOTH WALLS 18 GAGE GALVANIZED STEEL.
9. MAGNETIC MOTOR STARTERS INCLUDED.
10. PAINT: ACRYLIC-GULF STREAM BLUE
11. WALLS, PLENUM AND RETURN AIR DUCTS ARE GALVANIZED METAL.

REGAIN AIR ADJUSTMENT DAMPER



DUST COLLECTOR CROSS SECTION



FILTER 1

2525 NATIONAL DR. PH:(972) 278-2664
GARLAND, TEXAS 75041 FAX:(972) 278-1810

DUSTRON BOOTH
FB-8-7.5

DRAWN BY: RES

DATE: 12-05-02

DRAWING # 62244