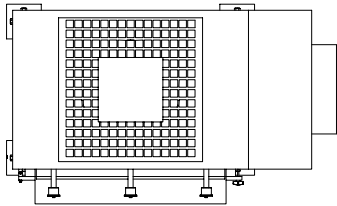
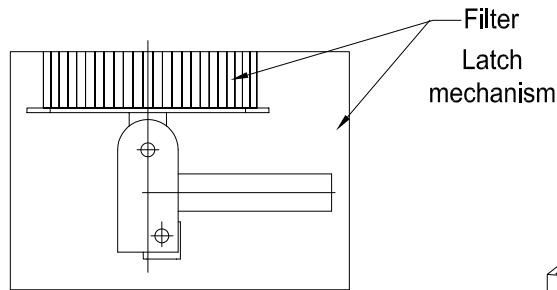


Top view

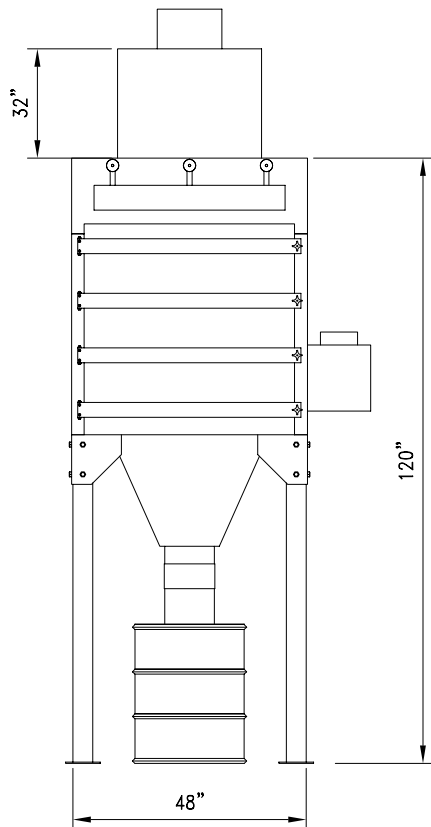


Filter latch mechanism detail (inside)

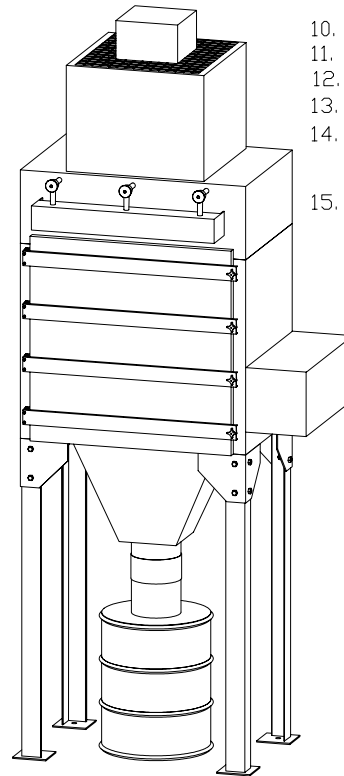
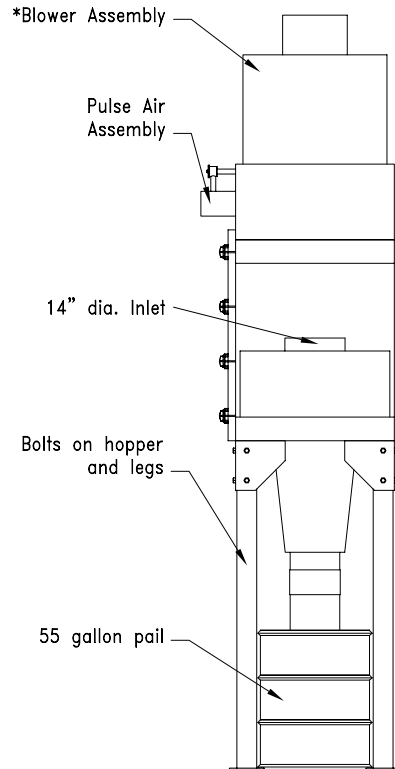


Filter Latch mechanism

Front view



Side view



SPECIFICATION:

1. NUMBER OF CARTRIDGES: 6
2. CARTRIDGE SIZE: 12.75" x 30"-260 SQ. FT.
3. TOTAL FILTER AREA: 1560 SQ. FT.
4. NUMBER OF DIAPHRAM VALVES: 3
5. NUMBER OF PILOT VALVES: 3
6. COMPRESSED AIR USED: .78 SCF/PULSE AT 100 PSI
7. AIR VOLUME: 4600 CFM @ 10" TSP
8. BLOWER SIZE: 10 HP-230/460/575V - TEFC ON ISOLATED MOTOR MOUNTS.
9. AUTOMATIC TIMER OPERATED SELF CLEANING SYSTEM IN NEMA 12 ENCLOSURE.
10. 55 GALLON PAIL, DRUM LID KIT
11. COLLECTOR CABINET 10 GAGE STEEL.
12. PAINT: ACRYLIC-GULF STREAM BLUE
13. FILTER EFFICIENCY 99.9% AT .5 MICRONS AND LARGER.
14. FILTER MEDIA IS A BLEND OF SYNTHETIC AND NATURAL FIBERS WITH A LAMINATION OF BLOW MELT POLYPROPYLENE AND U.L. CLASS 2 FIRE RETARDANT TREATMENT.
15. BOLT ON HOPPER AND LEGS.

Note: * Unit illustrated with direct blower

	THE LOCAL EXHAUST & VENTILATION COMPANY www.LEV-CO.com Sales@LEV-CO.com North America: Phone: 888.862.5356, Fax: 8668409923	
	The device depicted and described hereon embodies proprietary information owned by the manufacturer. All design, manufacturing, reproduction, sales and patent rights regarding this device or drawing reserved except where explicit right is guaranteed in writing. We reserve the right to make design changes.	Drawn by: AP Date: 1/14/04 Scale: NTS Weight:
Drawing No.: S-10082-00 File Name: S10082_00.dwg		Material: Sheet: 1/1