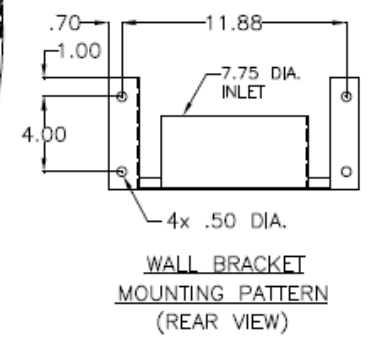
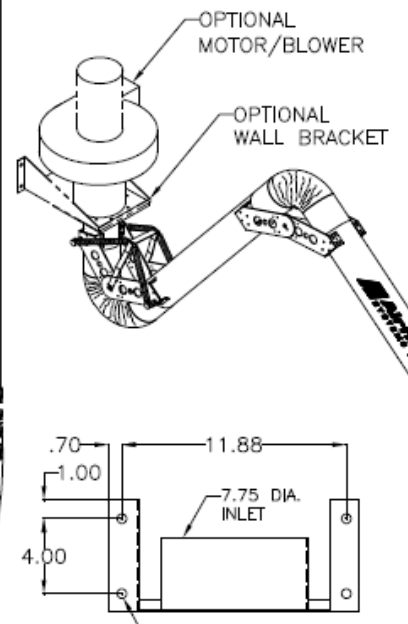
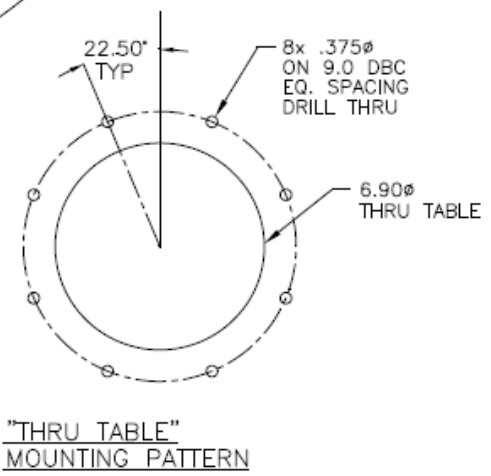


	7 FT (7A07)	10 FT (7A10)	14 FT (7A14)
L1	95	129.50	169.75
L2	49.50	66.75	86.25
H1	23	41	61
H2	49.25	67	86.75
R1	32.50	49.75	69.25
R2	46.25	64	83.75

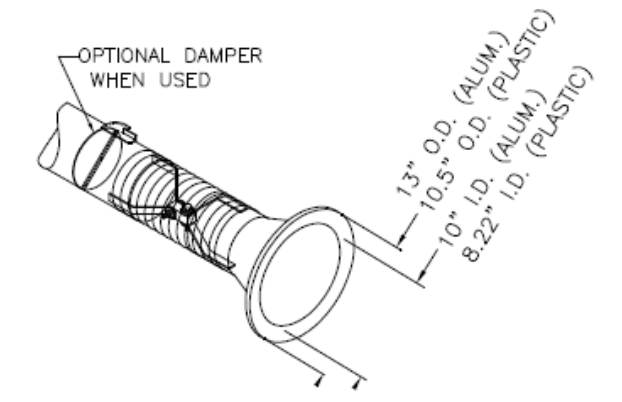
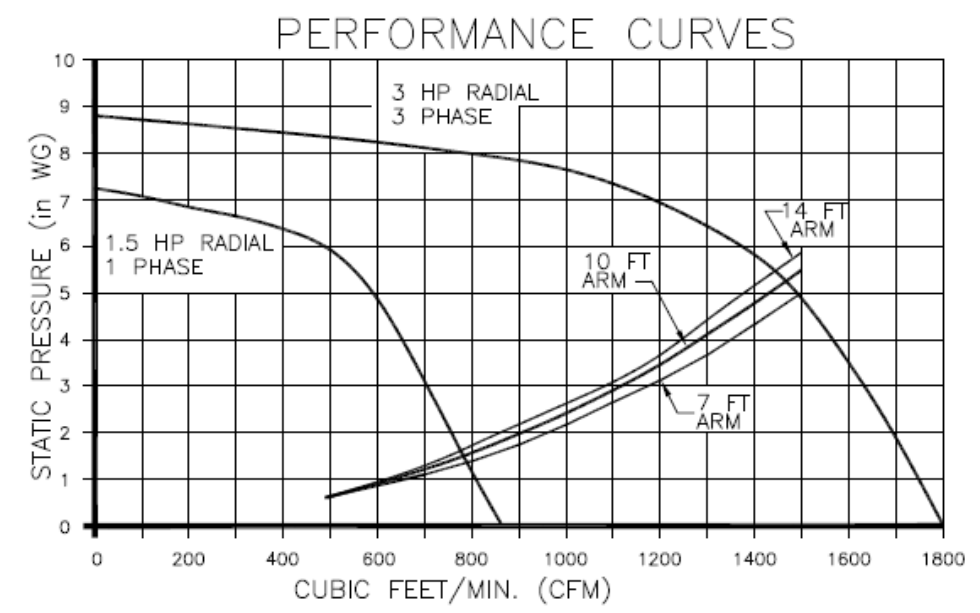
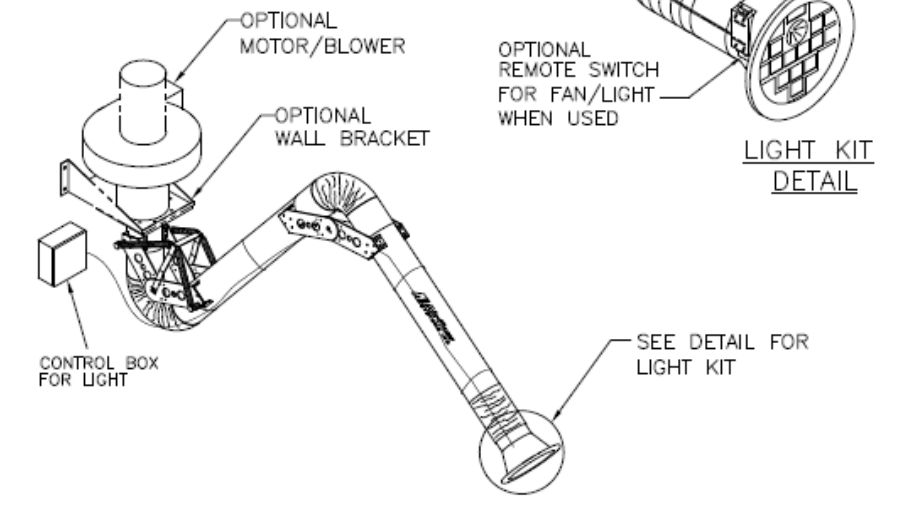


**SPECIFICATIONS:**

**CONSTRUCTION:** Aluminum tubes connected with a spiral flex duct (UL Rated). Heavy duty aluminum joints with patented friction release system at middle joint, spring balanced ring base joint and universal joint at flanged inlet hood.

**LENGTH-WEIGHT:**  
 7 ft. - 36 lbs.  
 10 ft. - 40 lbs.  
 14 ft. - 45 lbs.

**OPTIONS:**  
 Light Kit  
 Damper  
 Motor/Blower  
 Wall Bracket  
 Silencer  
 Boom Arms:



**NOTE: Wall Bracket must be ordered separately**

01-02

CUSTOMER:  
 CUSTOMER P.O.:  
 PROJECT:  
 ENGINEER:  
 SALES REP.:  
 IDENTIFICATION / TAGGING:

> [www.lev-co.com](http://www.lev-co.com) • 1.888.862.5356

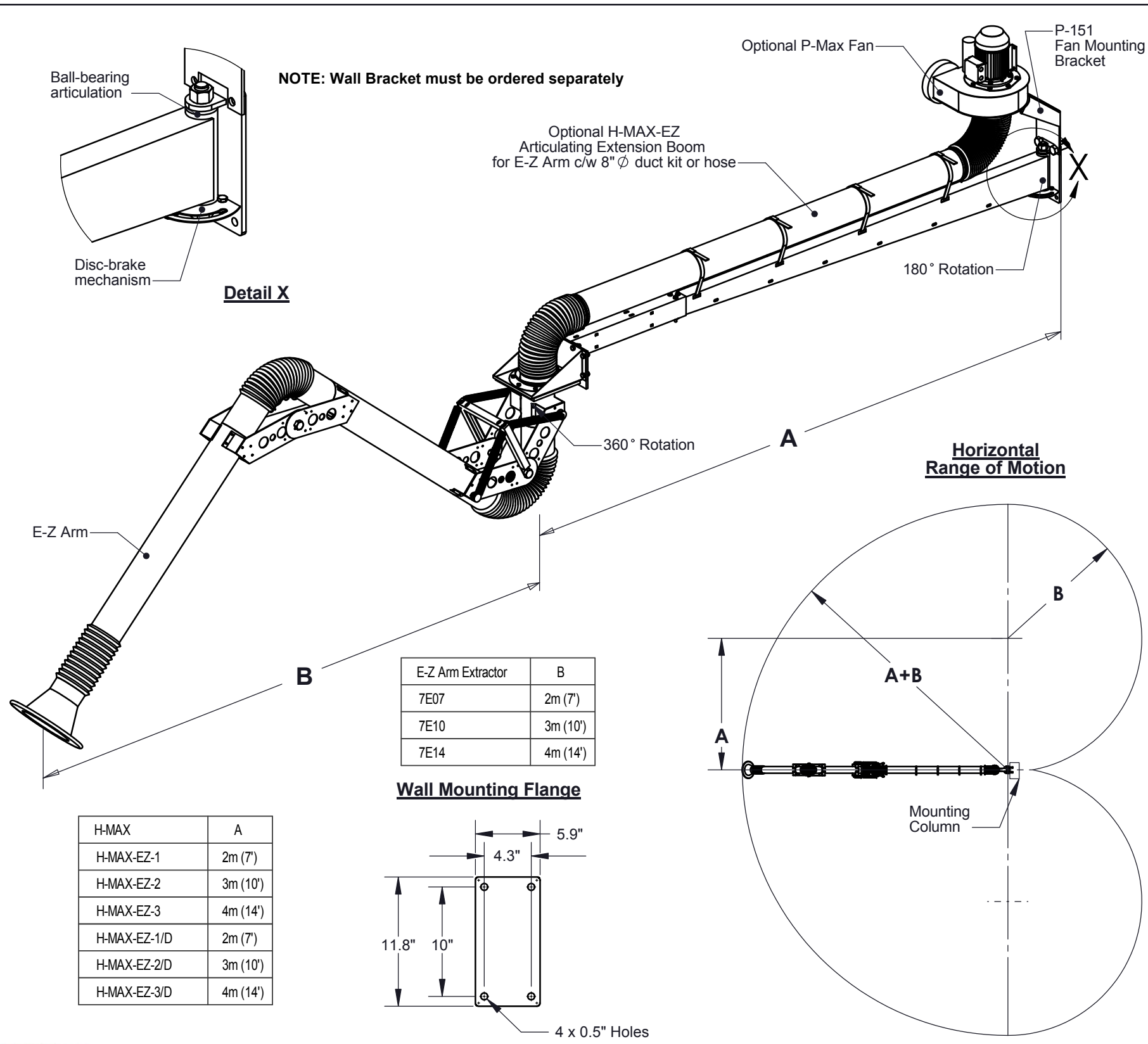


The device depicted and described hereon embodies proprietary information owned by the manufacturer. All design, manufacturing, reproduction, sales and patent rights regarding this device or drawing reserved except where explicit right is guaranteed in writing. We reserve the right to make design changes.

Drawn by: Dan  
 Date: 7/8/2011  
 Scale: NTS  
 Weight: N/A

**01-02 E-Z Arm Extraction Arm  
 7" Diameter  
 Specification Drawing**

Drawing No.: -  
 Material: -  
 File Name: E-Z Arm+H-Max+Fan - SD  
 Sheet: 1/2

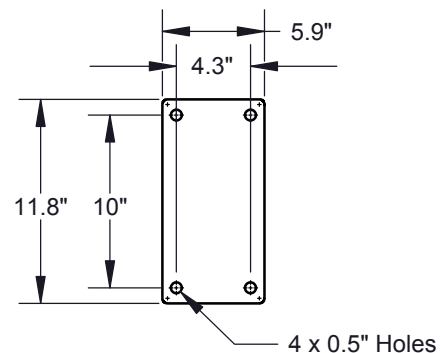


**NOTE: Wall Bracket must be ordered separately**

**Detail X**

E-Z Arm Extractor	B
7E07	2m (7')
7E10	3m (10')
7E14	4m (14')

**Wall Mounting Flange**



H-MAX	A
H-MAX-EZ-1	2m (7')
H-MAX-EZ-2	3m (10')
H-MAX-EZ-3	4m (14')
H-MAX-EZ-1/D	2m (7')
H-MAX-EZ-2/D	3m (10')
H-MAX-EZ-3/D	4m (14')

- Main System / Part**
- 7ES07 Stainless Steel High Flow EZ-ARM 175mm (7")Ø – 2m(7')L, food grade c/w wall bracket and damper
  - 7ES10 Stainless Steel High Flow EZ-ARM 175mm (7")Ø – 3m(10')L, food grade c/w wall bracket and damper
  - 7E07 High Flow EZ-ARM 175mm (7")Ø – 2m (7')L.
  - 7E10 High Flow EZ-ARM 175mm (7")Ø – 3m (10')L.
  - 7E14 High Flow EZ-ARM 175mm (7")Ø – 4m (14')L.
- P-152 Direct Mount Fans (Motor Starter not included)**
- P-152-2 P-Max® direct drive fan 2 HP 208-230/460/3/60
  - P-152-3 P-Max® direct drive fan 2 HP 575-600V/3/60
  - P-152-1 P-Max® direct drive fan 1.5 HP 115/230/1/60
- BI Direct Drive Fan (Motor Starter not included)**
- P-153-1 1.5 HP direct drive fan 115/1/60 with BI aluminum wheel with self cleaning blades, AMCA type B spark resistance construction (rated for 1200CFM@5" w.g.)
  - P-153-2 2 HP direct drive fan 208-230/460/3/60 with BI aluminum wheel with self cleaning blades, AMCA type B spark resistance construction (rated for 1200CFM@5" w.g.)
  - P-153-3 2 HP direct drive fan 575/3/60 with BI aluminum wheel with self cleaning blades, AMCA type B spark resistance construction (rated for 1200CFM@5" w.g.)
  - P-154-1 3 HP direct drive fan 208-230/460/3/60 with BI aluminum wheel with self cleaning blades, AMCA type B spark resistance construction (rated for 1800CFM@5.5" w.g.)
  - P-154-2 3 HP direct drive fan 575/3/60 with BI aluminum wheel with self cleaning blades, AMCA type B spark resistance construction (rated for 1800CFM@5.5" w.g.)
- H-Max Articulating Extension Boom for E-Z ARM**
- H-MAX-EZ-1 2m (6.5') H-MAX Boom Kit for E-Z Arms c/w hose.
  - H-MAX-EZ-1/D 2m (6.5') H-MAX Boom Kit for E-Z Arms c/w duct kit.
  - H-MAX-EZ-2 3m (10') H-MAX Boom Kit for E-Z Arms c/w hose.
  - H-MAX-EZ-2/D 3m (10') H-MAX Boom Kit for E-Z Arms c/w duct kit.
  - H-MAX-EZ-3 4m (13') H-MAX Boom Kit for E-Z Arms c/w hose.
  - H-MAX-EZ-3/D 4m (13') H-MAX Boom Kit for E-Z Arms c/w duct kit.
- Hose, Hood & Nozzle Options**
- EZ ARM-PLASTIC Plastic Hood Option for EZ Arm
  - EZ ARM-PLATE-8 8" Ring Plate Option for EZ Arm
  - EZ ARM-RG Rag Guard Option for EZ Arm
- Stanchions & Wall Brackets**
- PEZ-021 Ceiling/floor stanchion 1m (3.3') for E-Z ARM Extractors
  - PEZ-022 Ceiling/floor stanchion 2m (6.5') for E-Z ARM Extractors
  - PEZ-023 Ceiling/floor stanchion 3m (10') for E-Z ARM Extractors
- Fan, Light & Other Electrical Accessories**
- EZ ARM-LTK65 Light Kit, 65 Watt, 12 Volt w/Transformer Option for EZ Arm
  - EZ ARM-LK Light Kit 65 Watt 12 Volt w/ON/OFF Switch for Light Option for EZ Arm
  - EZ ARM-LTK76LB Light Kit, 65 Watt, w/Remote ON/OFF Switch for Unit & Light Option for EZ Arm
- Replacement filters - (Quantity discounts available upon request)**
- EZ ARM-DAMPER Air Flow Damper Option for EZ Arm
- Fan Mounting Brackets**
- P-765 P-Max fan mounting bracket for E-Z Arm.
  - WB-BI Wall Bracket Channels for P-153 and P-154

CUSTOMER:	
CUSTOMER P.O.:	
PROJECT:	
ENGINEER:	
SALES REP.:	
IDENTIFICATION / TAGGING:	

[www.lev-co.com](http://www.lev-co.com) • 1.888.862.5356



The device depicted and described hereon embodies proprietary information owned by the manufacturer. All design, manufacturing, reproduction, sales and patent rights regarding this device or drawing reserved except where explicit right is guaranteed in writing. We reserve the right to make design changes.

Drawn by:	Dan
Date:	7/8/2011
Scale:	NTS
Weight:	N/A

<b>01-02 E-Z Arm Extraction Arm</b>	
<b>7" Diameter</b>	
<b>Specification Drawing</b>	
Drawing No.:	-
Material:	-
File Name:	E-Z Arm+H-Max+Fan - SD
Sheet:	2/2