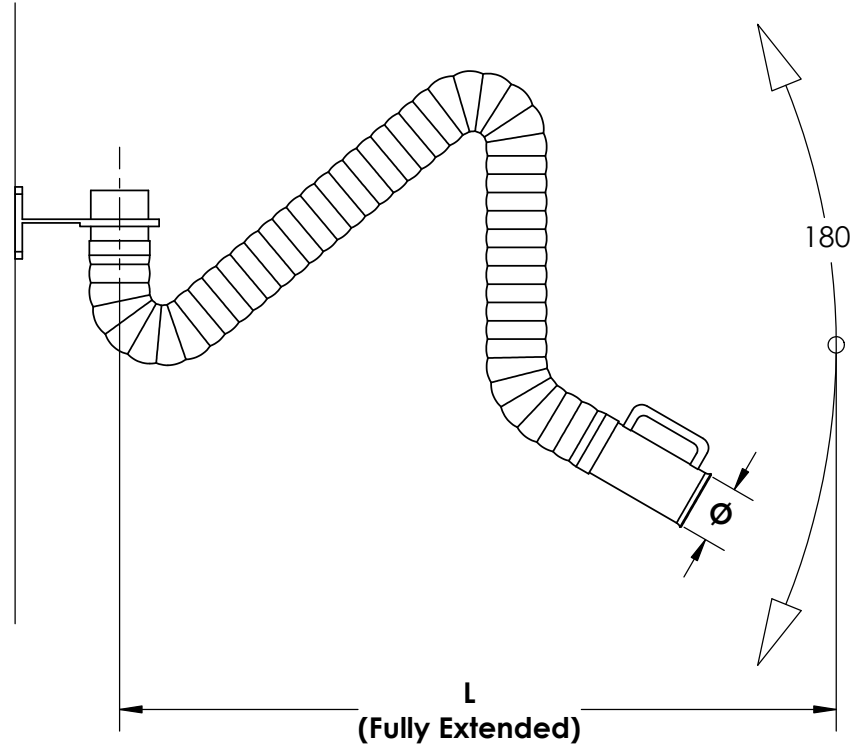
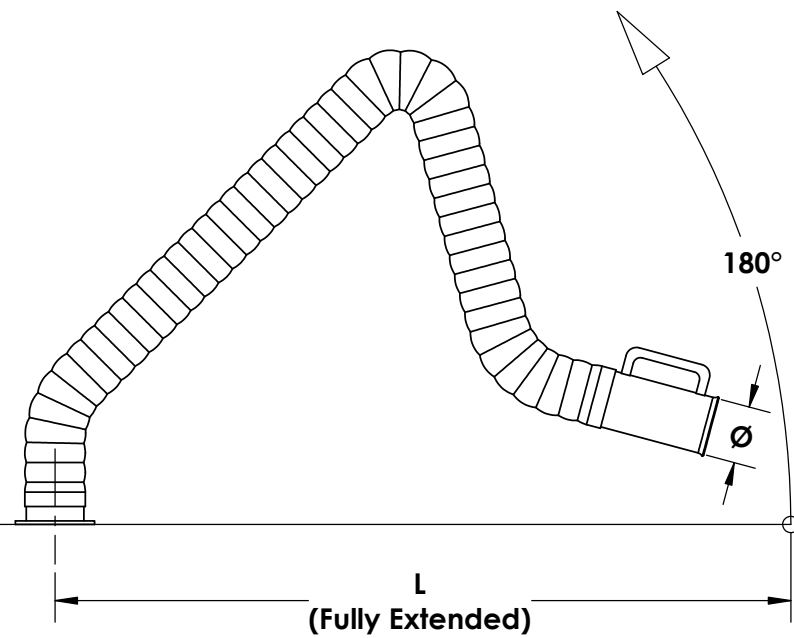
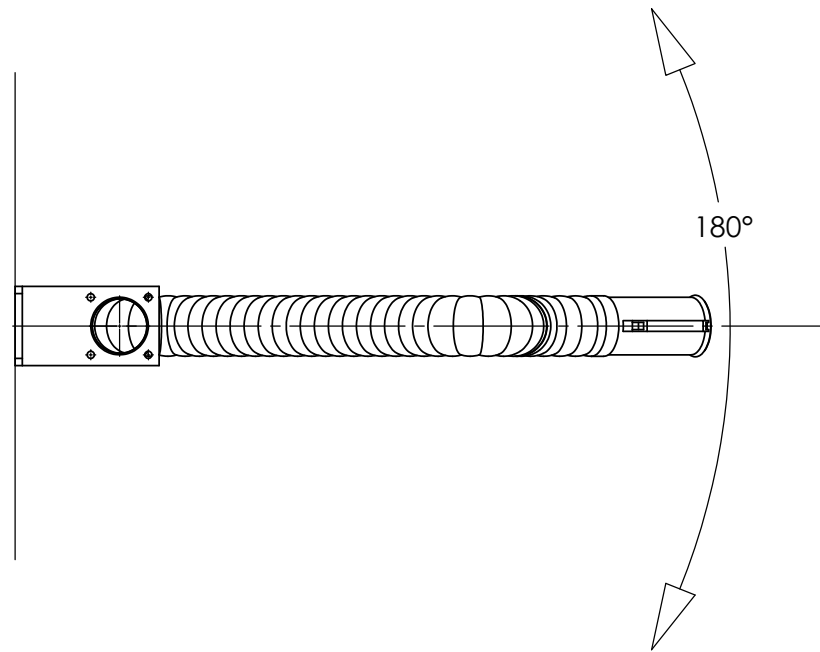
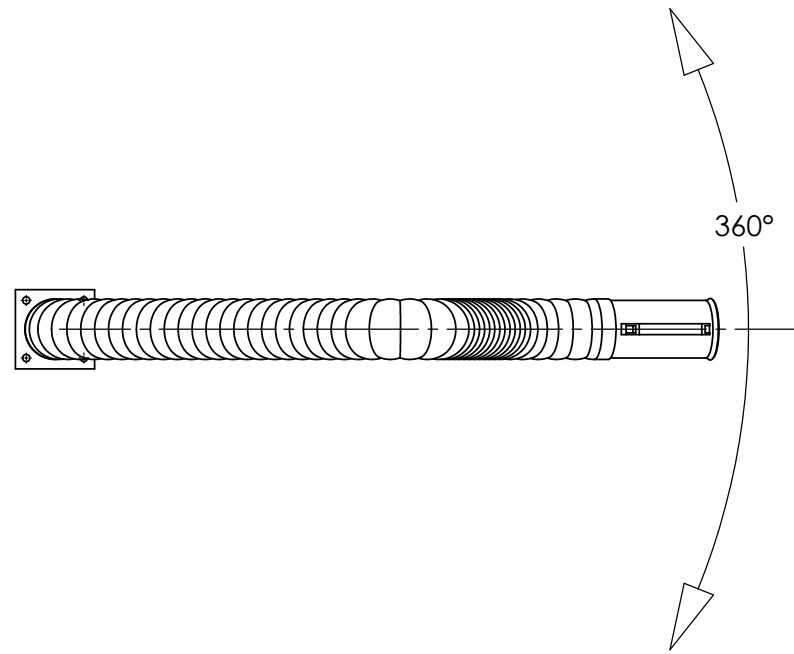


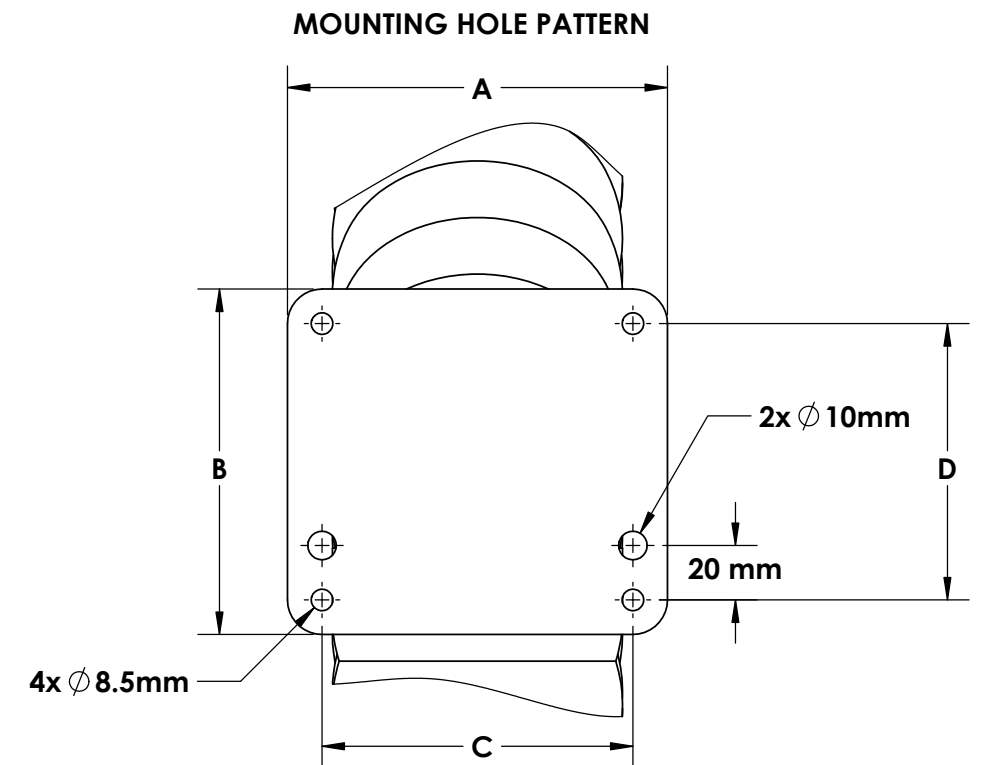
BENCH TOP mounting

WALL / CEILING mounting

MODELS AND OPTIONS:



	PART#	MOUNTING STYLE	Ø [in]	L [Ft]	A [mm]	B [mm]	C [mm]	D [mm]	C/W TABLE EDGE ADAPTER
<input type="checkbox"/>	L-0946	BENCH TOP	3	3	-	-	-	-	<input type="checkbox"/>
<input type="checkbox"/>	L-0056	BENCH TOP	3	4	-	-	-	-	<input type="checkbox"/>
<input type="checkbox"/>	L-0156	BENCH TOP	3	5	-	-	-	-	<input type="checkbox"/>
<input type="checkbox"/>	L-0646	WALL / CEILING	3	3	140	145	120	120	<input type="checkbox"/>
<input type="checkbox"/>	L-0746	WALL / CEILING	3	4	140	145	120	120	<input type="checkbox"/>
<input type="checkbox"/>	L-0846	WALL / CEILING	3	5	140	145	120	120	<input type="checkbox"/>
<input type="checkbox"/>	L-0656	BENCH TOP	4	3	-	-	-	-	<input type="checkbox"/>
<input type="checkbox"/>	L-0756	BENCH TOP	4	4	-	-	-	-	<input type="checkbox"/>
<input type="checkbox"/>	L-0856	BENCH TOP	4	5	-	-	-	-	<input type="checkbox"/>
<input type="checkbox"/>	L-0256	WALL / CEILING	4	3	170	150	150	120	<input type="checkbox"/>
<input type="checkbox"/>	L-0356	WALL / CEILING	4	4	170	150	150	120	<input type="checkbox"/>
<input type="checkbox"/>	L-0456	WALL / CEILING	4	5	170	150	150	120	<input type="checkbox"/>



CUSTOMER:
 CUSTOMER P.O.:
 PROJECT:
 ENGINEER:
 SALES REP.:
 IDENTIFICATION / TAGGING:

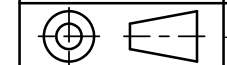
> www.lev-co.com • 1.888.862.5356

lev-co

The device depicted and described hereon embodies proprietary information owned by the manufacturer. All design, manufacturing, reproduction, sales and patent rights regarding this device or drawing reserved except where explicit right is guaranteed in writing. We reserve the right to make design changes.

Drawn by: Janos
 Date: 9/30/2015
 Scale: NTS
 Weight: N/A

**MINI-FLEX
 EXTRACTION ARM**
 Specification Drawing



Drawing No.: -
 Material: -
 File Name: (01-099) Mini-FLEX - SD
 Sheet: 1/1