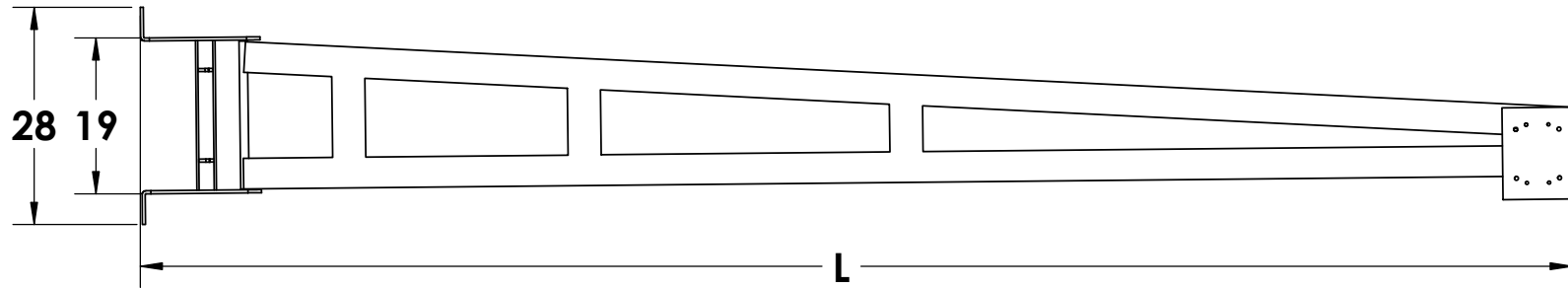
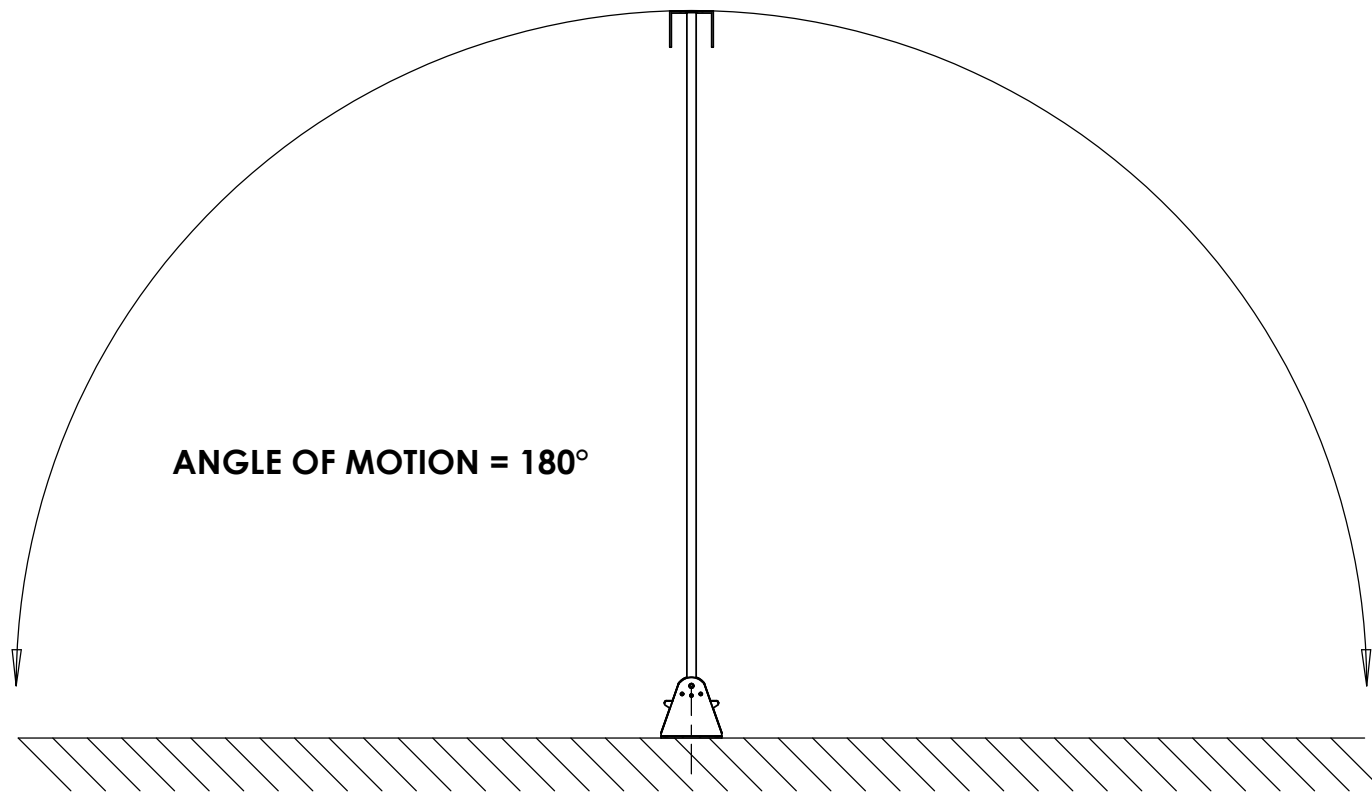


### SIDE VIEW



### TOP / BOTTOM VIEW

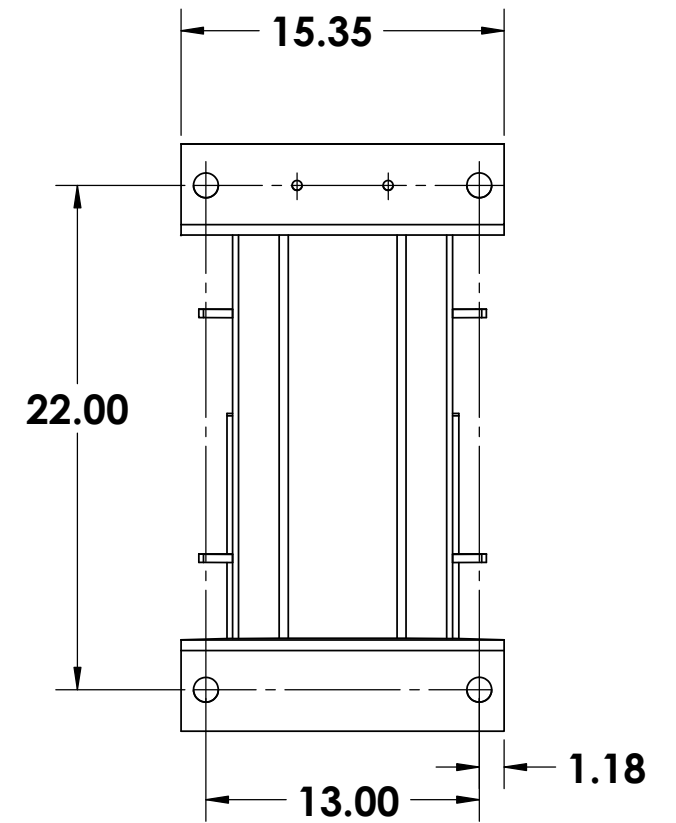


### MODELS & OPTIONS:

- | Part #                    | Description   |
|---------------------------|---|
| <b>Main System / Part</b> |   |
| <input type="checkbox"/>  | P-195/D-6-250 3m (10') HERCULIAN Articulating Extension Boom c/w 6" dia 250 deg (F) hose & duct kit   |
| <input type="checkbox"/>  | P-194/D-6-250 2m (6.5') HERCULIAN Articulating Extension Boom c/w 6" dia 250 deg (F) hose & duct kit  |
| <input type="checkbox"/>  | P-190/D-6-250 4m (13.5') HERCULIAN Articulating Extension Boom c/w 6" dia 250 deg (F) hose & duct kit |
| <input type="checkbox"/>  | P-194/D-6-600 2m (6.6') HERCULIAN Articulating Extension Boom c/w 6" dia 600 deg (F) hose & duct kit  |
| <input type="checkbox"/>  | P-195/D-6-600 3m (10') HERCULIAN Articulating Extension Boom c/w 6" dia 600 deg (F) hose & duct kit   |
| <input type="checkbox"/>  | P-190/D-6-600 4m (13.5') HERCULIAN Articulating Extension Boom c/w 6" dia 600 deg (F) hose & duct kit |

BOOM MODEL	L
P-194	2m (6.5')
P-195	3m (10')
P-190	4m (13.5')

### END VIEW



01-10

CUSTOMER:  
 CUSTOMER P.O.:  
 PROJECT:  
 ENGINEER:  
 SALES REP.:  
 IDENTIFICATION / TAGGING:

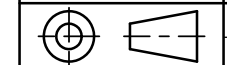
> [www.lev-co.com](http://www.lev-co.com) • 1.888.862.5356

**lev-co**

The device depicted and described hereon embodies proprietary information owned by the manufacturer. All design, manufacturing, reproduction, sales and patent rights regarding this device or drawing reserved except where explicit right is guaranteed in writing. We reserve the right to make design changes.

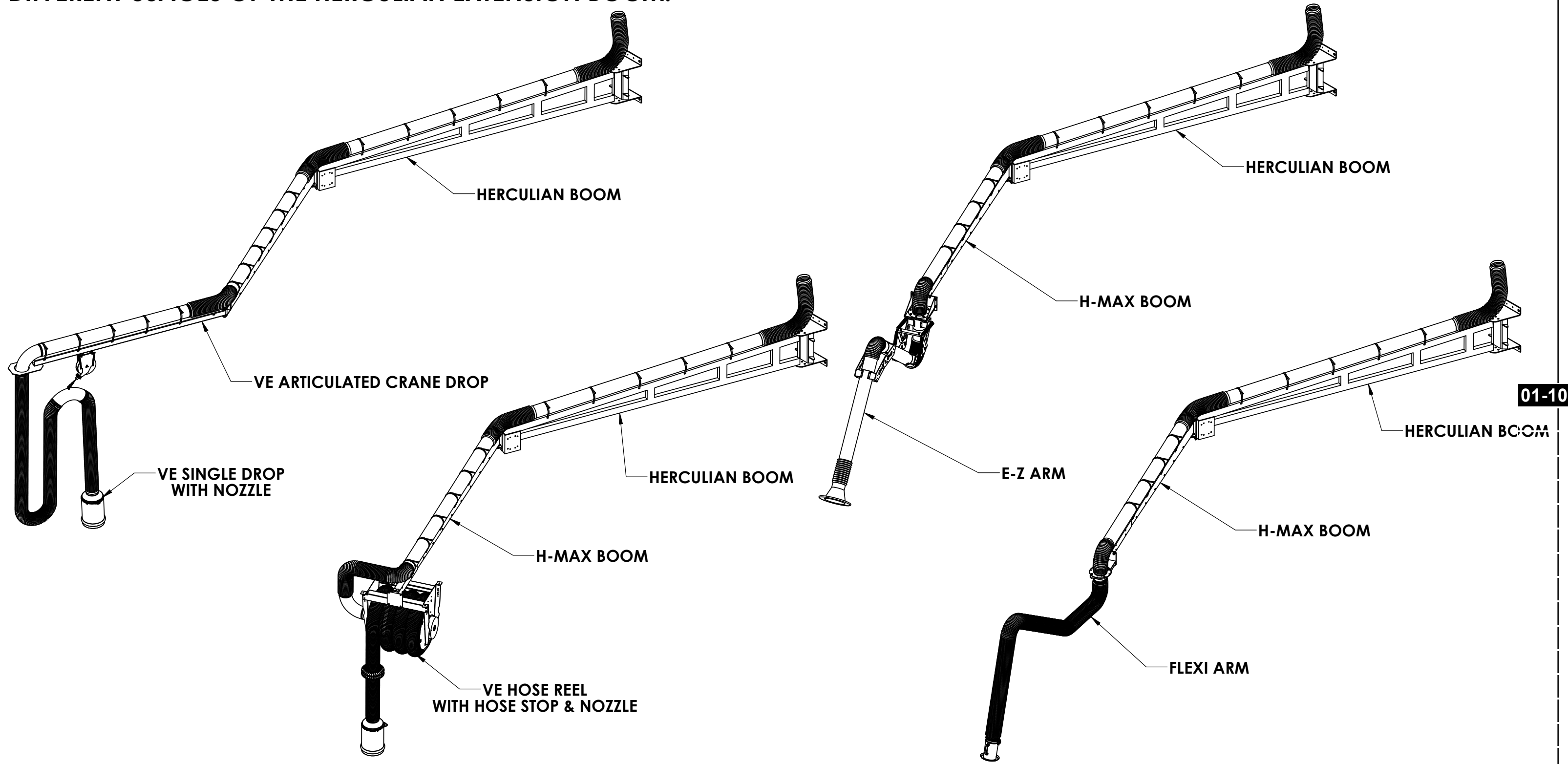
Drawn by: Janos B  
 Date: 11/8/2013  
 Scale: NTS  
 Weight: N/A

**01-10 HERCULIAN  
 Articulating Extension Boom  
 Specification Drawing**



Drawing No.: -  
 Material: -  
 File Name: (01-10) Herculan Articulating Ext  
 Sheet: 1/2

**DIFFERENT USAGES OF THE HERCULIAN EXTENSION BOOM:**



CUSTOMER:
CUSTOMER P.O.:
PROJECT:
ENGINEER:
SALES REP.:
IDENTIFICATION / TAGGING:

[www.lev-co.com](http://www.lev-co.com) • 1.888.862.5356



The device depicted and described hereon embodies proprietary information owned by the manufacturer. All design, manufacturing, reproduction, sales and patent rights regarding this device or drawing reserved except where explicit right is guaranteed in writing. We reserve the right to make design changes.

Drawn by:	Janos B
Date:	11/8/2013
Scale:	NTS
Weight:	N/A

<b>01-10 HERCULIAN Articulating Extension Boom</b>	
Specification Drawing	
Drawing No.: -	File Name: (01-10) Herculan Articulating Ext
Material: -	Sheet: 2/2