

TECHNICAL DATA PAF-5-7

Hose

Dimension Ø 125 mm
 Quality Non-inflammable PVC
 Temperature range... -10°C to +90° C

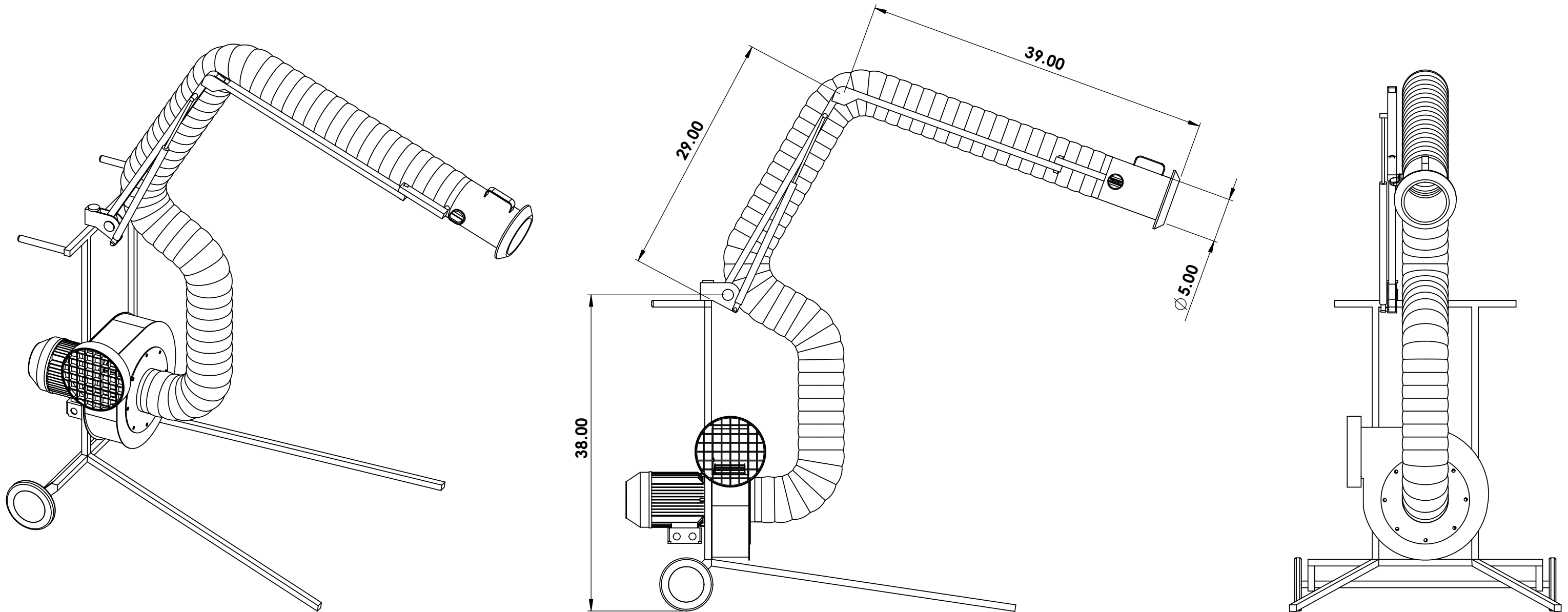
Fan

Motor 240 V / 50 Hz 1-phase 0,55 kW
 Airflow 800-900 m³/h (max) 222-250 l/s
 Sound level..... 60 dB(A)

Other

Working radius..... 2 m
 Cable..... 5 m
 Weight..... 35 kg
 Sheet metal details... Powder coated

Equipped with a protective motor switch



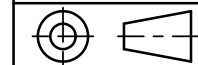
CUSTOMER:
 CUSTOMER P.O.:
 PROJECT:
 ENGINEER:
 SALES REP.:
 IDENTIFICATION / TAGGING:

> www.lev-co.com • 1.888.862.5356



The device depicted and described hereon embodies proprietary information owned by the manufacturer. All design, manufacturing, reproduction, sales and patent rights regarding this device or drawing reserved except where explicit right is guaranteed in writing. We reserve the right to make design changes.

Drawn by: Janos B
 Date: 3/26/2014
 Scale: NTS
 Weight: N/A



PAF-5-7
Specification Drawing
 Drawing No.: - | File Name: PAF-5-7 - SD
 Material: - | Sheet: 1/1