

SPECIFICATIONS:

CONSTRUCTION: 20 Gauge steel cabinet painted glossy white with lift off top to access filters, B.I. blower housed in blower sound chamber with acoustic foam for reduced noise, outlet grille, on/off switch with running light, and power cord; (4) 2" swivel casters, 4" outlet collar, 5 ft. of 3" duct, 3" plastic hood, and hose/hood support bracket packaged separately.

WEIGHT: 45 lbs.
AIRFLOW: 80 CFM
NOISE: 67 dBA @ 5'

ELECTRICAL: 115V, 50/60 Hz, 100 watt, .85 amps, std.
 115V, 50/60 Hz, 200 watt, 1.65 amps, optional
 220V, 50/60 Hz, 100 watt, optional
 220V, 50/60 Hz, 200 watt, optional

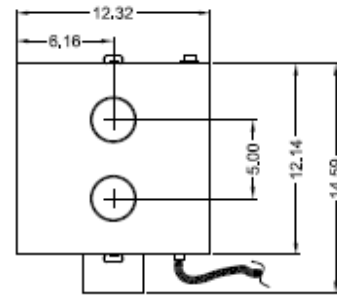
PREFILTERS: (1) 1" 30% pleat, std.

MAIN FILTERS: (1) 4" HEPA 99.97%, std.
 (1) 4" 95% pleat, opt.

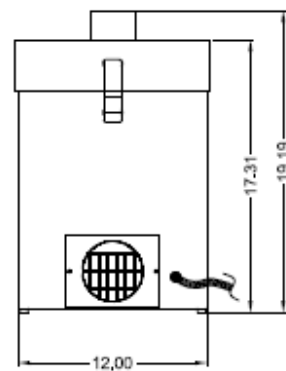
AFTER FILTERS: (1) 1" charcoal, 50% fill, std.

OPTIONS: (1) 2.5" arm
 (2) 2.5" arms
 4" hose (outlet duct)
 HI Flow Blower

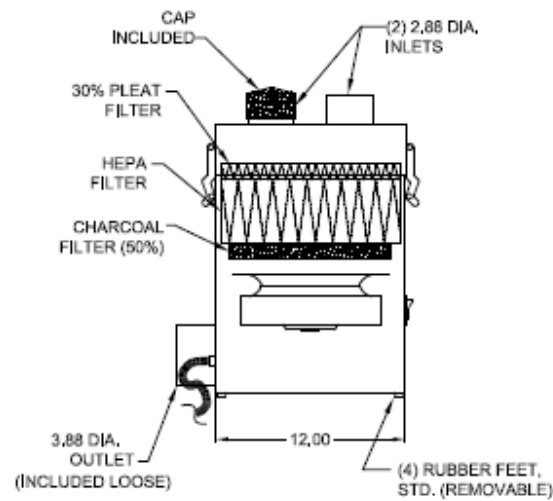
FIRE SUPPRESSION: Equipment provided by others.



TOP VIEW

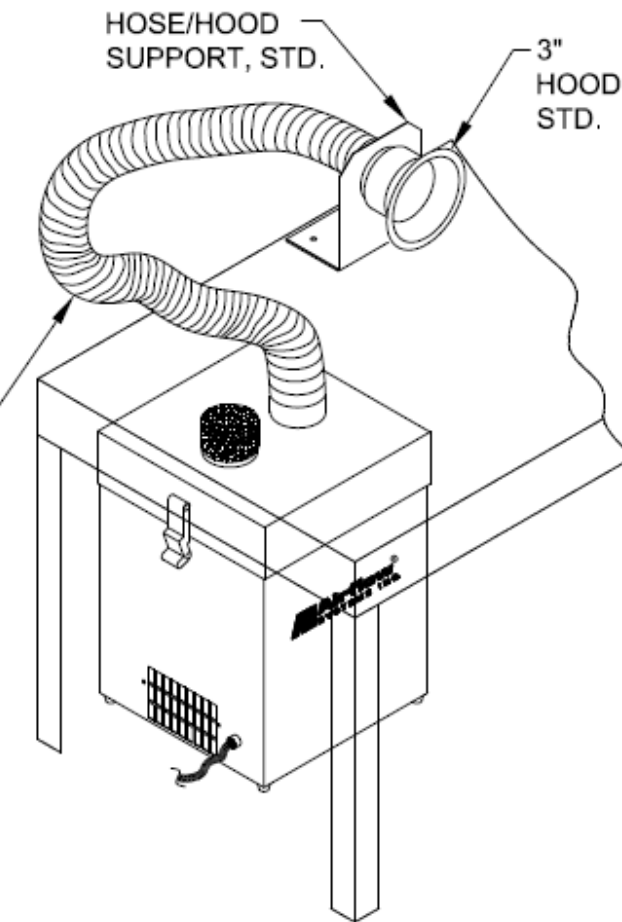


LEFT SIDE VIEW



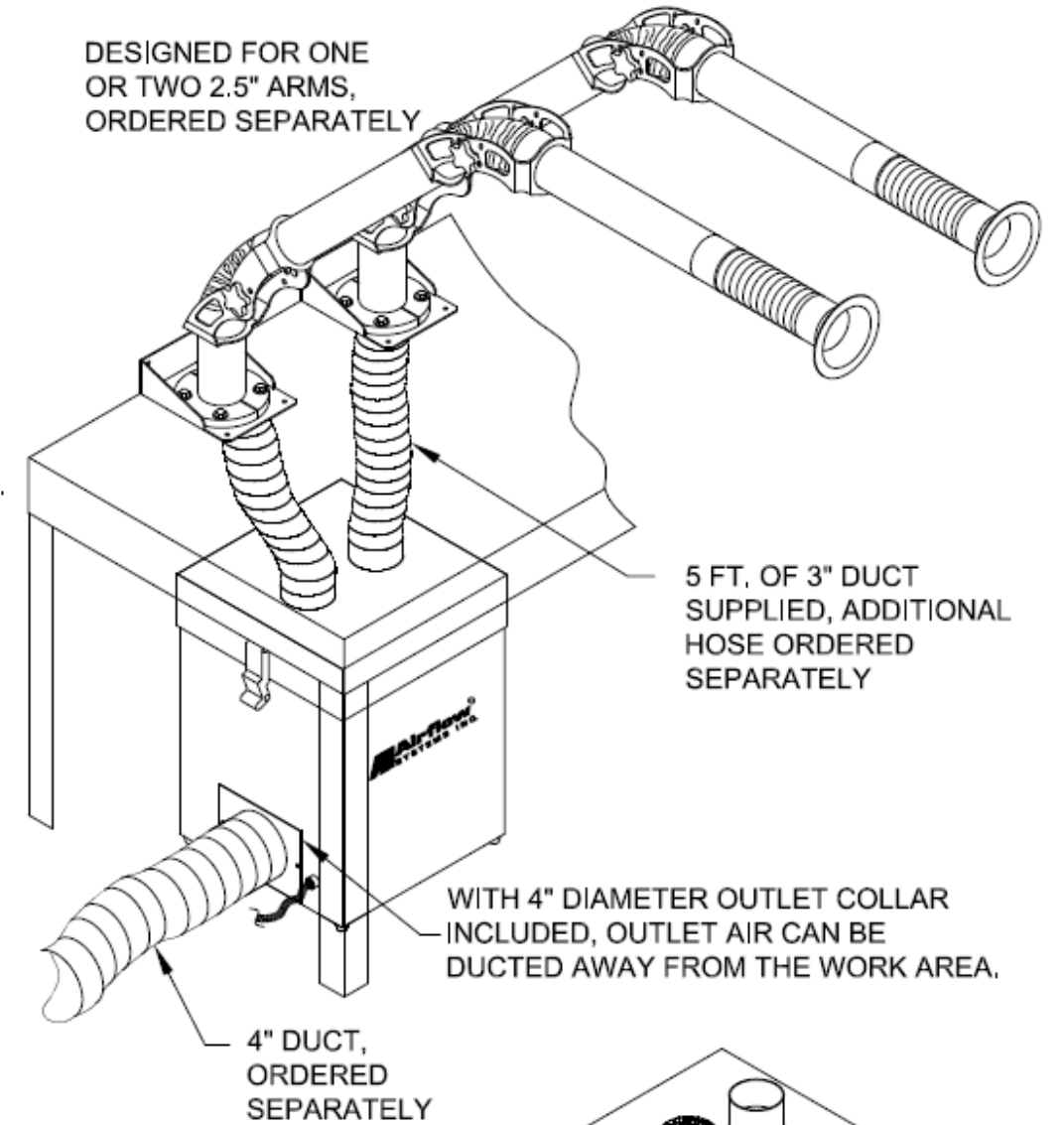
FRONT VIEW

TYPICAL INSTALLATION



5 FT. OF 3" DUCT SUPPLIED, ADDITIONAL HOSE ORDERED SEPARATELY

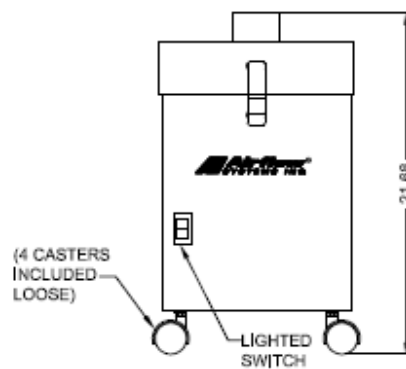
DESIGNED FOR ONE OR TWO 2.5" ARMS, ORDERED SEPARATELY



5 FT. OF 3" DUCT SUPPLIED, ADDITIONAL HOSE ORDERED SEPARATELY

WITH 4" DIAMETER OUTLET COLLAR INCLUDED, OUTLET AIR CAN BE DUCTED AWAY FROM THE WORK AREA.

4" DUCT, ORDERED SEPARATELY



RIGHT SIDE VIEW

12-09

CUSTOMER:
CUSTOMER P.O.:
PROJECT:
ENGINEER:
SALES REP.:
IDENTIFICATION / TAGGING:

> www.lev-co.com • 1.888.862.5356

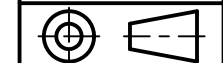
lev-co

The device depicted and described hereon embodies proprietary information owned by the manufacturer. All design, manufacturing, reproduction, sales and patent rights regarding this device or drawing reserved except where explicit right is guaranteed in writing. We reserve the right to make design changes.

Drawn by:	Janos
Date:	5/2/2017
Scale:	NTS
Weight:	N/A

02-09 Mini FLEX

Specification Drawing



Drawing No.:	-	File Name:	(12-09) Fume Pak - SD
Material:	-	Sheet:	1/2

MODELS & OPTIONS

Part #	Description
Main System / Part	
<input type="checkbox"/> FUME-PAK v 2.0	Stainless T16 Weld / Soldering fume collector with a (1) 1" Poly Filter with Plastic Frame. (12" x 12" x 1"), (1) 99.97% HEPA filter (12" x 12" x 4"), a 200 Watt motor, 115/1/60Hz (0.85 amps), and Plastic Hood and 3" x 30" long hose, with Black Handle for carrying.
Extraction Arms	
<input type="checkbox"/> FUME-PAK v 2.0-3AA3	3" arm assembly. 42" long (26" COMPRESSED, 42" EXTENDED) with metal internal support, complete with universal mounting bracket (up, down, or thru table) plenum assembly. 3" dia. White plastic hose and a 3" x 6" white plastic hood.
<input type="checkbox"/> FUME-PAK v 2.0-3AA5	3" arm assembly. 60" long (42" COMPRESSED, 60" EXTENDED) with metal internal support, complete with universal mounting bracket (up, down, or thru table) plenum assembly. 3" dia. White plastic hose and a 3" x 6" white plastic hood.
Hose Clamps	
<input type="checkbox"/> 7HG3-3001	3" dia. Hose clamp.
<input type="checkbox"/> 7HG3-4001	4" dia. Hose clamp.
Filter Options	
<input type="checkbox"/> FUME-PAK v 2.0-95% ASHRAE	95% ASHRAE filter in place of 99.97% HEPA filter.
Replacement filters	
<input type="checkbox"/> 2AF1-0003	Poly prefilter (12" x 12" x 1") filter w/plastic frame.
<input type="checkbox"/> 7FC5-0402	1" charcoal filter. (10" x 10" x 1").
<input type="checkbox"/> 7FJ9-9002	HEPA, 99.97% filter. (12" x 12" x 4").
<input type="checkbox"/> 7FP3-0802	1" pleated filter, 30% eff. (12" x 12" x 1").
<input type="checkbox"/> 7FP9-0001	90-95% ASHRAE filter and frame.
Installation Options and Accessories	
<input type="checkbox"/> FUME-PAK v 2.0-ARM HOSE KIT	Includes 10' of 3" white hose, four (4) hose clamps, and four (4) white rubber hose clamp covers.
<input type="checkbox"/> FUME-PAK v 2.0-CASTERS	Casters kit with 2" wheels.
Spare Parts	
<input type="checkbox"/> 2AH3-2003	42" long (EXTENDED) hose and hood assembly. (Self Supporting plastic hood & hose). Only for 3AA3 & 3AA5 arms.
<input type="checkbox"/> 2AH3-2005	60" long (EXTENDED) hose and hood assembly. (Self Supporting plastic hood & hose). Only for 3AA3 & 3AA5 arms.
<input type="checkbox"/> 2AH3-2008	Assy, Plastic Hood & Hose, 3" x 30" long arm (fully stretched with hood). Standard arm for FUME-PAK v 2.0.
<input type="checkbox"/> 7PH5-2002	4" dia. Rubber band. Clamp cover. White. (New Type).
<input type="checkbox"/> 7PH5-2008	3" dia. Rubber band. Clamp cover. White. (New Type).
<input type="checkbox"/> 7RK6-2001	Universal mounting bracket, powder-coat white.
<input type="checkbox"/> 7HD5-0003	3" dia. Flex hose, white. To connect mounting bracket to source capture unit.
<input type="checkbox"/> 7HD5-1004	4" dia. White Food Grade hose.

12-09

CUSTOMER:
 CUSTOMER P.O.:
 PROJECT:
 ENGINEER:
 SALES REP.:
 IDENTIFICATION / TAGGING:

www.lev-co.com • 1.888.862.5356



The device depicted and described hereon embodies proprietary information owned by the manufacturer. All design, manufacturing, reproduction, sales and patent rights regarding this device or drawing reserved except where explicit right is guaranteed in writing. We reserve the right to make design changes.

Drawn by:	Janos
Date:	5/2/2017
Scale:	NTS
Weight:	N/A

02-09 Mini Flex	
Specification Drawing	
Drawing No.: -	File Name: (12-09) Fume Pak - SD
Material: -	Sheet: 2/2