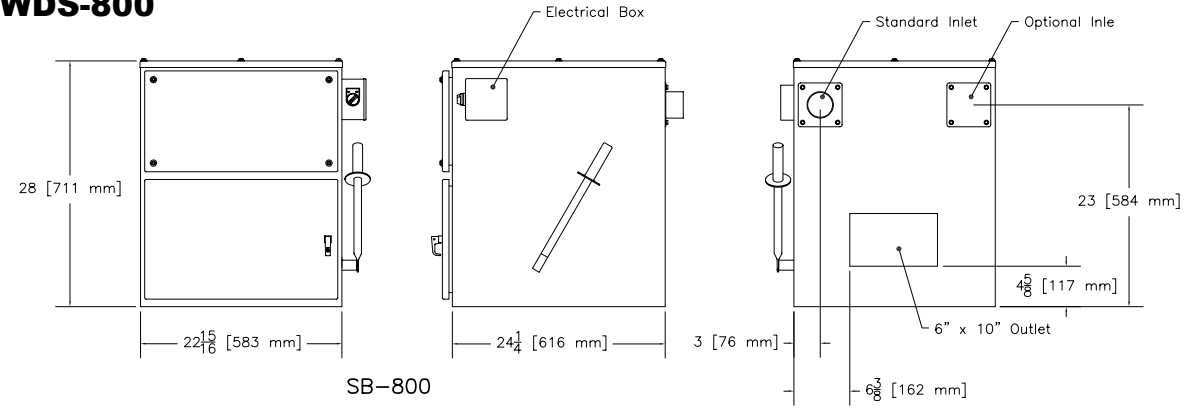
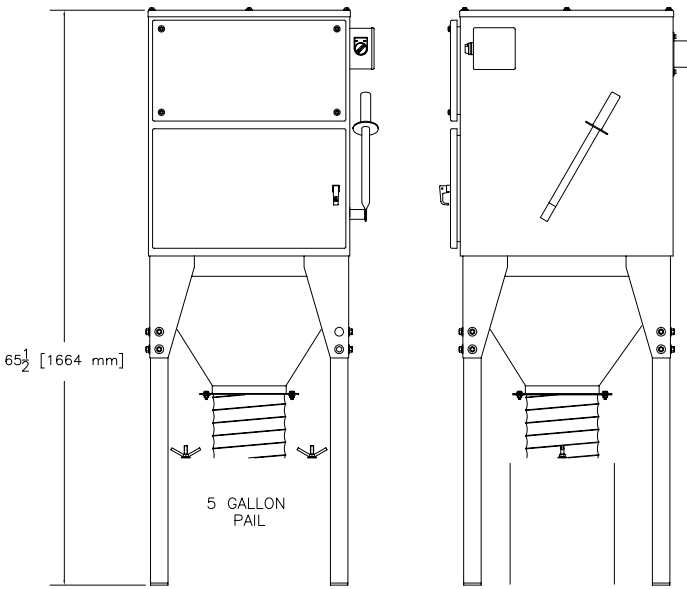


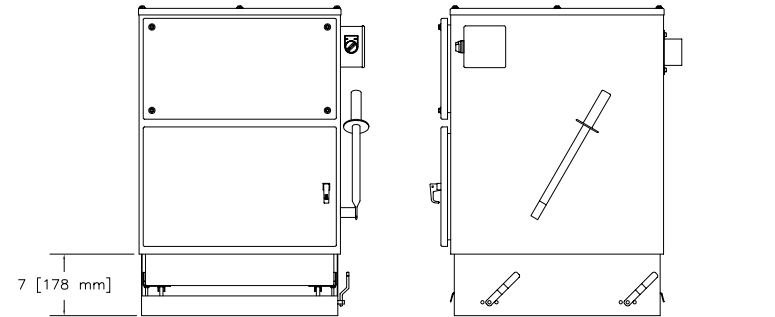
WDS-800



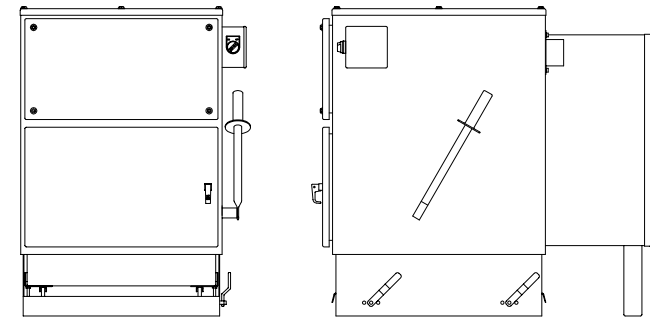
SB-800



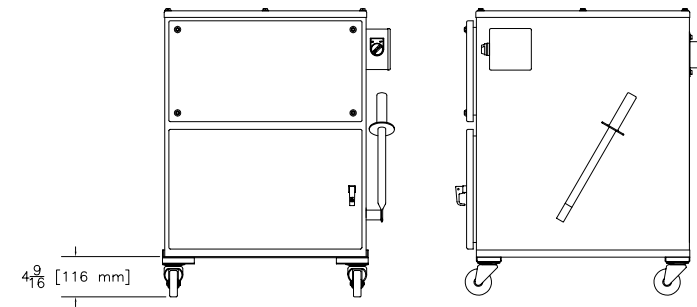
SB-800 WITH HOPPER AND 5 GALLON PAIL (SB-800H5P)



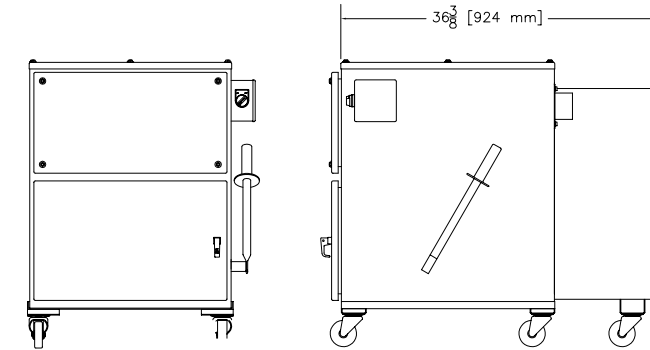
SB-800 WITH CAM LOCK DUST DRAWER (SB-800CLDD)



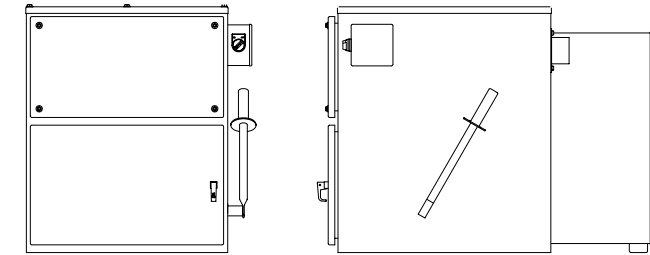
SB-800 WITH HEPA MODULE AND CAM LOCK DUST DRAWER (SB-800HCLDD)



SB-800 WITH MOBILE BASE (SB-800MB)

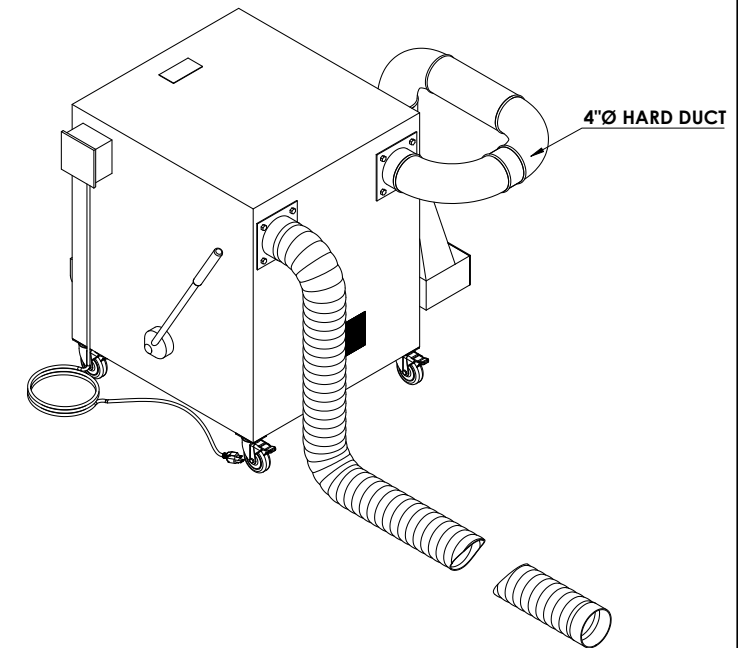
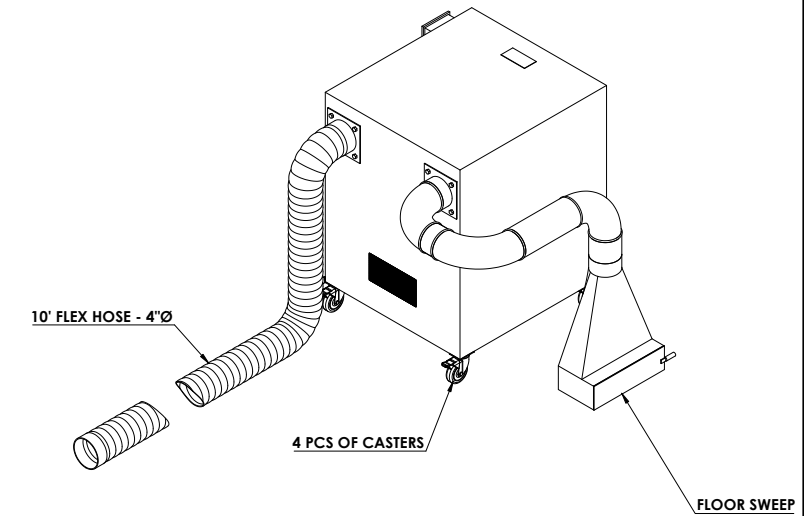


SB-800 WITH HEPA MODULE AND MOBILE BASE (SB-800HMB)



SB-800 WITH HEPA MODULE (SB-800H)

WDS-800 WITH FLOOR SWEEP KIT



WDS-800 SPECIFICATIONS:

Airflow.....800 CFM (1360 m ³ /hr.)	Static Pressure..... 3.5" W.G. (76.20 mm)
Weight.....175lbs. (80) kg.)	Filter Area..... 55 ft (5.11 m)
Sound Level.....66 dBA	Standard Inlet Dia.... 4" (101.6 mm)
Dust Capacity.....0.90 ft ² (0.025 m ³)	Color..... <input type="checkbox"/> Blue
Construction.....14/16 GA., painted inside and out	
Std. Media.....Cotton Sateen Bag	
Motor/blower.....1 HP TEFC, 115/230/1/60 with on/off switch and 10' cord.	

CUSTOMER:
CUSTOMER P.O.:
PROJECT:
ENGINEER:
SALES REP.:
IDENTIFICATION / TAGGING:

www.lev-co.com • 1.888.862.5356

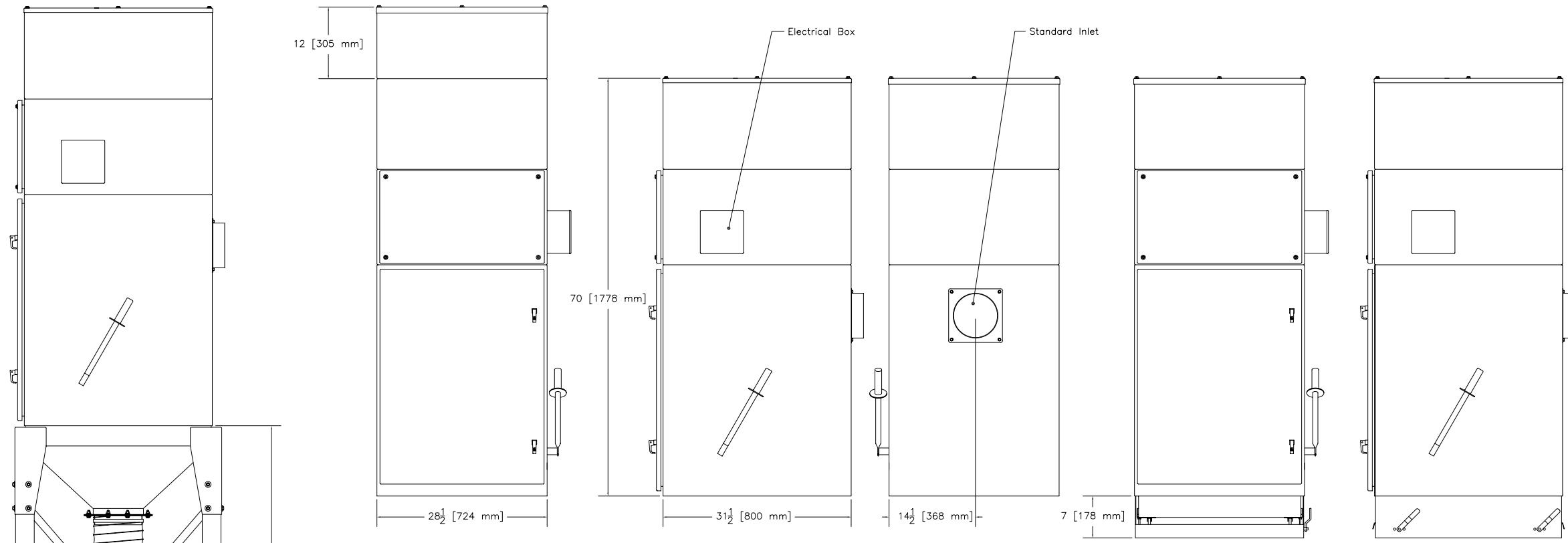


The device depicted and described hereon embodies proprietary information owned by the manufacturer. All design, manufacturing, reproduction, sales and patent rights regarding this device or drawing reserved except where explicit right is guaranteed in writing. We reserve the right to make design changes.

Drawn by:	Janos B
Date:	2/9/2015
Scale:	NTS
Weight:	N/A

WDS-800 and WDS-1500 SHAKER DUST COLLECTOR	
Specification Drawing	
Drawing No.:	-
Material:	-
File Name:	(03-021) WDS-800 and WDS-1500
Sheet:	1/4

WDS-1500

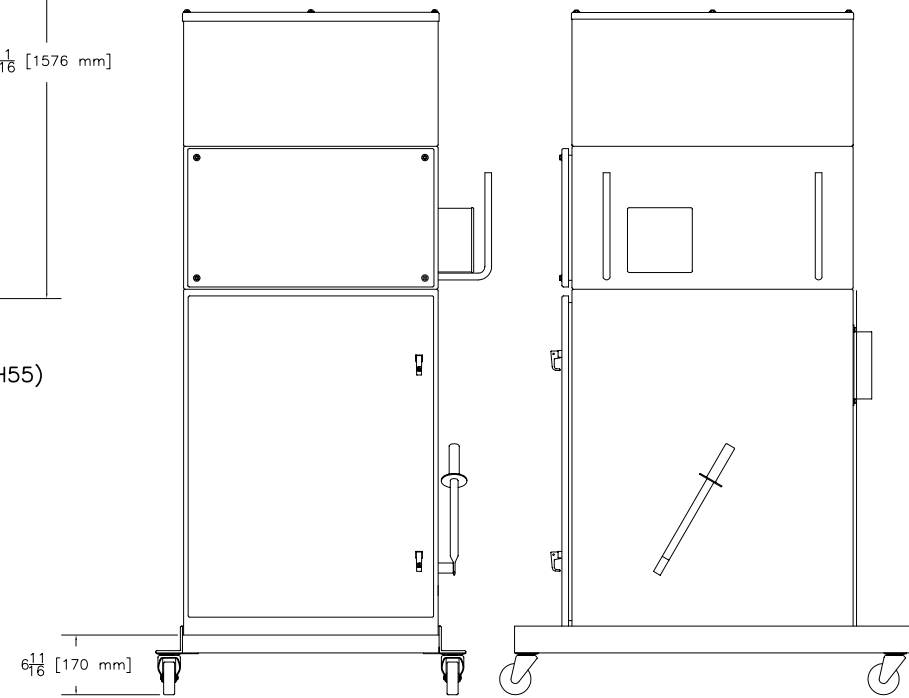


SB-1500 WITH HEPA MODULE (SB-1500H)

SB-1500

SB-1500 WITH CAM LOCK DUST DRAWER (SB-1500CLDD)

SB-1500 WITH HOPPER AND 55 GALLON DRUM (SB-1500H55)



SB-1500 WITH MOBILE BASE (SB-1500MB)

WDS-800 SPECIFICATIONS:

Airflow.....1500 CFM (2548 m ³ /hr.)	Static Pressure..... 3.5" W.G. (76.20 mm)
Weight.....545lbs. (247 kg.)	Filter Area..... 180 ft ² (16.72 m ³)
Sound Level.....66 dBA	Standard Inlet Dia..... 8" (203.20 mm)
Dust Capacity.....2.0 ft ² (0.057 m ³)	Color..... <input type="checkbox"/> Blue <input type="checkbox"/>
Construction.....14/16 GA., painted inside and out	
Std. Media.....Cotton Sateen Bag	
Motor/blower.....3 HP TEFC, 460/230/3/60 or 380/180/3/50 wired to junction box	

CUSTOMER:
 CUSTOMER P.O.:
 PROJECT:
 ENGINEER:
 SALES REP.:
 IDENTIFICATION / TAGGING:

> www.lev-co.com • 1.888.862.5356



The device depicted and described hereon embodies proprietary information owned by the manufacturer. All design, manufacturing, reproduction, sales and patent rights regarding this device or drawing reserved except where explicit right is guaranteed in writing. We reserve the right to make design changes.

Drawn by: Janos B
 Date: 2/9/2015
 Scale: NTS
 Weight: N/A

WDS-800 and WDS-1500 SHAKER DUST COLLECTOR
 Specification Drawing

Drawing No.: -
 Material: -
 File Name: (03-021) WDS-800 and WDS-1500
 Sheet: 2/4

FLOOR SWEEP OPTION



Quick and effective floor cleaning.

Galvanized or SS (optional) sheet metal with sturdy closing door.

Body 22 gauge, Door 14 gauge.

SKU: 3248. Categories: [Accessories](#), [Misc.](#)

Description

Product Description

Floor Sweep

Ø	PART NO.	ENDS	D box	W Box	H Box	HEIGHT	WEIGHT (GALV)
3"	3248-0300	QF	6"	12"	3.5"	18"	5.80
4"	3248-0400	QF	6"	12"	3.5"	18"	6.90
5"	3248-0500	QF	6"	12"	3.5"	18"	7.30
6"	3248-0600	QF	6"	12"	3.5"	18"	7.55
7"	3248-0700	QF	6"	12"	3.5"	18"	7.75
8"	3248-0800	QF	6"	12"	3.5"	18"	8.25
9"	3248-0900	QF	6"	12"	3.5"	18"	9.50
10"	3248-1000	QF	6"	12"	3.5"	18"	11.75
11"	3248-1100	QF	6"	12"	3.5"	18"	13.20
12"	3248-1200	QF	6"	12"	3.5"	18"	15.70

MODELS & OPTIONS

Main System / Part

Part

[WDS-1500](#)

[WDS-800](#)

[WDS-800-DDT](#)

Description

The WDS-1500 unit has 1500CFM (2548 m3/hr) air flow capacity, compact 6ft2 (.55m2) footprint, and 3 HP motor/blower. It's features include a unique bag rack filter module, pull-out dust drawer, a manual shaker, and a modular design which accepts both HEPA and gas/vapor after-filter modules. 8" Std. Inlet Collar. Unit comes standard with cotton sateen bags. All WDS-1500 units come standard wired for 460/3/60. Please select voltage option below. Standard colour is PMS 652C Blue/Grey powder coat or sand beige. Please specify when ordering.

The WDS-800 unit has 800CFM (1360 m3/hr) air flow capacity, compact 4ft2 (.37m2) footprint, and 1 HP motor/blower. It's features include a unique bag rack filter module, pull-out dust drawer, a manual shaker, and a modular design which accepts both HEPA and gas/vapor after-filter modules. 4" Std. Inlet Collar. Unit comes standard with cotton sateen bags. All WDS-800 units come standard wired for 115/1/60 230/1/60. Please select voltage option below. Standard colour is PMS 652C Blue/Grey powder coat or sand beige. Please specify when ordering.

WDS-800 Downdraft Table. Unit consists of SB-800 wired for 110/1/60. Ship separate from box with aluminum table top caster base inside. Customer is required to remove existing top WDS-800 cover and discard. The aluminum top fastens to top with same screws that were removed. This minor assembly takes approx. 6 minutes after the items are uncrated. The customer sits the unit onto the caster base and secures with 4-6 self-tapping screws.

Voltage Options

Part

[WDS-1500-190/3/50](#)

[WDS-1500-208/3/60](#)

[WDS-1500-230/3/60](#)

[WDS-1500-380/3/50](#)

[WDS-1500-460/3/60](#)

[WDS-1500-480/3/60](#)

[WDS-800-115/1/60](#)

[WDS-800-190/3/50](#)

[WDS-800-208/3/60](#)

[WDS-800-230/3/60](#)

[WDS-800-380/3/50](#)

[WDS-800-460/3/60](#)

[WDS-800-480/3/60](#)

Description

Standard 190/3/50 voltage option for WDS-1500 unit.

Standard 208/3/60 voltage option for WDS-1500 unit.

Standard 230/3/60 voltage option for WDS-1500 unit.

Standard 380/3/50 voltage option for WDS-1500 unit.

Standard 460/3/60 voltage option for WDS-1500 unit.

Standard 480/3/60 voltage option for WDS-1500 unit.

Standard 115/1/60 voltage for WDS-800 unit

190/3/50 voltage option for WDS-800 unit.

208/3/60 voltage option for WDS-800 unit.

230/3/60 voltage option for WDS-800 unit.

380/3/50 voltage option for WDS-800 unit.

460/3/60 voltage option for WDS-800 unit.

480/3/60 voltage option for WDS-800 unit.

CUSTOMER:
CUSTOMER P.O.:
PROJECT:
ENGINEER:
SALES REP.:
IDENTIFICATION / TAGGING:

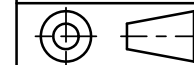
> www.lev-co.com • 1.888.862.5356

lev-co

The device depicted and described hereon embodies proprietary information owned by the manufacturer. All design, manufacturing, reproduction, sales and patent rights regarding this device or drawing reserved except where explicit right is guaranteed in writing. We reserve the right to make design changes.

Drawn by: Janos B
Date: 2/9/2015
Scale: NTS
Weight: N/A

**WDS-800 and WDS-1500
SHAKER DUST COLLECTOR**
Specification Drawing



Drawing No.: -
Material: -
File Name: (03-021) WDS-800 and WDS-1500
Sheet: 3/4

MODELS & OPTIONS

Filter Options (when ordering with main unit)

<input type="checkbox"/>	Part #	Description
<input type="checkbox"/>	WDS-1500-HC	HEPA/Carbon Module, powder coated black, for WDS-1500 unit. Filters not provided. Ships loose.
<input type="checkbox"/>	WDS-1500-PF	Polyester Felt Bag option for WDS-1500 Units.
<input type="checkbox"/>	WDS-1500-PT	Polyester Twill Bag option for WDS-1500 Units.
<input type="checkbox"/>	WDS-800-PF	Polyester felt bag option for WDS-800
<input type="checkbox"/>	WDS-800-PT	Polyester twill bag option for WDS-800 unit.

Hose, Hood & Nozzle Options

<input type="checkbox"/>	Part #	Description
<input type="checkbox"/>	CMC-FH-4D10L	4" Flex hose 10' long
<input type="checkbox"/>	CMC-FH-6D10L	6" Flex hose 10' long
<input type="checkbox"/>	CMC-FH-8D10L	8" Flex hose, 10' long

Hose Clamps

<input type="checkbox"/>	Part #	Description
<input type="checkbox"/>	CMC-HC-4D	4 Flex Hose Kit w/clamps (10' of hose)
<input type="checkbox"/>	CMC-HC-6D	6" Hose clamps
<input type="checkbox"/>	CMC-HC-8D	8" Hose clamps

Manual Motor Starter

<input type="checkbox"/>	Part #	Description
<input type="checkbox"/>	WDS-1500-STR	Off/on starter for 460/230/3/60 mounted option for WDS-1500 unit.

Misc. Options

<input type="checkbox"/>	Part #	Description
<input type="checkbox"/>	CMC-R-6-4	6 to 4 Reducer
<input type="checkbox"/>	CMC-Y-644	6 x 4 x 4 "Y"
<input type="checkbox"/>	CMC-Y-666	6 x 6 x 6 "Y"
<input type="checkbox"/>	CMC-Y-866	8 x 6 x 6 "Y"
<input type="checkbox"/>	WDS-1500-CK	Caster kit mounted with push handles 5" outboard casters with 2" ground clearance. For WDS-1500.
<input type="checkbox"/>	WDS-1500-CLDD	Cam lock external dust drawer option for standard WDS-1500 unit.
<input type="checkbox"/>	WDS-1500-H55	Hopper for 55 gallon drum option for standard WDS-1500 unit.
<input type="checkbox"/>	WDS-1500-SP	Special paint option for WDS-1500 unit.
<input type="checkbox"/>	WDS-800-CK	WDS-800 Caster Kit (ships loose)
<input type="checkbox"/>	WDS-800-CLDD	Cam lock external dust drawer option for standard WDS-800 unit.
<input type="checkbox"/>	WDS-800-H5P	5 gallon pail and hopper option for WDS-800 unit.
<input type="checkbox"/>	WDS-800-SP	Special paint option for WDS-800 unit.
<input type="checkbox"/>	WDS-GLK-55	55 gallon lid kit with hose for Shaker Bag units.

Replacement filters - (Quantity discounts available upon request)

<input type="checkbox"/>	Part #	Description
<input type="checkbox"/>	WDS-1500-CS	Cotton Sateen replacement filters for WDS-1500 unit.
<input type="checkbox"/>	WDS-1500-HEPA-24246	HEPA Filter (24" x 24" x 6") for WDS-1500
<input type="checkbox"/>	WDS-1500-HEPA-252511.5	HEPA Filter (24" x 24" x 11 1/2") for WDS-1500. Includes hold down bars.
<input type="checkbox"/>	WDS-1500-PF	Polyester Felt replacement filters for WDS-1500 unit.
<input type="checkbox"/>	WDS-1500-PT	Polyester Twill replacement filters for WDS-1500 unit.
<input type="checkbox"/>	WDS-800-CS	Cotton Sateen replacement filters for WDS-800 unit.
<input type="checkbox"/>	WDS-800-HEPA	HEPA Module 99.97% (12" x 24" x 11 1/2") for WDS-800
<input type="checkbox"/>	WDS-800-HEPA-CSTR	HEPA Module 99.97% (12" x 24" x 11 1/2") with casters for WDS-800
<input type="checkbox"/>	WDS-800-PF	Polyester Felt replacement filters for WDS-800 unit.
<input type="checkbox"/>	WDS-800-PT	Polyester Twill replacement filters for WDS-800 unit.

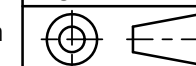
CUSTOMER:
 CUSTOMER P.O.:
 PROJECT:
 ENGINEER:
 SALES REP.:
 IDENTIFICATION / TAGGING:

> www.lev-co.com • 1.888.862.5356

lev-co

The device depicted and described hereon embodies proprietary information owned by the manufacturer. All design, manufacturing, reproduction, sales and patent rights regarding this device or drawing reserved except where explicit right is guaranteed in writing. We reserve the right to make design changes.

Drawn by: Janos B
 Date: 2/9/2015
 Scale: NTS
 Weight: N/A



**WDS-800 and WDS-1500
 SHAKER DUST COLLECTOR**
 Specification Drawing

Drawing No.: -
 Material: -
 File Name: (03-021) WDS-800 and WDS-1500
 Sheet: 4/4