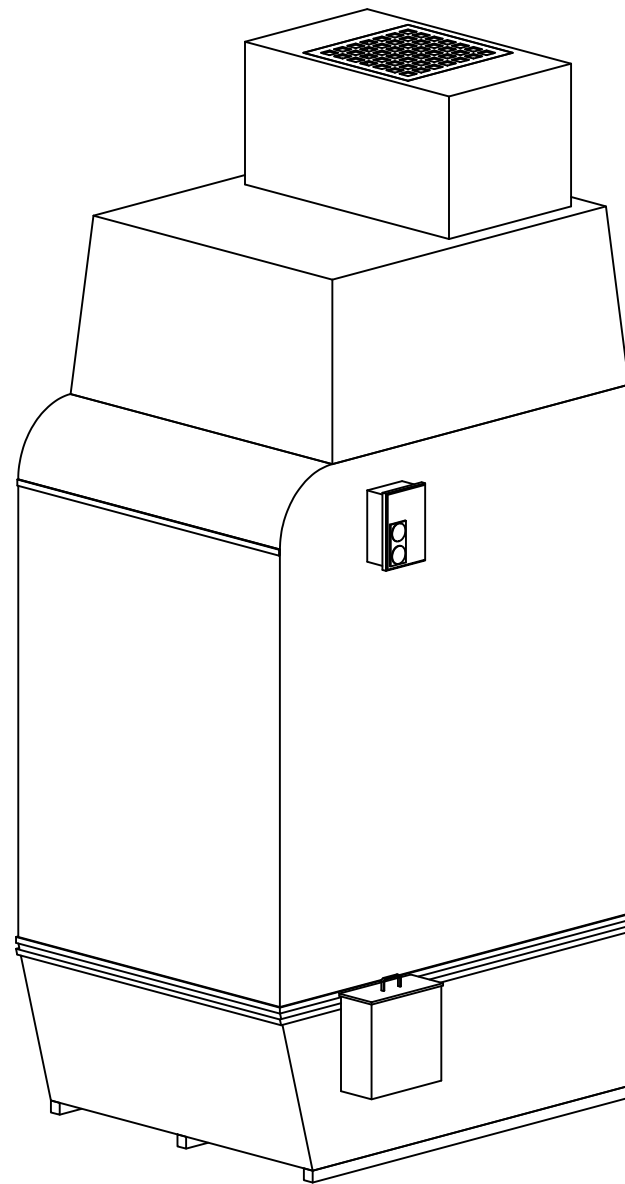
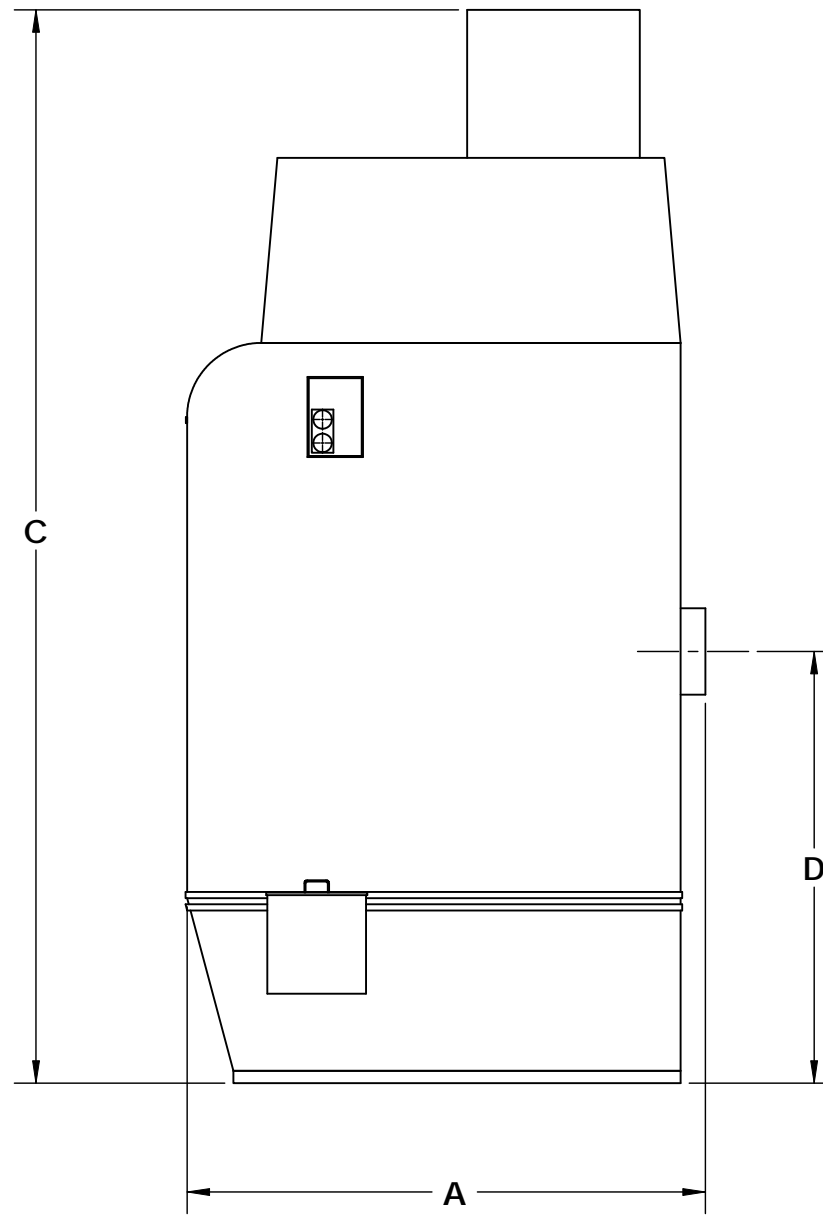


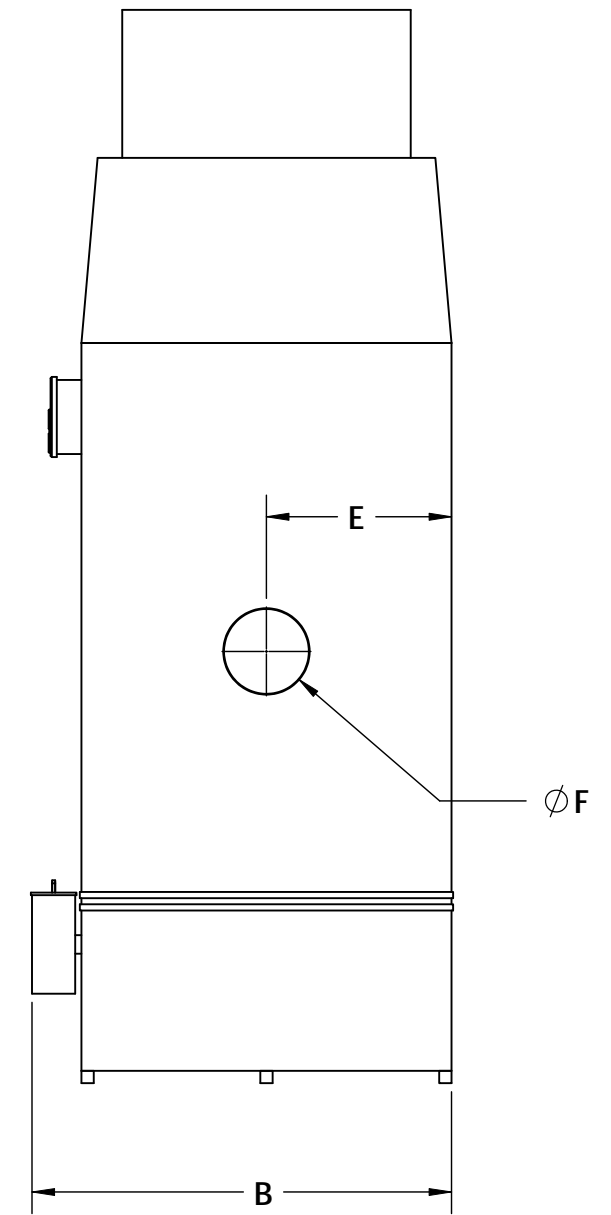
DIMETRIC VIEW



SIDE VIEW



REAR VIEW



03-07

CUSTOMER:
 CUSTOMER P.O.:
 PROJECT:
 ENGINEER:
 SALES REP.:
 IDENTIFICATION / TAGGING:

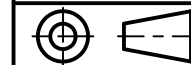
> www.lev-co.com • 1.888.862.5356

lev-co

The device depicted and described hereon embodies proprietary information owned by the manufacturer. All design, manufacturing, reproduction, sales and patent rights regarding this device or drawing reserved except where explicit right is guaranteed in writing. We reserve the right to make design changes.

Drawn by: Janos B
 Date: 5/1/2008
 Scale: NTS
 Weight: N/A

**03-07 STAINLESS STEEL
 WET DUST COLLECTOR**
 Specification Drawing



Drawing No.: -
 Material: -
 File Name: (03-07) SS-Wet Collector - SD
 Sheet: 1/2

SPECIFICATIONS:

MODEL =>	SS-C3-800	SS-C3-1200	SS-C5-1800	SS-C5-2500	SS-C7-3000
Nominal CFM	800	1200	1800	2500	3000
Horsepower	3HP	3HP	5HP	5HP	7.5HP
DIMENSIONS					
A	42"	42"	42"	42"	51"
B	34"	34"	34"	34"	54"
C	87"	87"	87"	87"	104"
D	34"	34"	34"	34"	38"
E	13"	13"	13"	13"	23"
F	6"	6"	8"	8"	10"

03-07

AVAILABLE MODELS:

Part #	Description
<u>Main System / Part</u>	
<input type="checkbox"/> _____ SS-C3-800	SS Wet Dust collector, 800 CFM, Inlet Dia. 6 inches, motor 3 HP, 208-230/460 V/3/60 (other voltages also available)
<input type="checkbox"/> _____ SS-C3-1200	SS Wet Dust collector, 1200 CFM, Inlet Dia. 6 inches, motor 3 HP, 208-230/460 V/3/60 (other voltages also available)
<input type="checkbox"/> _____ SS-C5-1800	SS Wet Dust collector, 1800 CFM, Inlet Dia. 8 inches, motor 5 HP, 208-230/460 V/3/60 (other voltages also available)
<input type="checkbox"/> _____ SS-C5-2500	SS Wet Dust collector, 2500 CFM, Inlet Dia. 8 inches, motor 5 HP, 208-230/460 V/3/60 (other voltages also available)
<input type="checkbox"/> _____ SS-C7-3000	SS Wet Dust collector, 3000 CFM, Inlet Dia. 10 inches, motor 7.5 HP, 208-230/460 V/3/60 (other voltages also available)

CUSTOMER:
 CUSTOMER P.O.:
 PROJECT:
 ENGINEER:
 SALES REP.:
 IDENTIFICATION / TAGGING:


www.lev-co.com • 1.888.862.5356



The device depicted and described hereon embodies proprietary information owned by the manufacturer. All design, manufacturing, reproduction, sales and patent rights regarding this device or drawing reserved except where explicit right is guaranteed in writing. We reserve the right to make design changes.

Drawn by: Janos B
 Date: 5/1/2008
 Scale: NTS
 Weight: N/A

**03-07 STAINLESS STEEL
 WET DUST COLLECTOR**
 Specification Drawing

Drawing No.: - File Name: (03-07) SS-Wet Collector - SD
 Material: - Sheet: 2/2