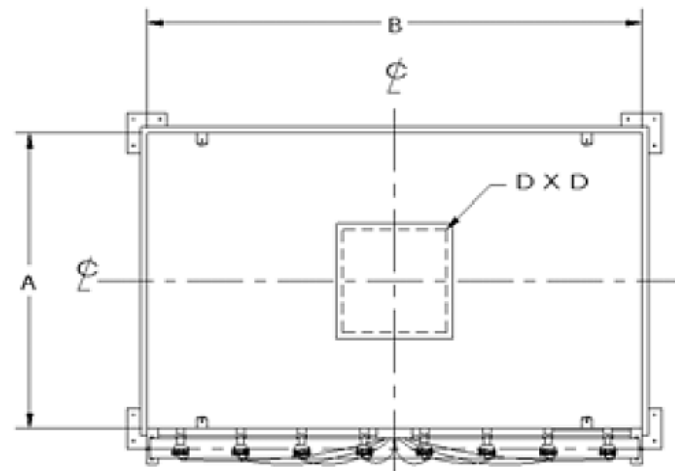
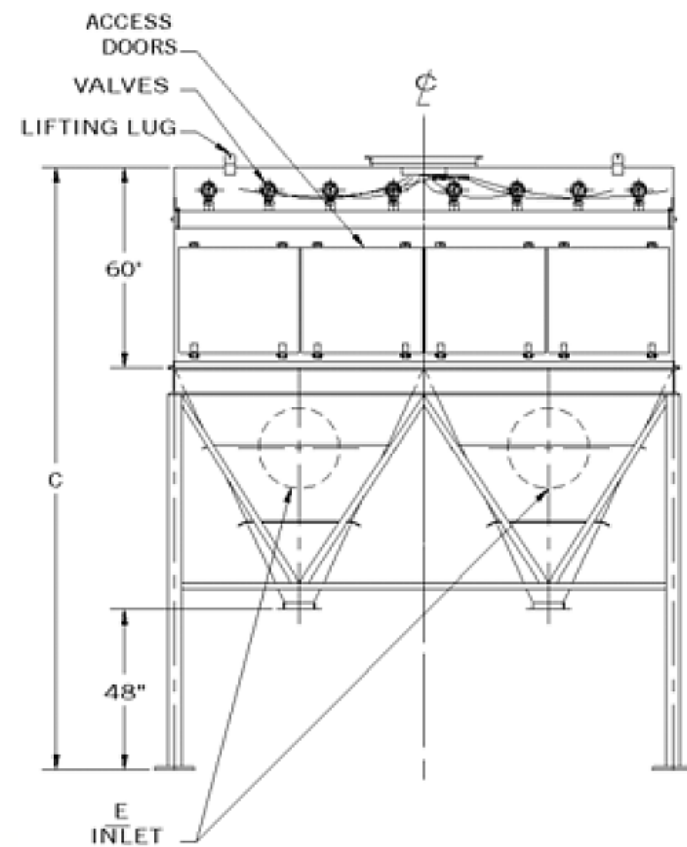


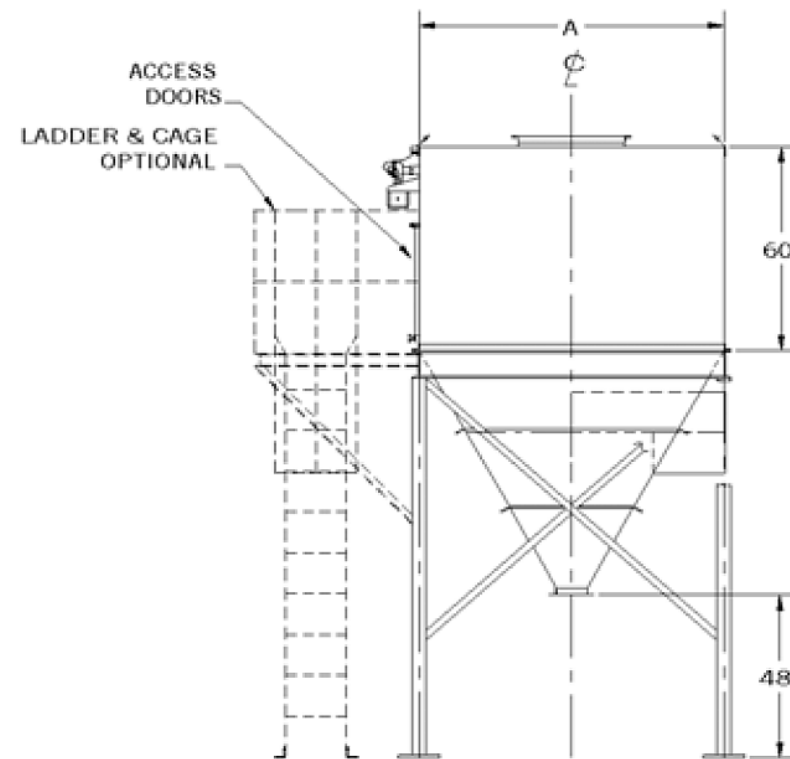
TOP VIEW



FRONT VIEW



END VIEW



# Cartridge Filters	# Valves	# Hoppers	Dimensions ft./mm					Filtration area ft. <sup>2</sup> / m <sup>2</sup>	Weight Lbs / kg
			A	B	C	inlet D	outlet E diam.		
4	2	1	2'-8" 813	3'-2" 965	11'-2" 3404	9" 229	9" 229	900 84	1375 625
6	2	1	3'-10" 1108	3'-2" 965	11'-8" 3556	11" 279	11" 279	1350 126	1599 727
9	3	1	3'-10" 1168	4'-9" 1448	12'-5" 3785	13" 330	14" 356	2025 190	1989 904
12	4	1	3'-10" 1168	6'-3" 1905	13'-9" 4191	15" 381	16" 406	2700 253	2607 1185
16	4	1	5'-1" 1549	6'-3" 1905	13'-9" 4191	18" 457	18" 457	3600 336	2830 1286
20	4	1	6'-3" 1905	6'-3" 1905	13'-9" 4191	20" 508	20" 508	4500 420	3019 1372
24	6	1	5'-1" 1549	10'-2" 3099	18'-7" 5664	24" 610	22" 559	5400 505	4214 1915
24 D	6	2	5'-1" 1549	10'-2" 3099	18'-7" 5664	24" 610	16" 406	5400 505	3791 1723
30	6	1	6'-3" 1905	9'-3" 2819	16'-5" 5004	24" 610	25" 635	6750 630	4498 2044
30D	6	2	6'-3" 1905	9'-3" 2819	13'-9" 4191	24" 610	18" 457	6750 630	4460 2027
36	6	1	7'-6" 2290	10'-2" 3099	18'-7" 5664	24" 610	28" 710	5400 505	4214 1915
40	8	1	6'-3" 1905	13'-6" 4115	21'-6" 6555	32" 810	28" 710	9000 840	<b>5477</b> <b>2490</b>
60D	10	2	7'-6" 2290	16'-11" 5030	17'-1" 5205	26" 660	34" 865	13500 1260	<b>7307</b> <b>3321</b>

D = DOUBLE HOPPER

04-01

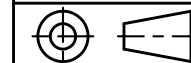
CUSTOMER:  
CUSTOMER P.O.:  
PROJECT:  
ENGINEER:  
SALES REP.:  
IDENTIFICATION / TAGGING:

> [www.lev-co.com](http://www.lev-co.com) • 1.888.862.5356

**lev-co**

The device depicted and described hereon embodies proprietary information owned by the manufacturer. All design, manufacturing, reproduction, sales and patent rights regarding this device or drawing reserved except where explicit right is guaranteed in writing. We reserve the right to make design changes.

Drawn by: Janos B  
Date: 3/4/2009  
Scale: NTS  
Weight: N/A



**04-01 CENTRAL  
Dust & Fume Collectors  
Specification Drawing**

Drawing No.: -  
Material: -  
File Name: (04-01) Central Dust & Fume Collector  
Sheet: 1/2

**MODELS & OPTIONS:**

Part #	Description
<b>Main System / Part</b>	
<input type="checkbox"/> L4-1000-1	Vertical cartridge dust collector 1000 CFM, 4 cartridges (1260 sq. ft of media) 0.8:1 air-to-cloth ratio c/w 5 HP-PW-14 230V/1/60 direct drive-top mounted fan. Designed to handle 8" w.g. of external SP.
<input type="checkbox"/> L4-1000-2	Vertical cartridge dust collector 1000 CFM, 4 cartridges (1260 sq. ft of media) 0.8:1 air-to-cloth ratio c/w 5 HP PW-14 208-230V/460V/3/60 direct drive-top mounted fan. Designed to handle 8" w.g. of external SP.
<input type="checkbox"/> L4-1000-3	Vertical cartridge dust collector 1000 CFM, 4 cartridges (1260 sq. ft of media) 0.8:1 air-to-cloth ratio c/w 5 HP PW-14 575-600V/3/60 direct drive-top mounted fan. Designed to handle 8" w.g. of external SP.
<input type="checkbox"/> L4-2000-1	Vertical cartridge dust collector 2000 CFM, 4 cartridges (1260 sq. ft of media) 1.6:1 air-to-cloth ratio c/w 5 HP SXB-12.25 - 230V/1/60 direct drive-top mounted fan. Designed to handle 8" w.g. of external SP.
<input type="checkbox"/> L4-2000-2	Vertical cartridge dust collector 2000 CFM, 4 cartridges (1260 sq. ft of media) 1.6:1 air-to-cloth ratio c/w 5 HP SXB-12.25 208-230V/460V/3/60 direct drive-top mounted fan. Designed to handle 8" w.g. of external SP.
<input type="checkbox"/> L4-2000-3	Vertical cartridge dust collector 2000 CFM, 4 cartridges (1260 sq. ft of media) 1.6:1 air-to-cloth ratio c/w 5 HP SXB-12.25 575-600V/3/60 direct drive-top mounted fan. Designed to handle 8" w.g. of external SP.
<input type="checkbox"/> L6-2000-1	Vertical cartridge dust collector 2000 CFM, 6 cartridges (1890 sq. ft of media) 1:1 air-to-cloth ratio c/w 5 HP SXB-12.25 230V/1/60 direct drive-top mounted fan. Designed to handle 8" w.g. of external SP.
<input type="checkbox"/> L6-2000-2	Vertical cartridge dust collector 2000 CFM, 6 cartridges (1890 sq. ft of media) 1:1 air-to-cloth ratio c/w 5 HP SXB-12.25 208-230V/460V/3/60 direct drive-top mounted fan. Designed to handle 8" w.g. of external SP.
<input type="checkbox"/> L6-2000-3	Vertical cartridge dust collector 2000 CFM, 6 cartridges (1890 sq. ft of media) 1:1 air-to-cloth ratio c/w 5 HP SXB-12.25 575/3/60 direct drive-top mounted fan. Designed to handle 8" w.g. of external SP.
<input type="checkbox"/> L6-3000-1	Vertical cartridge dust collector 3000 CFM, 6 cartridges (1890 sq. ft of media) 1.6:1 air-to-cloth ratio c/w 7.5 HP SXB-13.5 208-230V/460V/3/60 direct drive-top mounted fan. Designed to handle 8" w.g. of external SP.
<input type="checkbox"/> L6-3000-2	Vertical cartridge dust collector 3000 CFM, 6 cartridges (1890 sq. ft of media) 1.6:1 air-to-cloth ratio c/w 7.5 HP SXB-13.5 575-600V/3/60 direct drive-top mounted fan. Designed to handle 8" w.g. of external SP.
<input type="checkbox"/> L9-3000-1	Vertical cartridge dust collector 3000 CFM, 9 cartridges (2835 sq. ft of media) 1:1 air-to-cloth ratio c/w SXB-13.5 7.5 HP 208-230/460/3/60 - top mounted fan. Designed to handle 8" w.g. of external SP.
<input type="checkbox"/> L9-3000-2	Vertical cartridge dust collector 3000 CFM, 9 cartridges (2835 sq. ft of media) 1:1 air-to-cloth ratio c/w SXB-13.5 7.5 HP 575/3/60 - top mounted fan. Designed to handle 8" w.g. of external SP.
<input type="checkbox"/> L9-4000-1	Vertical cartridge dust collector 4000 CFM, 9 cartridges (2835 sq. ft of media) 1.4:1 air-to-cloth ratio c/w 10 HP SXB-15 208-230V/460V/3/60 -top mounted fan. Designed to handle 8" w.g. of external SP.
<input type="checkbox"/> L9-4000-2	Vertical cartridge dust collector 4000 CFM, 9 cartridges (2835 sq. ft of media) 1.4:1 air-to-cloth ratio c/w 10 HP SXB-15 575-600V/3/60 -top mounted fan. Designed to handle 8" w.g. of external SP.
<input type="checkbox"/> L12-4000-1	Vertical cartridge dust collector 4000 CFM, 12 cartridges (3780 sq. ft of media) 1:1 air-to-cloth ratio c/w SXB-15 10 HP 208-230V/460V/3/60 -top mounted fan. Designed to handle 8" w.g. of external SP.
<input type="checkbox"/> L12-4000-2	Vertical cartridge dust collector 4000 CFM, 12 cartridges (3780 sq. ft of media) 1:1 air-to-cloth ratio c/w SXB-15 10 HP 575/3/60 -top mounted fan. Designed to handle 8" w.g. of external SP.
<input type="checkbox"/> L9-5000-1	Vertical cartridge dust collector 5000 CFM, 9 cartridges (2835 sq. ft of media) 1.76:1 air-to-cloth ratio c/w SXB-16.5 15 HP 208-230V/460V/3/60 - top mounted fan. Designed to handle 8" w.g. of external SP.
<input type="checkbox"/> L9-5000-2	Vertical cartridge dust collector 5000 CFM, 9 cartridges (2835 sq. ft of media) 1.76:1 air-to-cloth ratio c/w SXB-16.5 15 HP 575-600V/3/60 - top mounted fan. Designed to handle 8" w.g. of external SP.
<input type="checkbox"/> L16-5000-1	Vertical cartridge dust collector 5000 CFM, 16 cartridges (5040 sq. ft of media) 1:1 air-to-cloth ratio c/w SXB-16.5 15 HP 208-230V/460V/3/60 -top mounted fan. Designed to handle 8" w.g. of external SP.
<input type="checkbox"/> L16-5000-2	Vertical cartridge dust collector 5000 CFM, 16 cartridges (5040 sq. ft of media) 1:1 air-to-cloth ratio c/w SXB-16.5 15 HP 575/3/60 -top mounted fan. Designed to handle 8" w.g. of external SP.
<input type="checkbox"/> L12-6000-1	Vertical cartridge dust collector 6000 CFM, 12 cartridges (3780 sq. ft of media) 1.6:1 air-to-cloth ratio c/w SXB-18 15 HP 208-230V/460V/3/60 -top mounted fan. Designed to handle 8" w.g. of external SP.
<input type="checkbox"/> L12-6000-2	Vertical cartridge dust collector 6000 CFM, 12 cartridges (3780 sq. ft of media) 1.6:1 air-to-cloth ratio c/w SXB-18 15 HP 575V/3/60 -top mounted fan. Designed to handle 8" w.g. of external SP.
<input type="checkbox"/> L20-6000-1	Vertical cartridge dust collector 6000 CFM, 20 cartridges (5040 sq. ft of media) 1:1 air-to-cloth ratio c/w SXB-18 15 HP 208-230V/460V/3/60 - top mounted fan. Designed to handle 8" w.g. of external SP.

Part #	Description
<b>Main System / Part</b>	
<input type="checkbox"/> L16-7000-1	Vertical cartridge dust collector 7000 CFM, 16 cartridges (5040 sq. ft of media) 1.4:1 air-to-cloth ratio c/w SXB-18.25 20 HP 208-230V/460V/3/60 -top mounted fan. Designed to handle 8" w.g. of external SP.
<input type="checkbox"/> L16-7000-2	Vertical cartridge dust collector 7000 CFM, 16 cartridges (5040 sq. ft of media) 1.4:1 air-to-cloth ratio c/w SXB-18.25 20 HP 575/3/60 -top mounted fan. Designed to handle 8" w.g. of external SP.
<input type="checkbox"/> L24-7000-1	Vertical cartridge dust collector 7000 CFM, 24 cartridges (7560 sq. ft of media) 1:1 air-to-cloth ratio c/w SXB-18.25 20 HP 208-230V/460V/3/60 - top mounted fan. Designed to handle 8" w.g. of external SP.
<input type="checkbox"/> L24-7000-2	Vertical cartridge dust collector 7000 CFM, 24 cartridges (7560 sq. ft of media) 1:1 air-to-cloth ratio c/w SXB-18.25 20 HP 575/3/60 - top mounted fan. Designed to handle 8" w.g. of external SP.
<input type="checkbox"/> L16-8000-1	Vertical cartridge dust collector 8000 CFM, 16 cartridges (5040 sq. ft of media) 1.6:1 air-to-cloth ratio c/w SXB-20 20 HP 208-230V/460V/3/60 -top mounted fan. Designed to handle 8" w.g. of external SP.
<input type="checkbox"/> L16-8000-2	Vertical cartridge dust collector 8000 CFM, 16 cartridges (5040 sq. ft of media) 1.6:1 air-to-cloth ratio c/w SXB-20 20 HP 575460V/3/60 -top mounted fan. Designed to handle 8" w.g. of external SP.
<input type="checkbox"/> L24-8000-1	Vertical cartridge dust collector 8000 CFM, 24 cartridges (7560 sq. ft of media) 1:1 air-to-cloth ratio c/w SXB-20 20 HP 208-230V/460V/3/60 - top mounted fan. Designed to handle 8" w.g. of external SP.
<input type="checkbox"/> L24-8000-2	Vertical cartridge dust collector 8000 CFM, 24 cartridges (7560 sq. ft of media) 1:1 air-to-cloth ratio c/w SXB-20 20 HP 575/3/60 - top mounted fan. Designed to handle 8" w.g. of external SP.
<input type="checkbox"/> L24-9000-1	Vertical cartridge dust collector 9000 CFM, 24 cartridges (7560 sq. ft of media) 1.2:1 air-to-cloth ratio c/w SXB-20 25 HP 208-230V/460V/3/60 - base mounting fan with ducting by others. Designed to handle 8" w.g. of external SP.
<input type="checkbox"/> L24-9000-2	Vertical cartridge dust collector 9000 CFM, 24 cartridges (7560 sq. ft of media) 1.2:1 air-to-cloth ratio c/w SXB-20 25 HP 575/3/60 - base mounting fan with ducting by others. Designed to handle 8" w.g. of external SP.
<input type="checkbox"/> L30-9000-1	Vertical cartridge dust collector 9000 CFM, 30 cartridges (9450 sq. ft of media) 1:1 air-to-cloth ratio c/w SXB-20 25 HP 208-230/460/3/60 - base mounting fan with ducting by others. Designed to handle 8" w.g. of external SP.
<input type="checkbox"/> L30-9000-2	Vertical cartridge dust collector 9000 CFM, 30 cartridges (9450 sq. ft of media) 1:1 air-to-cloth ratio c/w SXB-20 25 HP 575/3/60 - base mounting fan with ducting by others. Designed to handle 8" w.g. of external SP.
<input type="checkbox"/> L24-10000-1	Vertical cartridge dust collector 10000 CFM, 24 cartridges (7560 sq. ft of media) 1.3:1 air-to-cloth ratio c/w SXB-22.25 25 HP 208-230V/460V/3/60 - base mounting fan with ducting by others. Designed to handle 8" w.g. of external SP.
<input type="checkbox"/> L24-10000-2	Vertical cartridge dust collector 10000 CFM, 24 cartridges (7560 sq. ft of media) 1.3:1 air-to-cloth ratio c/w SXB-22.25 25 HP 575/3/60 - base mounting fan with ducting by others. Designed to handle 8" w.g. of external SP.
<input type="checkbox"/> L30-10000-1	Vertical cartridge dust collector 10000 CFM, 30 cartridges (9450 sq. ft of media) 1:1 air-to-cloth ratio c/w SXB-20 25 HP 208-230/460/3/60 - base mounting fan with ducting by others. Designed to handle 8" w.g. of external SP.
<input type="checkbox"/> L30-10000-2	Vertical cartridge dust collector 10000 CFM, 30 cartridges (9450 sq. ft of media) 1:1 air-to-cloth ratio c/w SXB-20 25 HP 575/3/60 - base mounting fan with ducting by others. Designed to handle 8" w.g. of external SP.

**Silencer Option (when ordering main unit)**

<input type="checkbox"/> L-SIL-1	Silencer Option for 1000-2000 CFM dust collectors
<input type="checkbox"/> L-SIL-2	Silencer Option for 3000-5000 CFM dust collectors
<input type="checkbox"/> L-SIL-3	Silencer Option for 6000 CFM dust collector
<input type="checkbox"/> L-SIL-4	Silencer Option for 7000-9000 CFM dust collectors
<input type="checkbox"/> L-SIL-5	Silencer Option for 10000 CFM dust collectors

**Winter-Summer Damper Option (when ordering main unit)**

<input type="checkbox"/> L-WSD-9000	Winter-Summer Damper Option for up to 9000 CFM dust collectors
<input type="checkbox"/> L-WSD-10000	Winter-Summer Damper Option for 10,000 CFM dust collector

**Platform and Ladder Option (when ordering main unit)**

<input type="checkbox"/> L-PL-9000	Platform Option for up to 9000 CFM dust collectors
<input type="checkbox"/> L-PL-10000	Platform and Ladder Option for 10000 CFM dust collector

04-01

CUSTOMER:  
 CUSTOMER P.O.:  
 PROJECT:  
 ENGINEER:  
 SALES REP.:  
 IDENTIFICATION / TAGGING:



The device depicted and described hereon embodies proprietary information owned by the manufacturer. All design, manufacturing, reproduction, sales and patent rights regarding this device or drawing reserved except where explicit right is guaranteed in writing. We reserve the right to make design changes.

Drawn by: Janos B  
 Date: 3/4/2009  
 Scale: NTS  
 Weight: N/A

**04-01 CENTRAL  
 Dust & Fume Collectors  
 Specification Drawing**

Drawing No.: -  
 Material: -  
 File Name: (04-01) Central Dust & Fume  
 Sheet: 2/2