

12"Ø GOOSE NECK @135°

SILENCER

CARTRIDGE DUST COLLECTOR

VFD

HIGH PRESSURE FAN

12"Ø AIR STRAIGHTENER
DUCT 60" LONG

SPECIFICATIONS:

1. CARTRIDGE DUST COLLECTOR

1.1. CONSTRUCTION

12 Gauge steel cabinet finished with a 2 part chemical and oi; resistant paint, includes hopper and stand, removable endcaps for easy filter access, pressure gauge to indicate filter changes, and automatic cleaning.

1.2. FILTER OPTIONS

- (8) 16"Ø cartridges, CLEAN 2, - STANDARD
- (8) 16"Ø cartridges, FiberDust - OPTIONAL

1.3. OTHER OPTIONS

- (1) Half-drum (under hopper) - OPTIONAL
- (1) Blast gate (under hopper) - OPTIONAL

1.4. PROVIDED BY OTHERS

- Fire suppression equipment
- Compressed air filter

2. HIGH PRESSURE FAN

2.1. CONSTRUCTION

Steel housing, slip fit inlet, Flanged discharge, 75% width open steel wheel
Teflon shaft seal, Steel motor base, Special balancing, CCW - upblast discharge.

2.2. PERFORMANCE

Rated @ 2000 CFM @ 80" SP

2.3. ELECTRIC

75HP 3/60/575V 350RPM TEFC motor

3. SILENCER

3.1. CONSTRUCTION

- Casing: - 14GA Welded carbon steel with lifting lugs if required
- Internals: - 18GA Perforated metal liner and centre bullet packed with acoustic media under compression
- Drilled 3/16" HRS flanges
- Surface finish: Galvanized

3.2. PERFORMANCE

OCTAVE CENTER BAND (Hz)	63	125	250	500	1000	2000	4000	8000
SILENCER DIL's (dB)	7	10	17	26	35	40	34	24

4. VFD

4.1. CONSTRUCTION

Danfoss 75HP 575V c/w NEMA 1 Enclosure

04-045

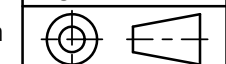
CUSTOMER:
CUSTOMER P.O.:
PROJECT:
ENGINEER:
SALES REP.:
IDENTIFICATION / TAGGING:

> www.lev-co.com • 1.888.862.5356

lev-co

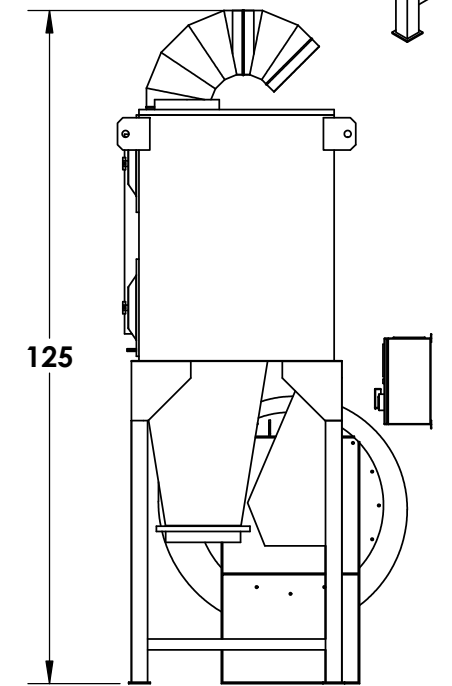
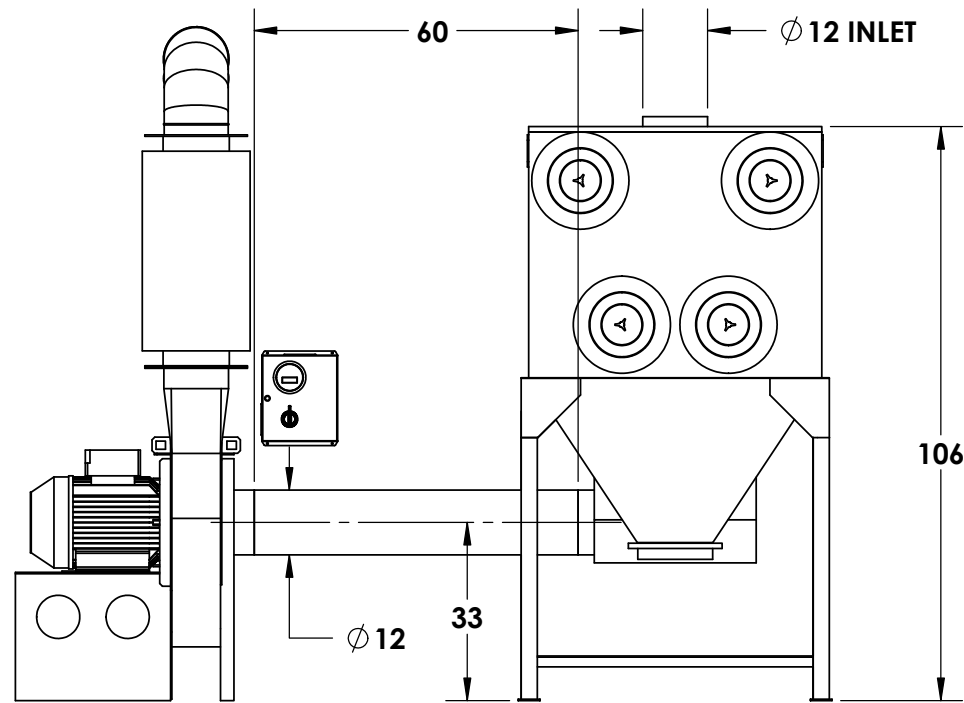
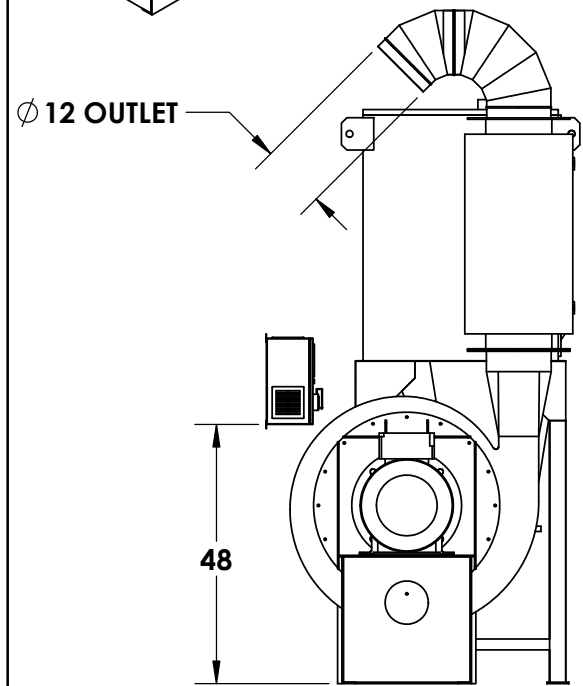
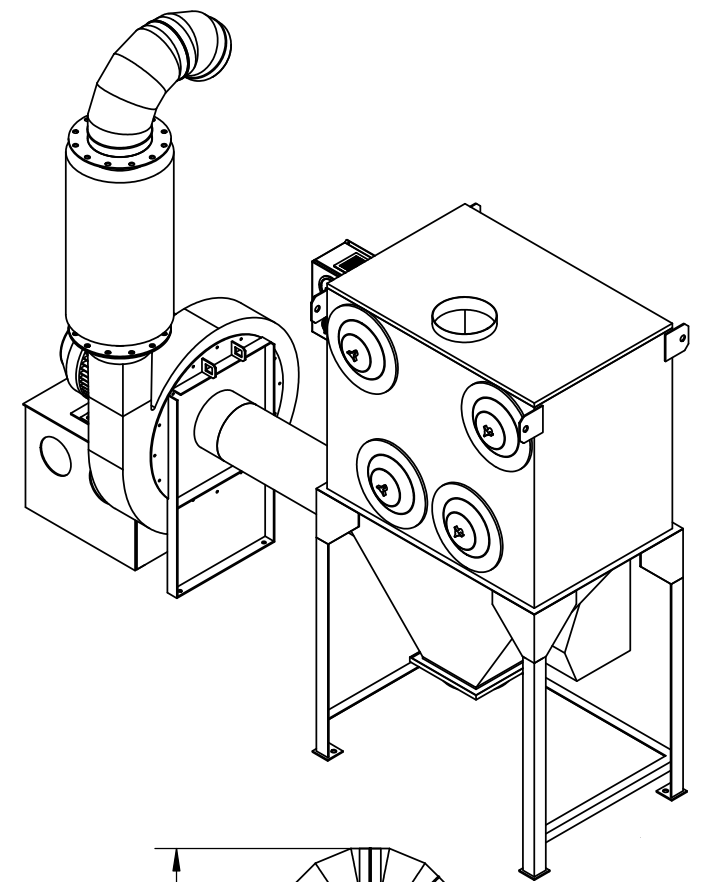
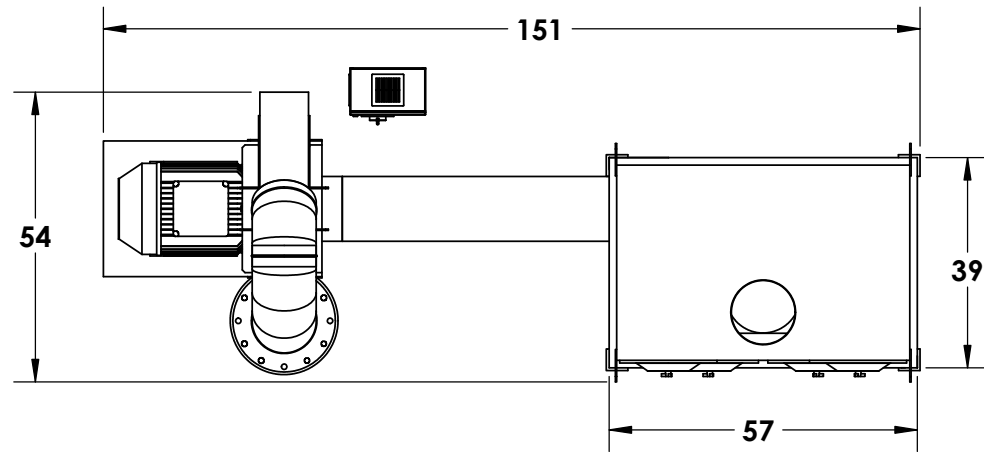
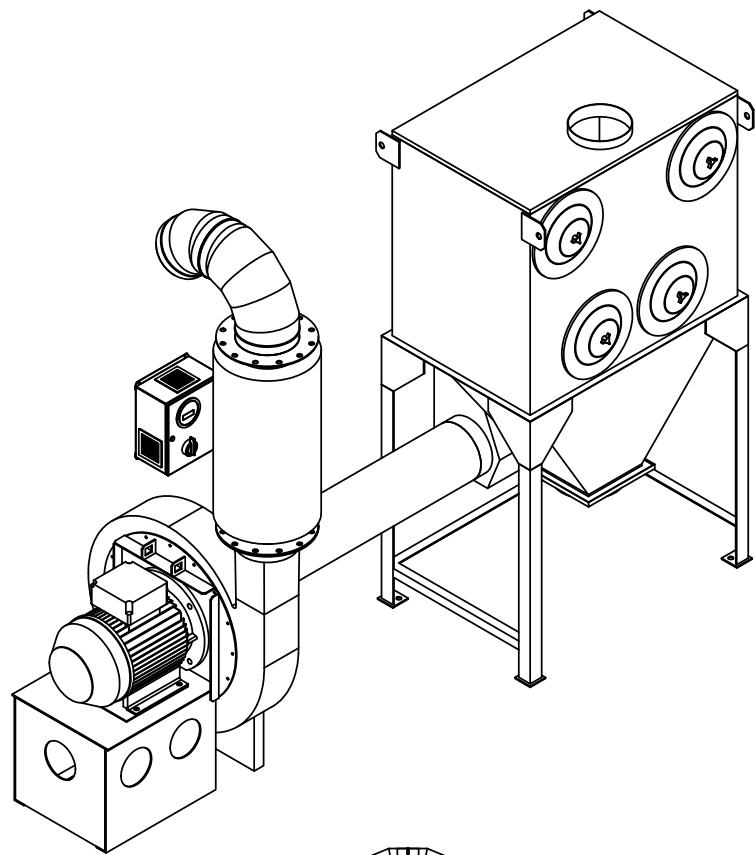
The device depicted and described hereon embodies proprietary information owned by the manufacturer. All design, manufacturing, reproduction, sales and patent rights regarding this device or drawing reserved except where explicit right is guaranteed in writing. We reserve the right to make design changes.

Drawn by: Janos B
Date: 1/8/2013
Scale: NTS
Weight: N/A



**04-045 DC-8-HP
HIGH PRESSURE DUST COLLECTOR**
Specification Drawing

Drawing No.: -
Material: -
File Name: DC-8-HP_-_SD
Sheet: 1/2



04-045

CUSTOMER:
 CUSTOMER P.O.:
 PROJECT:
 ENGINEER:
 SALES REP.:
 IDENTIFICATION / TAGGING:

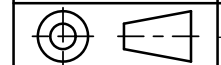
> www.lev-co.com • 1.888.862.5356

lev-co

The device depicted and described hereon embodies proprietary information owned by the manufacturer. All design, manufacturing, reproduction, sales and patent rights regarding this device or drawing reserved except where explicit right is guaranteed in writing. We reserve the right to make design changes.

Drawn by: Janos B
 Date: 1/8/2013
 Scale: NTS
 Weight: N/A

04-045 DC-8-HP
HIGH PRESSURE DUST COLLECTOR
 Specification Drawing



Drawing No.: -
 Material: -

File Name: DC-8-HP_-_SD

Sheet: 2/2