

SPECIFICATIONS:

CONSTRUCTION: 16 Gauge steel cabinet finished with a Powder-Coat finish. Includes locking filter mounting system, removable access doors to filters and direct drive motor and spark-resistant blower, top mounted grinding table with a heavy duty 300 PSF rated steel grate (max. table loading 550 lbs.), heavy duty 5" casters, power cord, and on-off switch. 3 phase motors wired to junction box outside of unit. Meets electrical requirements for Class 1, Group-D. (Motor starters/disconnects not included. Option only.)

WEIGHT: 250 lbs.

DOWNDRAFT VELOCITY: 150 FPM with std. 1.5 HP motor

NOISE: 72 dBA

- ELECTRICAL:**
- 1.5 HP 115/208-230/1/60, 17.0/8.5 amps, std. Hazard location Group-D
 - 1.5 HP 208-230/460/3/60/50, 4.9-4.6/2.3 amps, opt. Hazard location Group-D

FILTER SEAL: Positive sealing filter locking mechanism for all main filters. Requires no tools. Ultra-Seal on bag, main filter and AD.

- PREFILTERS:**
- (1) 2" Polyester, std.
 - (1) 2" Aluminum mesh, opt.

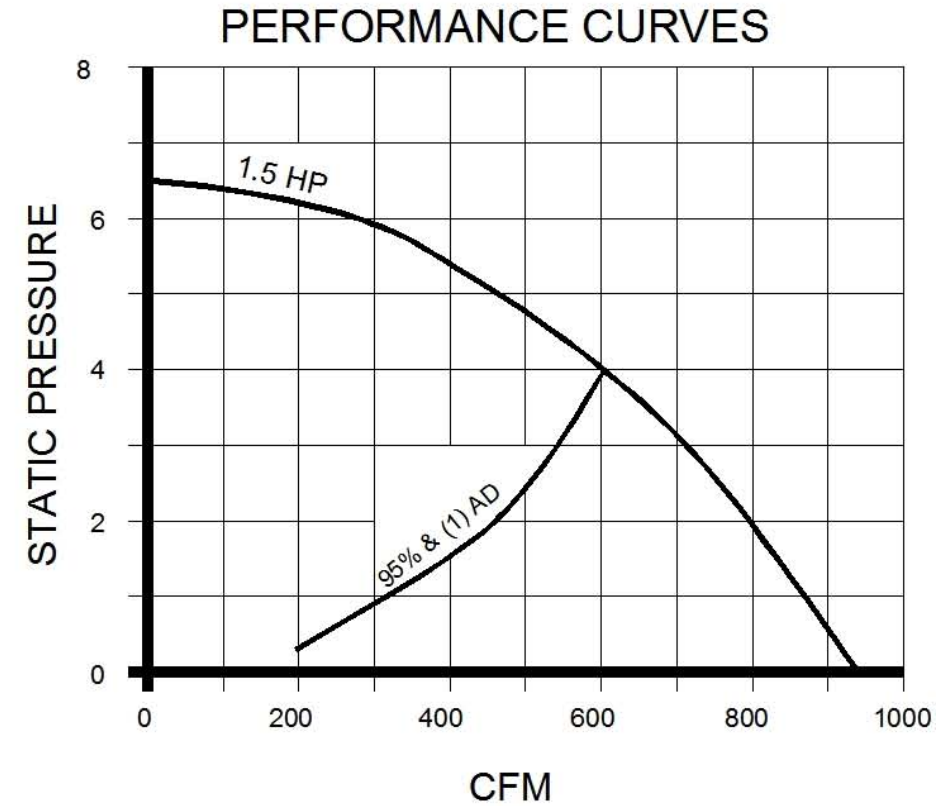
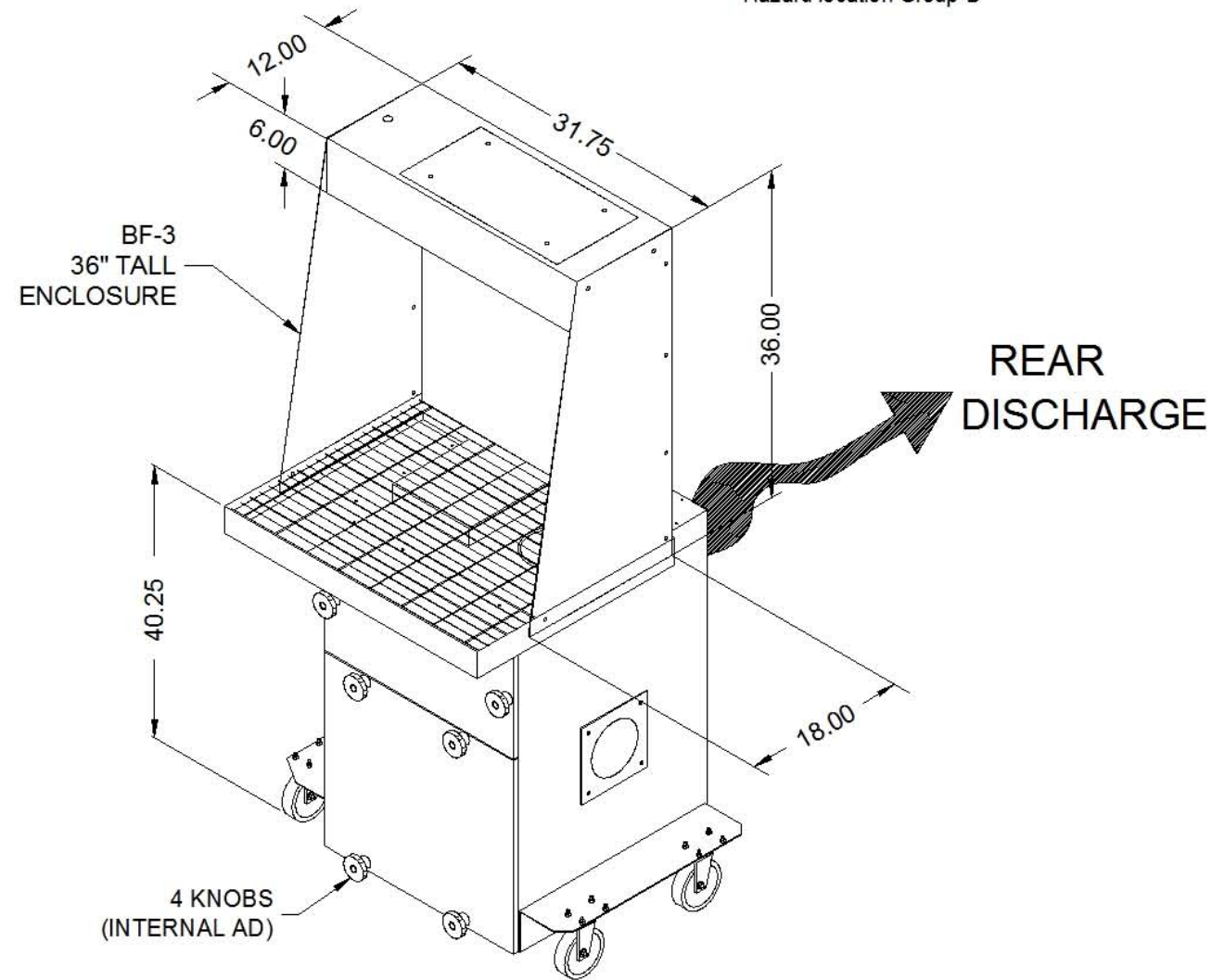
- MAIN FILTERS:**
- 95% Main filter and AD Module (18 lbs.), std.
 - 95% Main filter and double AD's (36 lbs.), opt.

AFTER FILTERS: (1) 2" Polyester, std.

- OTHER OPTIONS:**
- Pressure gauge kit indicates filter changes
 - Plastic coated grate.
 - Aluminum grate

FIRE SUPPRESSION: Equipment provided by others.

* AFS FILTER EFFICIENCIES BASED ON ASHRAE 52-76 TEST METHOD



08-02

CUSTOMER:
 CUSTOMER P.O.:
 PROJECT:
 ENGINEER:
 SALES REP.:
 IDENTIFICATION / TAGGING:

> www.lev-co.com • 1.888.862.5356

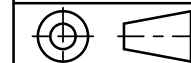
lev-co

The device depicted and described hereon embodies proprietary information owned by the manufacturer. All design, manufacturing, reproduction, sales and patent rights regarding this device or drawing reserved except where explicit right is guaranteed in writing. We reserve the right to make design changes.

Drawn by: JANOS-B
 Date: 8/24/2010
 Scale: NTS
 Weight: N/A

08-02 Paintbooth-800

Specification Drawing



Drawing No.: -
 Material: -
 File Name: (08-02) Paintbooth-800 - SD
 Sheet: 1/2

MODELS & OPTIONS

Part # Description

Main System / Part

- FB-800-1 Portable Paint Booth 1.5HP 115/1/60HZ
- FB-800-2 Portable Paint Booth, 1.5HP 208-230/460/3/60HZ
- FB-800-3 Portable Fume/Booth 1.5HP 575-600/3/60HZ

Filter Options (when ordering main unit)

- FB-800-2A 2" Aluminum Mesh Option for Standard FUME/BOOTH-800 Unit

Preventative Maintenance Pressure Gauges, etc. (when ordering main unit)

- FB-800-ALUM Aluminum Bar Grate Option for Standard FUME/BOOTH-800 Unit
- FB-800-COATED Vinyl Coated Bar Grate Option for Standard FUME/BOOTH-800 Unit
- FB-800-FIBER Fiberglass Bar Grate Option for Standard FUME/BOOTH-800 Unit
- FB-800-PG-10 0-10" magnahelic pressure gauge, approximately 5" diameter size. Surface mounted.

08-02



CUSTOMER:
 CUSTOMER P.O.:
 PROJECT:
 ENGINEER:
 SALES REP.:
 IDENTIFICATION / TAGGING:



The device depicted and described hereon embodies proprietary information owned by the manufacturer. All design, manufacturing, reproduction, sales and patent rights regarding this device or drawing reserved except where explicit right is guaranteed in writing. We reserve the right to make design changes.

Drawn by: JANOS-B
 Date: 8/24/2010
 Scale: NTS
 Weight: N/A

08-02 Paintbooth-800	
Specification Drawing	
Drawing No.: -	File Name: (08-02) Paintbooth-800 - SD
Material: -	Sheet: 2/2