

**CONSTRUCTION:**

16 Ga. welded zinc coated steel cabinet, finished with Powder-coat finish. The 3/4 hp includes a direct drive 10"x10" blower w/4-way adjustable airfoil blade exhaust grille, a totally enclosed motor, and a 10' power cord and plug.

continued... →

**SPECIFICATIONS:**

The 3 hp Includes a direct drive, ball bearing, B.I. blower, and an acoustic lined inlet plenum and blower compartment. Motor starters/disconnects NOT included.

(Filter combinations are for one pod – 4 compartments in each pod.) Number of pods \_\_\_\_\_.

**WEIGHT:** 320 lbs. (AP1); ??? lbs. (AP2); ??? lbs. (AP3)

**AIRFLOW:** 2500 CFM (3/4 HP)  
(STD AIR) 5000 CFM (3 HP)  
4500 CFM W/HEPA or AD

**NOISE:** 68 dBA (3/4 HP); 77dBA (3 HP)

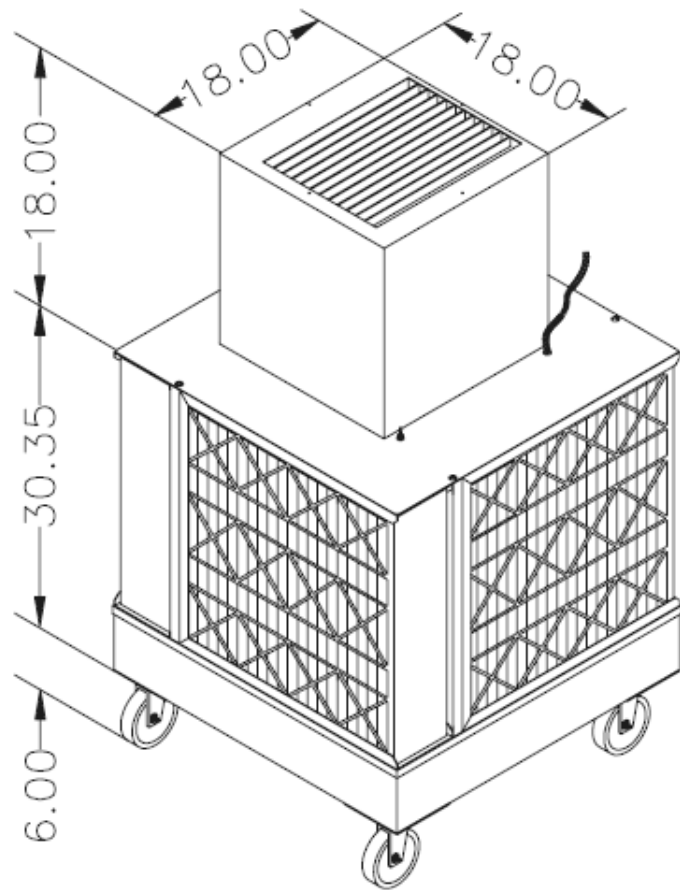
**ELECTRICAL:**  3/4 HP 115/1/60, 11.4 amps, 2 speed (AIR POD 1 & 2)  
 3HP 208-230/460/3/60, 7.8-7.2/4 amps (AIR POD 2 & 3)  
 3HP 230/1/60, 11.7 amps (AIR POD 2 & 3)

**MAIN FILTERS:**  (4) 24 x 24 x 6 MERV 11, 42<sup>2</sup> ft. each, std.  
 (12) 24 x 24 x 2 MERV 11, opt.  
 (4) 2" MERV 11 and (4) 4" 30% Pleat, opt.  
 (4) 2" MERV 11 and (4) 4" MERV 14, washable synthetic, opt.

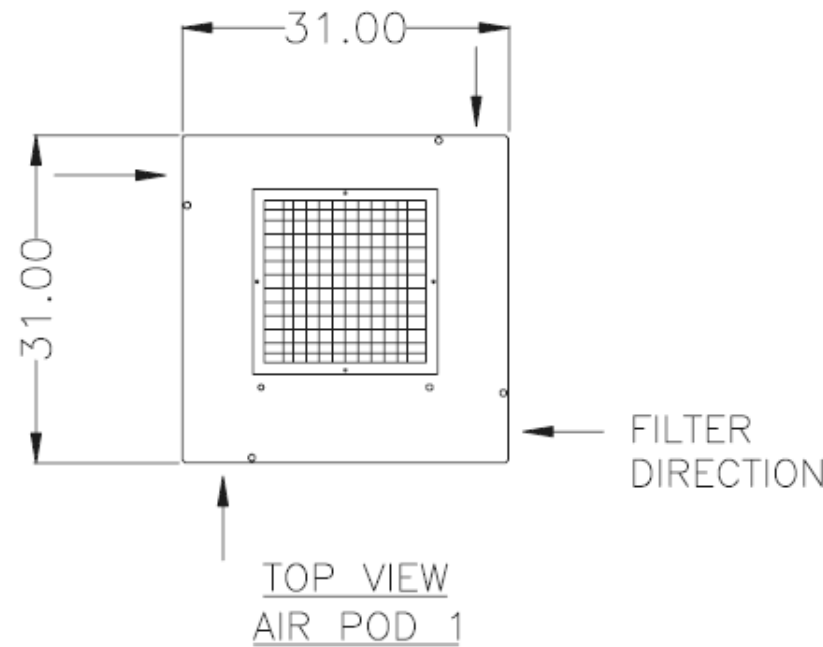
**AD OPTION:**  (4) 2" MERV 11 and (4) 3" 30 lb. AD modules, refillable  
 (4) 2" MERV 11 and (4) 2" charcoal/poly pads (replaceable) w/(4) 2" poly after-filters

**OTHER OPTIONS:**  Pressure gauge kit indicates filter changes.

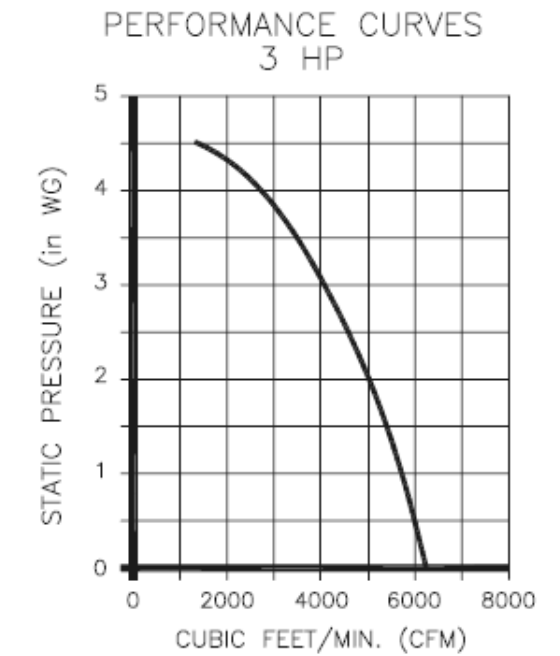
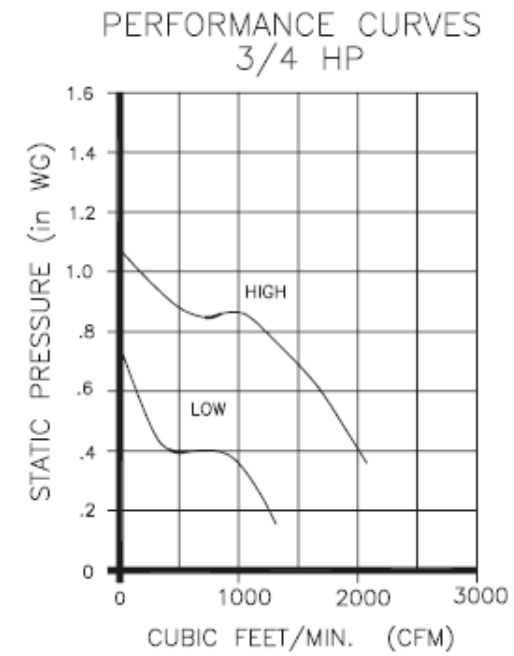
**FIRE SUPPRESSION:** Equipment provided by others.



AIR POD 1



TOP VIEW  
AIR POD 1



CUSTOMER:	
CUSTOMER P.O.:	
PROJECT:	
ENGINEER:	
SALES REP.:	
IDENTIFICATION / TAGGING:	

[www.lev-co.com](http://www.lev-co.com) • 1.888.862.5356



The device depicted and described hereon embodies proprietary information owned by the manufacturer. All design, manufacturing, reproduction, sales and patent rights regarding this device or drawing reserved except where explicit right is guaranteed in writing. We reserve the right to make design changes.

Drawn by:	JANOS-B
Date:	3/20/2008
Scale:	NTS
Weight:	N/A

<b>AIRPOD AIRCLEANER</b>	
Specification Drawing	
Drawing No.:	File Name: (09-07) AirPOD - SD
Material:	Sheet: 1/2

**MODELS & OPTIONS**

**Part # Description**

**Main System / Part**

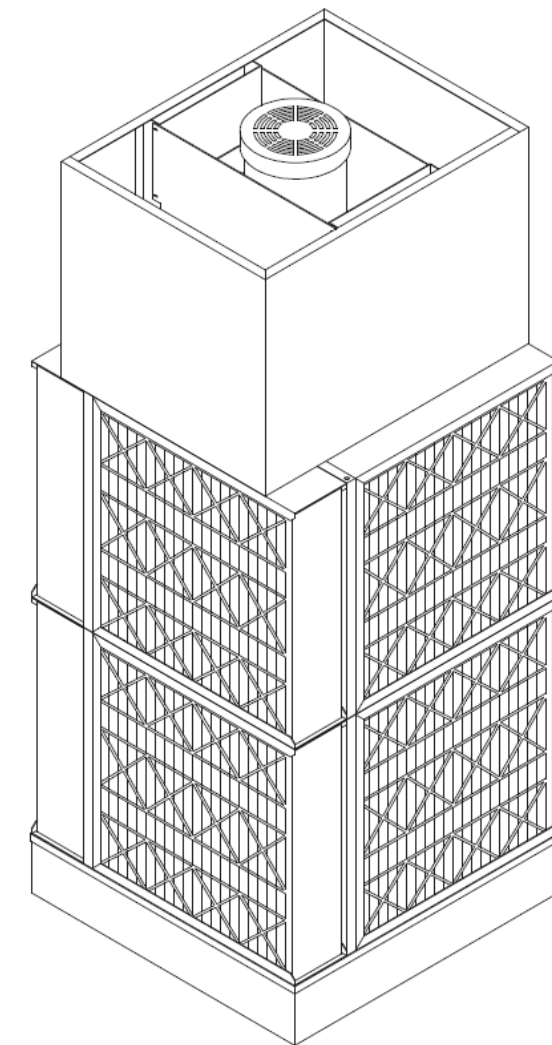
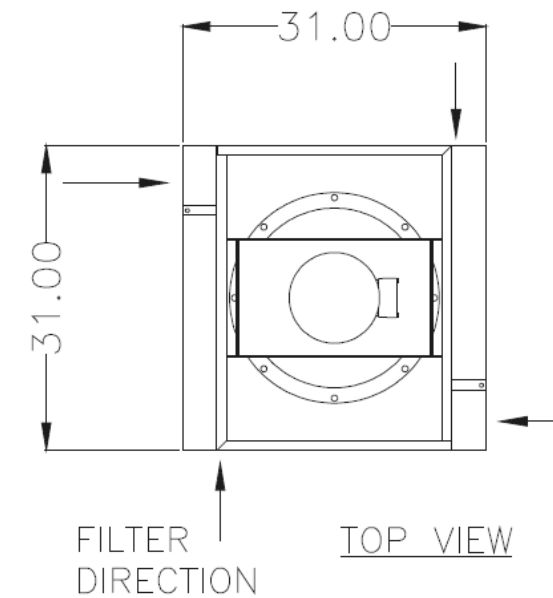
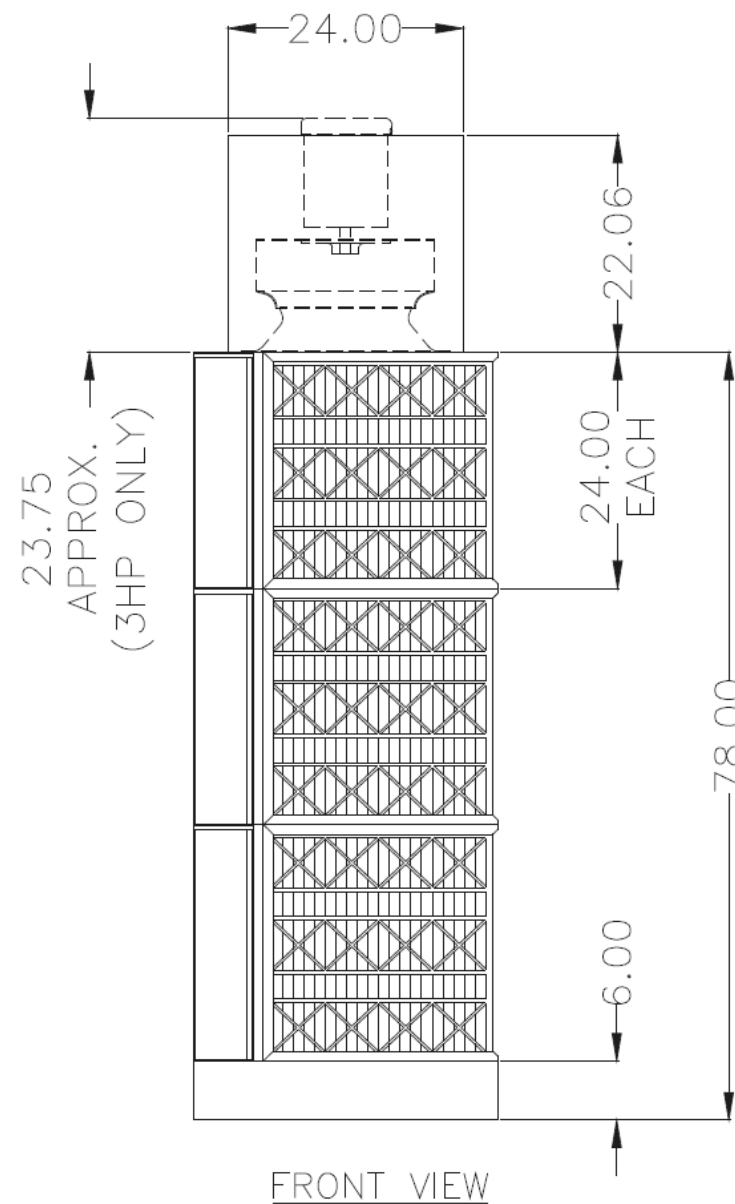
- AirPod I** 2500 cfm portable ambient air cleaner with no filters, silencer with airfoil upward directional vanes, 3/4 HP 115/1/60Hz (11.4 amps), 64 dBA (Low) 64 dBA (High) TEAO dual speed motor, 7' power cord, on/off toggle switch on top of unit. Unit comes w/o filters. Order filters separately. (4 sets of filters required)
- AirPod II** 2500 cfm portable ambient air cleaner with no filters, silencer with airfoil upward directional vanes, 3/4 HP 115/1/60Hz (11.4 amps), 64 dBA (Low) 64 dBA (High) TEAO dual speed motor, 7' power cord, on/off toggle switch on top of unit. Unit comes w/o filters. Order filters separately. (8 sets of filters required)
- AirPod IIA** 5500 cfm ambient air cleaner with no filters, 3HP 208-230/575/3/60Hz (7.8-7.2/4.0 amps) 77 dBA, TEFC direct drive BI blower assembly, built in Silencer with acoustical lining. Not portable. Unit comes w/o filters. Order filters separately. (8 sets of filters required)
- AirPod III** 5000 cfm floor mounted ambient air cleaner with no filters, built in Silencer with acoustical lining, 3HP 208-230/575/3/60Hz (7.8-7.2/4.0 amps) 77 dBA, TEFC direct drive BI blower assembly. Unit comes w/o filters. Order filters separately. (12 sets of filters required)

**Preventative Maintenance Pressure Gauges, etc. (when ordering main unit)**

- 2PG3-APOD** 0-3" Minihelic gauge, flush mounted

**Misc. Options (when ordering main unit)**

- 2KT4-9801-CASTERS** Casters Kit Option for AirPod II



CUSTOMER:  
 CUSTOMER P.O.:  
 PROJECT:  
 ENGINEER:  
 SALES REP.:  
 IDENTIFICATION / TAGGING:

[www.lev-co.com](http://www.lev-co.com) • 1.888.862.5356



The device depicted and described hereon embodies proprietary information owned by the manufacturer. All design, manufacturing, reproduction, sales and patent rights regarding this device or drawing reserved except where explicit right is guaranteed in writing. We reserve the right to make design changes.

Drawn by: JANOS-B  
 Date: 3/20/2008  
 Scale: NTS  
 Weight: N/A

**AIRPOD AIRCLEANER**

Specification Drawing

Drawing No.: - File Name: (09-07) AirPOD - SD  
 Material: - Sheet: 2/2