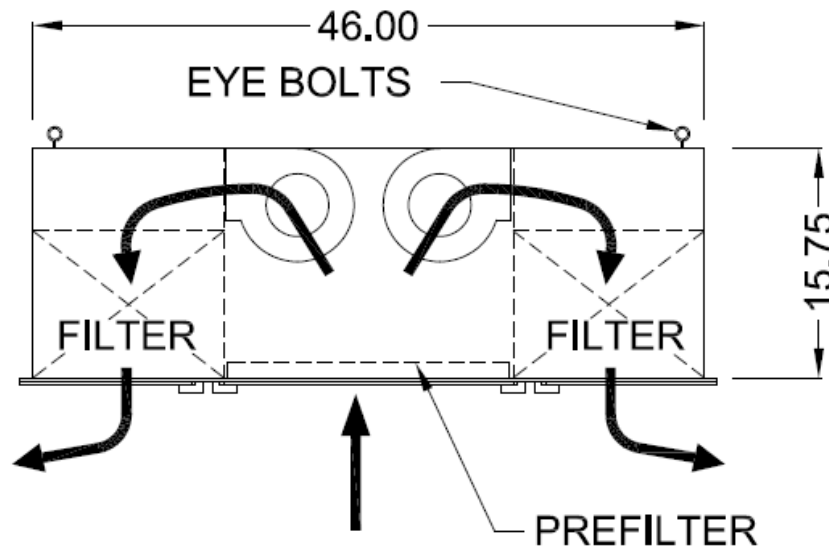


GRILLE

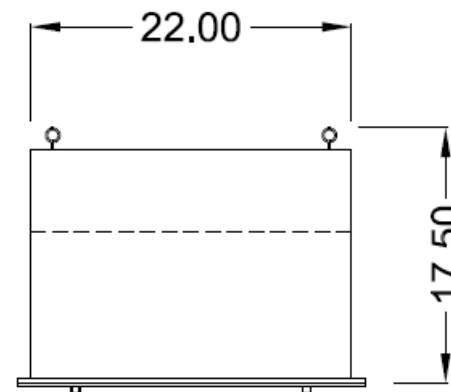
GRILLE RETAINER KNOBS

FRONT VIEW



AIR FLOW

SIDE VIEW



END VIEW

**SPECIFICATIONS:**

**CONSTRUCTION:** 18 Gauge flush mount, painted steel cabinet with 2 direct drive 9" centrifugal blowers, 2 curved blade 3-way adjustable outlet grilles, metal eggcrate intake grille, and a running light. Motor wired to junction box on inside of unit.

**WEIGHT:** 95 lbs.

**AIRFLOW:** 1000, 800, 400 CFM

**NOISE LEVEL:** 61 dBA, 59 dBA, 55dBA

**ELECTRICAL:**  (2)1/12 HP, 115/1, 2.6 amps, 3 speed, std.  
 (2)1/8- HP 277/1, .83 amps, 3 speed, opt.

**PREFILTERS:**  (1) 1/2" Aluminum Mesh  
 (1) 5/8" disposable polyester, opt.

**MAIN FILTERS:**  (2) 28 ft 95%, std.  
 HEPA, 99.97%, opt.

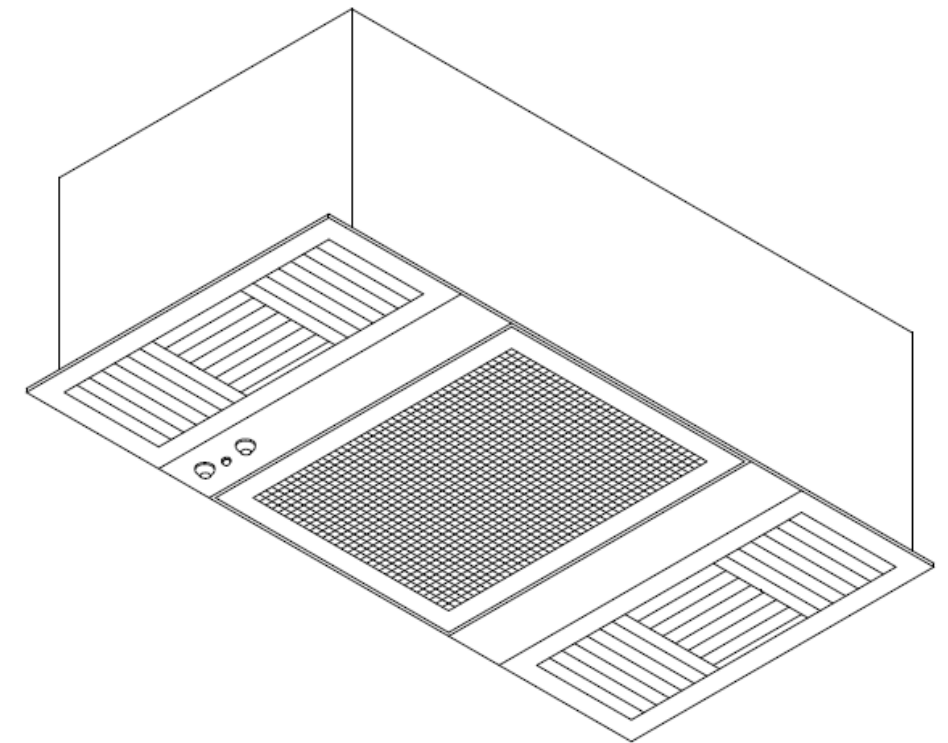
**AFTER FILTERS:**  (2) 1/2" charcoal

**AD OPTION:**  (1) v-bank, refillable adsorber module, 14 lb. in place of std. 95% main filter, opt.

**ODOR/EX:**  Deodorizer cartridge

**OTHER OPTIONS:**  Pressure gauge kit indicates filter changes  
 Remote wall switch.

\* AFS FILTER EFFICIENCIES BASED ON ASHRAE 52-76 TEST METHOD



09-11

CUSTOMER:
CUSTOMER P.O.:
PROJECT:
ENGINEER:
SALES REP.:
IDENTIFICATION / TAGGING:

> [www.lev-co.com](http://www.lev-co.com) • 1.888.862.5356

**lev-co**

The device depicted and described hereon embodies proprietary information owned by the manufacturer. All design, manufacturing, reproduction, sales and patent rights regarding this device or drawing reserved except where explicit right is guaranteed in writing. We reserve the right to make design changes.

Drawn by:	JANOS-B
Date:	5/1/2008
Scale:	NTS
Weight:	N/A



<b>09-11 FM1000</b>	
<b>Flush Mounted Air Cleaner</b>	
<b>Specification Drawing</b>	
Drawing No.: -	File Name: (09-11) FM1000 - SD
Material:	Product manufactured by:
<b>Airflow</b> SYSTEMS INC.	
Sheet: 1/2	

**MODELS & OPTIONS**

**Part # Description**

**Main System / Part**

       FM1000 1000 CFM flush mount unit. Fits in standard 2' x 4' ceiling tile opening. Includes (1) 1/2" aluminum mesh prefilter, (2) 95% main filters (14ft<sup>2</sup> each), (2) 1/2" charcoal after-filters, and an ODOR/EX deodorizer.

**Fan / Motor Upgrades or Options (when ordering main unit)**

       FM1000-227V 277V Motor Option for Standard FM1000 Unit

**Filter Options (when ordering main unit)**

       FM1000-AD AD Module Option for Standard FM1000 Unit (order carbon separately)

       FM1000-HE 99.97% HEPA Filter Option for Standard FM1000 Unit

       FM1000-PP 5/8" Polyester Prefilter Option for Standard FM1000 Unit

**09-11**

CUSTOMER:  
 CUSTOMER P.O.:  
 PROJECT:  
 ENGINEER:  
 SALES REP.:  
 IDENTIFICATION / TAGGING:

> [www.lev-co.com](http://www.lev-co.com) • 1.888.862.5356



The device depicted and described hereon embodies proprietary information owned by the manufacturer. All design, manufacturing, reproduction, sales and patent rights regarding this device or drawing reserved except where explicit right is guaranteed in writing. We reserve the right to make design changes.

Drawn by: JANOS-B  
 Date: 5/1/2008  
 Scale: NTS  
 Weight: N/A

**09-11 FM1000**  
**Flush Mounted Air Cleaner**  
**Specification Drawing**

Drawing No.: - File Name: (09-11) FM1000 - SD  
 Material: Product manufactured by: **Airflow** SYSTEMS INC. Sheet: 2/2