

TOP VIEW

CONSTRUCTION:

18 Gauge steel cabinet finished with a Powder-Coat Finish. Includes Ultra-Seal filter mounting system, a 2" sump, front access filter door, 6" inlet collar on bottom with a 1.5" diameter rubber gasket for machine mounting, B.I. blower, built in exhaust silencer with acoustical lining, on-off switch, and a 6' power cord (115V). Three phase units wired to junction box; circuit and motor overload protection by others.

WEIGHT:

105 lbs,

AIRFLOW:

400 CFM

ELECTRICAL:

- 3/4 HP B.I., 115/208-230/1/60, 9.8/4.9 amps, std.
- 3/4 HP B.I., 208-230/460/3/60, 2.7-2.6/1.3 amps, opt.

NOISE:

73 dBA

FILTER SEAL:

Ultra-Seal with positive seal filter locking mechanism for main filter.

FIRE SUPPRESSION:

Equipment provided by others.

SPECIFICATIONS:

PREFILTERS:

- (1) 1" Aluminum mesh, std.
- (1) 1" Polyester pad, opt.

MAIN FILTERS:

(1) MistPlus Filter

UNIT EFFICIENCY:

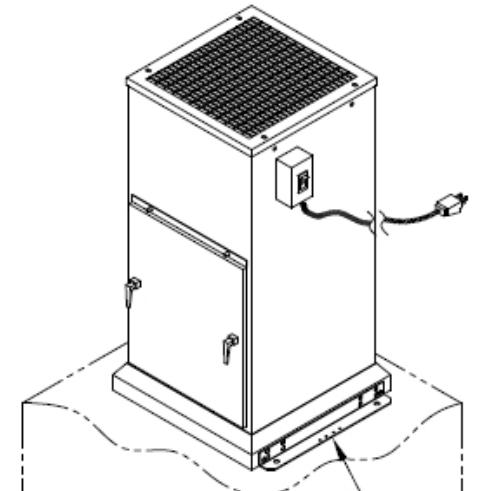
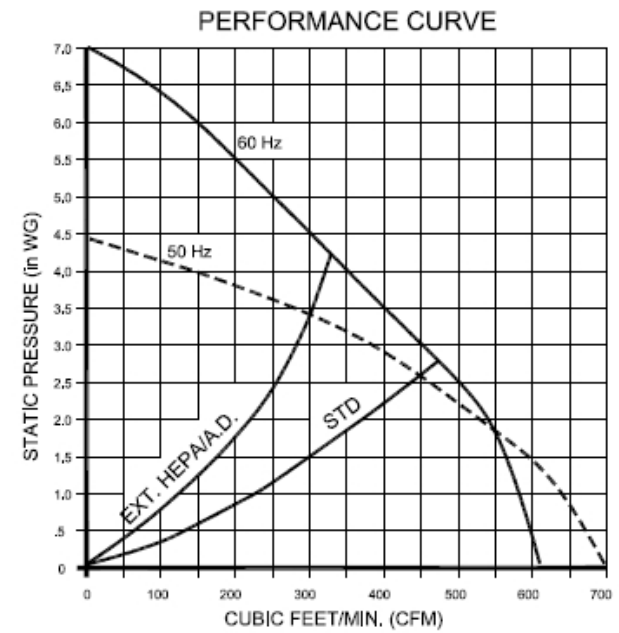
95% Minimum on U.N.C. Oil Mist Test

AFTER FILTERS:

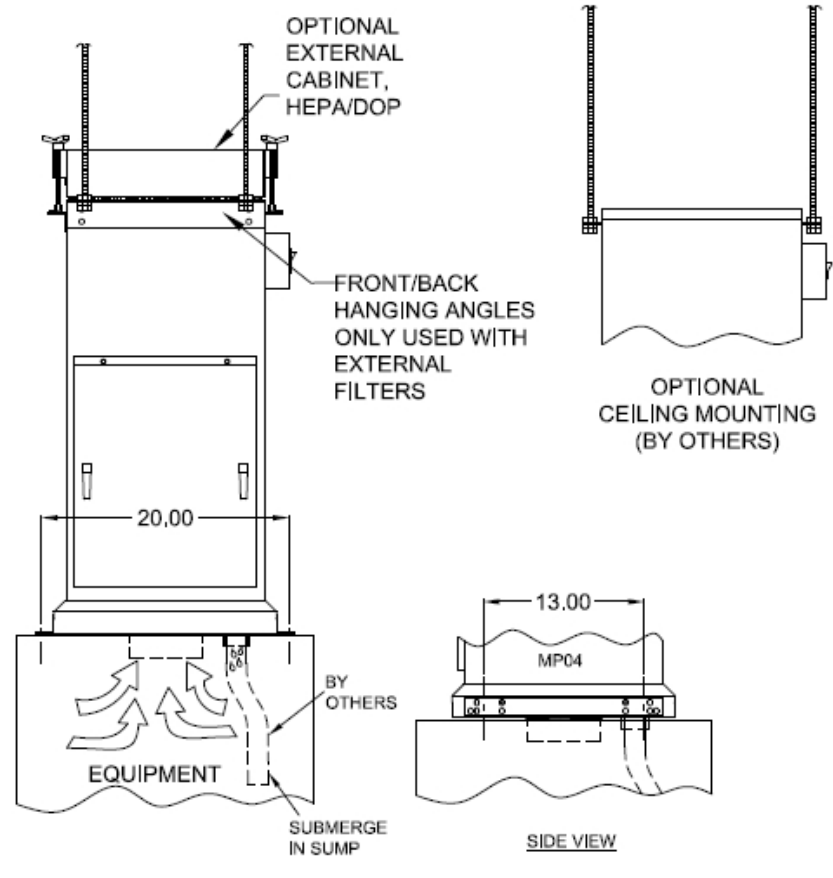
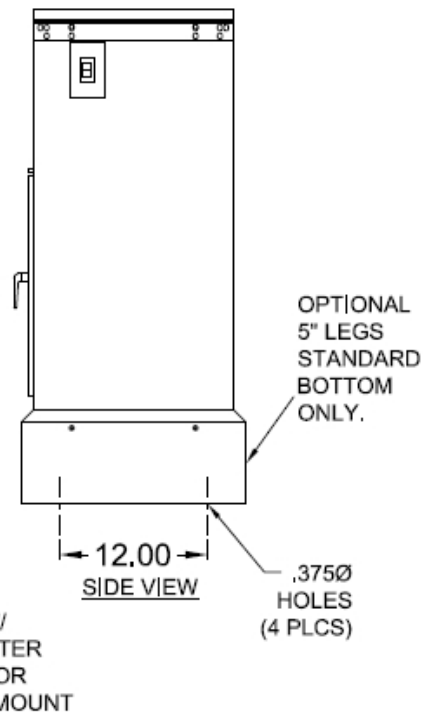
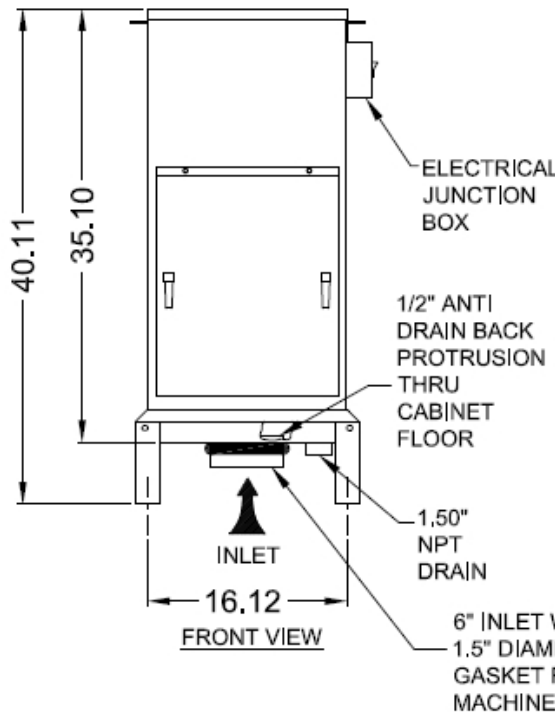
- (1) 99.97% HEPA, Ext., opt.
- (1) 95% D.O.P., Ext., opt.
- (1) AD Module, Ext., with 2" poly after-filter, opt.

OTHER OPTIONS:

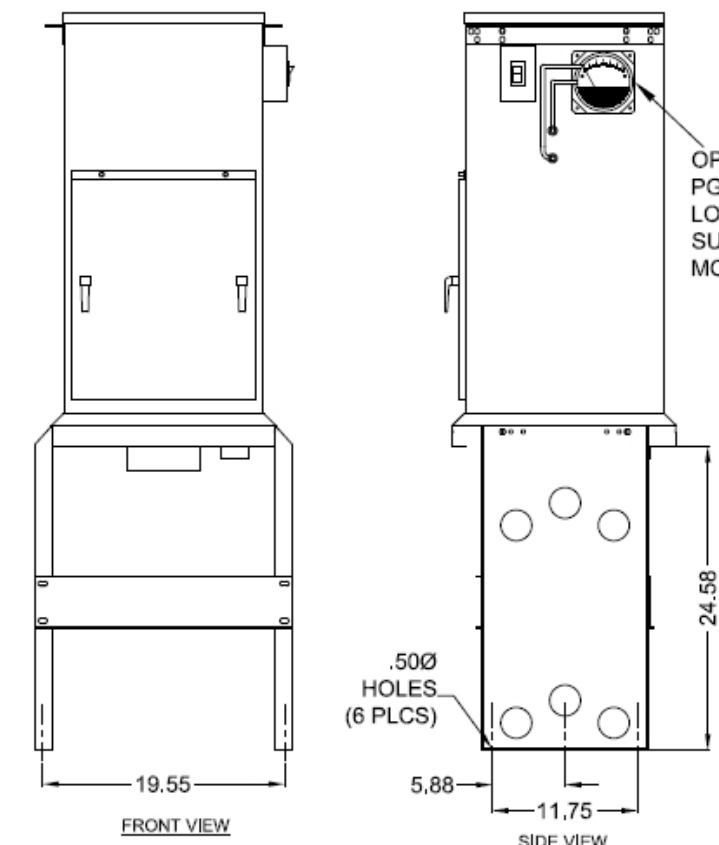
- Pressure gauge kit (Indicates filter changes.)
- 5" Legs
- 26" Legs



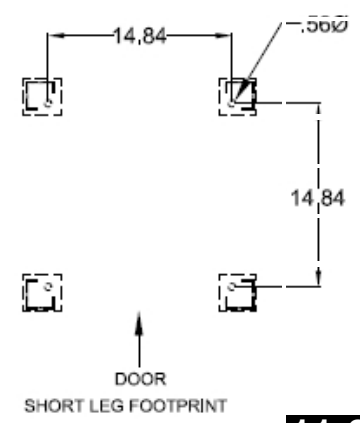
HANGING BRACKETS TRANSFERRED WHEN MACHINE MOUNTED



BASIC CONFIGURATION - EQUIPMENT MOUNTED



OPTIONAL 26" LEG STAND



DOOR SHORT LEG FOOTPRINT

11-02

CUSTOMER:	
CUSTOMER P.O.:	
PROJECT:	
ENGINEER:	
SALES REP.:	
IDENTIFICATION / TAGGING:	

www.lev-co.com • 1.888.862.5356



The device depicted and described hereon embodies proprietary information owned by the manufacturer. All design, manufacturing, reproduction, sales and patent rights regarding this device or drawing reserved except where explicit right is guaranteed in writing. We reserve the right to make design changes.

Drawn by:	JANOS-B
Date:	5/1/2008
Scale:	NTS
Weight:	N/A

11-02 MP4	
Mist Collector	
Specification Drawing	
Drawing No.:	File Name: (10-08) 203 Filter Pack - SD
Material:	Product manufactured by: Airflow SYSTEMS INC.
Sheet: 1/2	

MODELS & OPTIONS

Part #	Description
Main System / Part	
<input type="checkbox"/> MP4-1	MP4 industrial air cleaner with a TEFC motor 115-230/1/60 Hz
<input type="checkbox"/> MP4-2	MP4 industrial air cleaner with a TEFC motor 208-230-460/3/60 Hz
<input type="checkbox"/> MP4-3	MP4 industrial air cleaner with a TEFC motor 575-600/3/60 Hz

Filter Options (when ordering main unit)	
<input type="checkbox"/> MP4-1P	1" Polyester Pad Option for Standard MP4 Unit
<input type="checkbox"/> MP4-EXAD	External Adsorber Module Option for Standard MP4 Unit
<input type="checkbox"/> MP4-EXDOP	External 95% @ 0.3 micron DOP Option for Standard MP4 Unit
<input type="checkbox"/> MP4-EXHE	External 99.97% @ 0.3 micron HEPA Option for Standard MP4 Unit
<input type="checkbox"/> MP4-EXHE/AD	External 99.97% @ 0.3 micron HEPA with external adsorber module, 18lbs. Capacity with 2" polyester after-filter, 275 cfm. Order charcoal separately.

Preventative Maintenance Pressure Gauges, etc. (when ordering main unit)	
<input type="checkbox"/> PG-6	0-6" magna-helic pressure gauge, approximately 5" diameter size. Surface mounted.

Unit Retrofit Parts (for existing units)	
<input type="checkbox"/> MP4-HEPA-RTO	To retro-fit MP4 unit with HEPA (99.97% @ 0.3 micron) after-filter option. Includes HEPA filter, top panel and mounting hardware.
<input type="checkbox"/> PG6-RTO	Pressure Gauge Kit to retro-fit MP4 unit. Magnahelic guage 0-10"

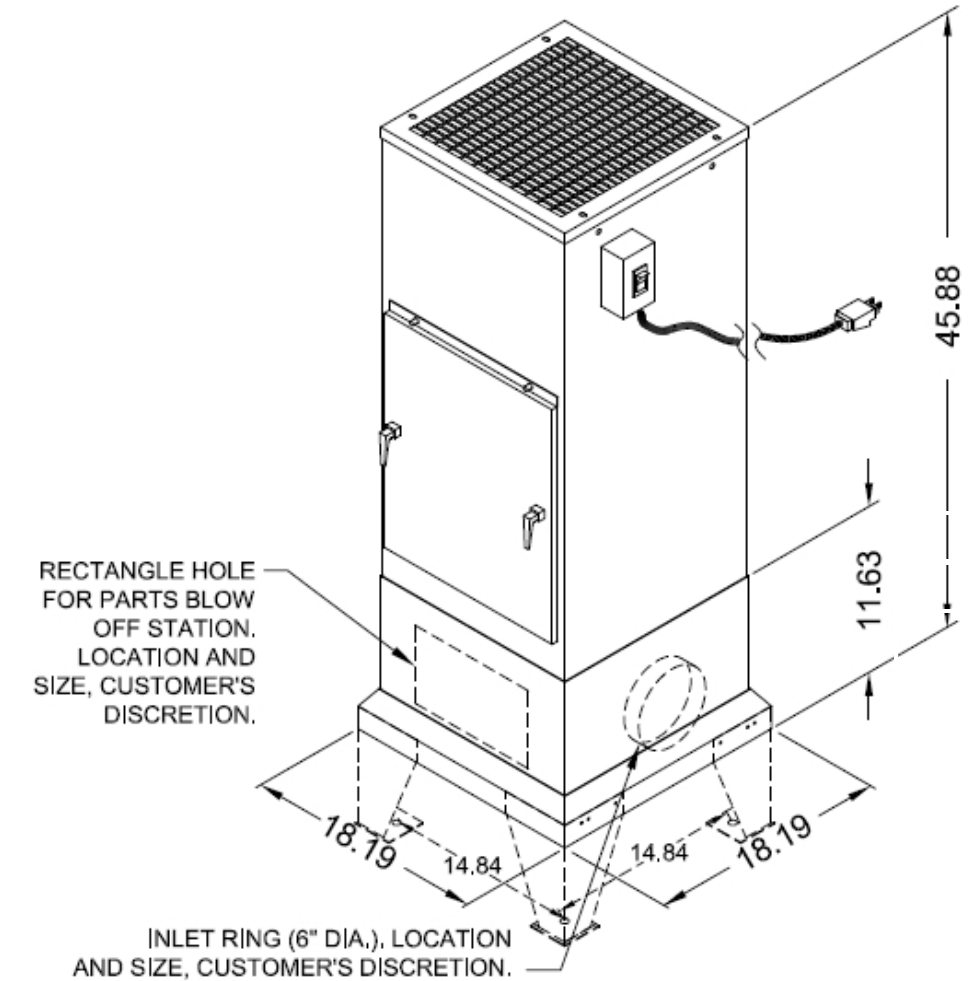
Bridge Clamps	
<input type="checkbox"/> MD-530-050-100	2" Ø Bridge Clamp. Clamping range of 50mm-70mm
<input type="checkbox"/> MD-530-075-100	3" Ø Bridge Clamp. Clamping range of 70mm-90mm
<input type="checkbox"/> MD-530-100-100	4" Ø Bridge Clamp. Clamping range of 100mm-120mm
<input type="checkbox"/> MD-530-125-100	5" Ø Bridge Clamp. Clamping range of 120mm-140mm
<input type="checkbox"/> MD-530-150-100	6" Ø Bridge Clamp. Clamping range of 150mm-170mm
<input type="checkbox"/> MD-530-200-100	8" Ø Bridge Clamp. Clamping range of 200mm-220mm

Hose Rings	
<input type="checkbox"/> HR-2-OM	2" dia. Hose Ring to connect oil mist hose to CNC machine
<input type="checkbox"/> HR-3-OM	3" dia. Hose Ring to connect oil mist hose to CNC machine
<input type="checkbox"/> HR-4-OM	4" dia. Hose Ring to connect oil mist hose to CNC machine
<input type="checkbox"/> HR-5-OM	5" dia. Hose Ring to connect oil mist hose to CNC machine
<input type="checkbox"/> HR-6-OM	6" dia. Hose Ring to connect oil mist hose to CNC machine
<input type="checkbox"/> HR-8-OM	8" dia. Hose Ring to connect oil mist hose to CNC machine

Part #	Description
Hose for Oil Mist	
<input type="checkbox"/> MD-311-075-401	3" Ø Master Pur-SL Hose. Super lightweight polyester/polyurethane w/wire reinforcement. Very flexible and clear. Minimum 5 times wear life improvement over PVC and TPR. Price per ft. (10' Length Minimum)
<input type="checkbox"/> MD-311-100-401	4" Ø Master Pur-SL Hose. Super lightweight polyester/polyurethane w/wire reinforcement. Very flexible and clear. Minimum 5 times wear life improvement over PVC and TPR. Price per ft. (10' Length Minimum)
<input type="checkbox"/> MD-311-125-401	5" Ø Master Pur-SL Hose. Super lightweight polyester/polyurethane w/wire reinforcement. Very flexible and clear. Minimum 5 times wear life improvement over PVC and TPR. Price per ft. (10' Length Minimum)
<input type="checkbox"/> MD-311-150-401	6" Ø Master Pur-SL Hose. Super lightweight polyester/polyurethane w/wire reinforcement. Very flexible and clear. Minimum 5 times wear life improvement over PVC and TPR. Price per ft. (10' Length Minimum)
<input type="checkbox"/> MD-311-200-401	8" Ø Master Pur-SL Hose. Super lightweight polyester/polyurethane w/wire reinforcement. Very flexible and clear. Minimum 5 times wear life improvement over PVC and TPR. Price per ft. (10' Length Minimum)
<input type="checkbox"/> MD-311-050-401	2.0" Ø Master Pur-SL Hose. Super lightweight polyester/polyurethane w/wire reinforcement. Very flexible and clear. Minimum 5 times wear life improvement over PVC and TPR. Price per ft. (10' Length Minimum)

Installation Accessories	
<input type="checkbox"/> MP4-DL	Drain loop kit. Includes 1.5" x 3/4" reducer fitted with 3/4" copper p-trap pipe with fittings and instructions.
<input type="checkbox"/> Tubing-3/4"	3/4" I.D. Clear Plastic Tubing. Priced per foot.
<input type="checkbox"/> MP-1.5DL	1.5" dia. Drain Loop kit c/w PVC pipe, fittings, ball valve and glue
<input type="checkbox"/> MP-SEAL	Astroseal Sealant

Installation Option & Accessories	
<input type="checkbox"/> MP4-STAND 24	24" High Stand Option for Standard MP4 Unit
<input type="checkbox"/> MP4-STAND 5	5" High Stand Option for Standard MP4 Unit
<input type="checkbox"/> MP4-INLETPLENUM	Inlet plenum with 6" inlet on any side, in place of standard removal bottom. Add 11" to height



11-02

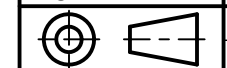
CUSTOMER:
CUSTOMER P.O.:
PROJECT:
ENGINEER:
SALES REP.:
IDENTIFICATION / TAGGING:

> www.lev-co.com • 1.888.862.5356

lev-co

The device depicted and described hereon embodies proprietary information owned by the manufacturer. All design, manufacturing, reproduction, sales and patent rights regarding this device or drawing reserved except where explicit right is guaranteed in writing. We reserve the right to make design changes.

Drawn by:	JANOS-B
Date:	5/1/2008
Scale:	NTS
Weight:	N/A



11-02 MP4 Mist Collector	
Specification Drawing	
Drawing No.:	File Name: (10-08) 203 Filter Pack - SD
Material:	Product manufactured by: Airflow SYSTEMS INC.
Sheet: 2/2	