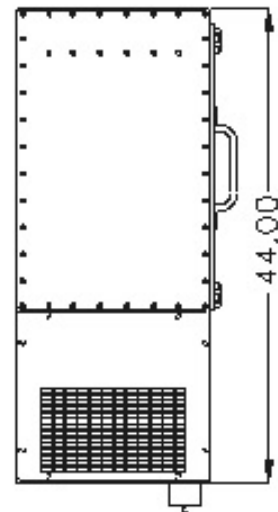


## SPECIFICATIONS:



TOP VIEW

**CONSTRUCTION:** 18 Gauge welded steel cabinet with Powder-Coat finish. Includes filter access door on left side for left hand applications, Ultra-Seal® filter mounting system, acoustically lined B.L. blower cabinet, 2" deep sump with a 10" bottom inlet collar, on-off switch, and a 10' power cord (115V). Three phase units wired to a junction box; circuit and motor overload protection by others.

**WEIGHT:** 170 lbs.

**AIRFLOW:** 800 CFM

**NOISE:** 75 dBA

**ELECTRICAL:**

- 1 HP 115/1/60, 12 amps. std.
- 1 HP 208-230/460/3/60, 3.7-3.6/1.8 amps. opt
- 3/4 HP 115/208-230/1/60, 9.8/4.9 amps. opt.
- 3/4 HP 208-230/460/3/60, 2.7-2.6/1.3 amps. opt.

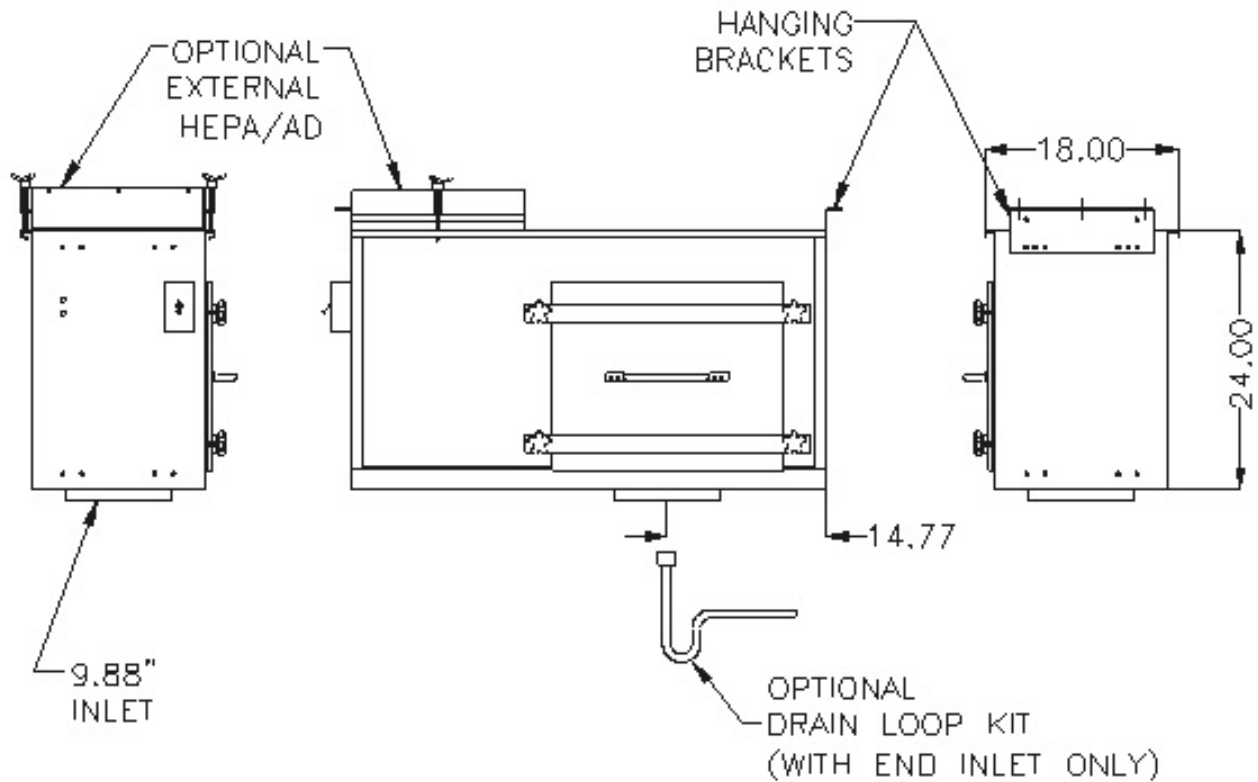
**MAIN FILTERS:**  (2) MistPlus® Filters  
 (2) MistPlus® II Filters

**UNIT EFFICIENCY:** 95% Minimum on U.N.C. Oil Mist Test

**AFTER FILTERS:**  (1) External HEPA filter, 99.97%, Opt.  
 (1) External DOP filter, 95%, Opt.  
 (1) External adsorber, Opt.  
 (1) Activated Charcoal, Opt.  
 (1) KMNO4, Opt.

**OTHER OPTIONS:**  Pressure gauge kit indicates filter changes  
 Drain loop kit  
 Additional inlet

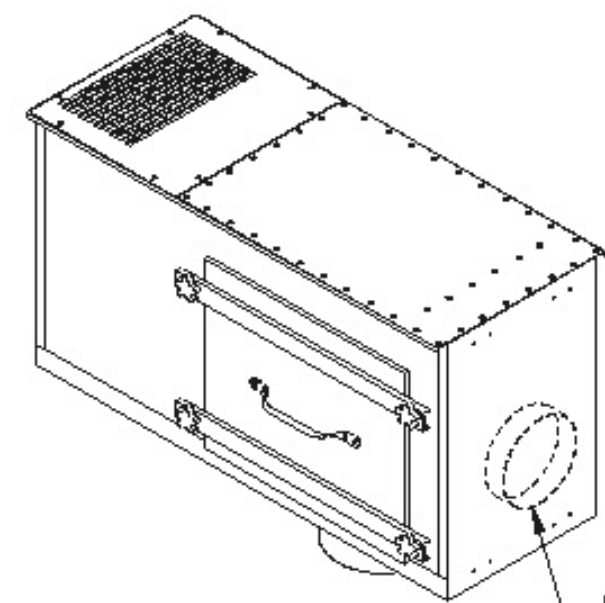
**FIRE SUPPRESSION:** Equipment provided by others.



LEFT SIDE VIEW

FRONT VIEW

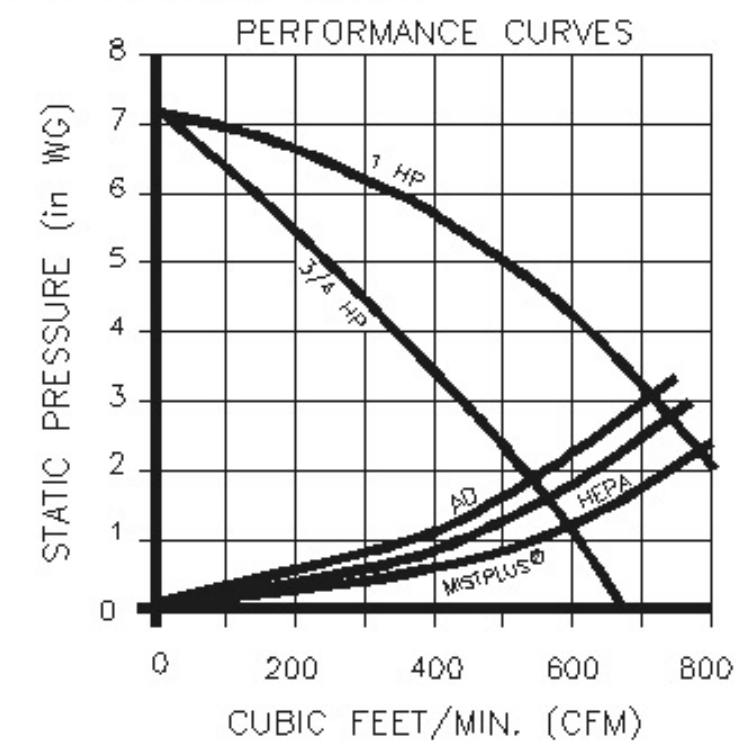
RIGHT SIDE VIEW



OPTIONAL "IA" LOCATION

**NOTES:**

Items designated as  are included in this proposal.



CUSTOMER:	
CUSTOMER P.O.:	
PROJECT:	
ENGINEER:	
SALES REP.:	
IDENTIFICATION / TAGGING:	

[www.lev-co.com](http://www.lev-co.com) • 1.888.862.5356



The device depicted and described hereon embodies proprietary information owned by the manufacturer. All design, manufacturing, reproduction, sales and patent rights regarding this device or drawing reserved except where explicit right is guaranteed in writing. We reserve the right to make design changes.

Drawn by:	Janos B
Date:	11/6/2014
Scale:	NTS
Weight:	N/A

<b>MPH8-v.2.</b>	
<b>LEFT HAND SIDE VERSION</b>	
Specification Drawing	
Drawing No.:	File Name: MPH8-v.2-LH_-SD
Material:	Sheet: 1/1