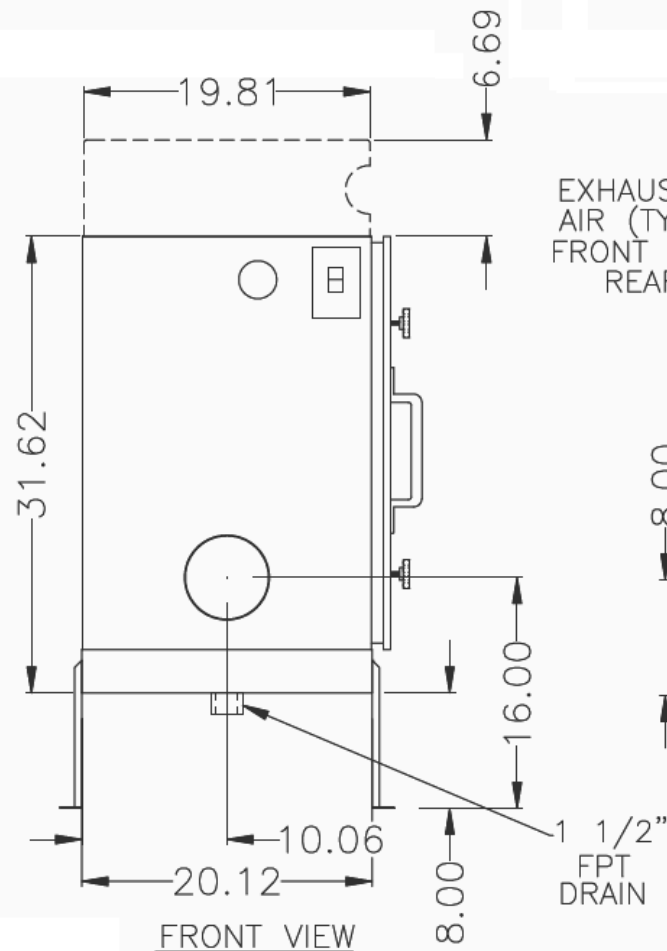


5.88" O.D. INLET COLLAR FOR INDUSTRY STD. DUCT SIZE

TOP VIEW



FRONT VIEW

**CONSTRUCTION:** 18 Gauge steel cabinet finished with 2 part chemical and oil resistant paint. Includes Ultra-Seal™ filter mounting system, a 3" sump with drain, side access filter door, built in source capture plenum with 6" inlet collar, brackets for base mount or rod hanging of unit, built in exhaust silencer, on-off switch, and 6' power cord (115v). 3 phase units wire to junction box. Circuit and motor overload protection by others.

**WEIGHT:** 108 lbs.  
**AIRFLOW:** 450 CFM  
 600 CFM, (3/4 HP Motor and Chevron opt).

**ELECTRICAL:**  1/2 HP, 115/1/60, 7.4 amps, std.  
 1/2-1/3 HP, 460/1/50/60, 1.6/1.1 amps, opt.  
 3/4 HP, 110/220/1/50, 9.8/4.9 amps, opt.  
 3/4 HP, 208-230/460/3/60, 2.7-2.6/1.3 amps, opt.

**NOISE:** 65 / 68 dBA

**FILTER SEAL:** Ultra-Seal™ with positive sealing filter locking mechanism for all main filters, HEPA filter and adsorber modules (when used). Slide in tracks shall be used for prefilters only

**SPECIFICATIONS:**

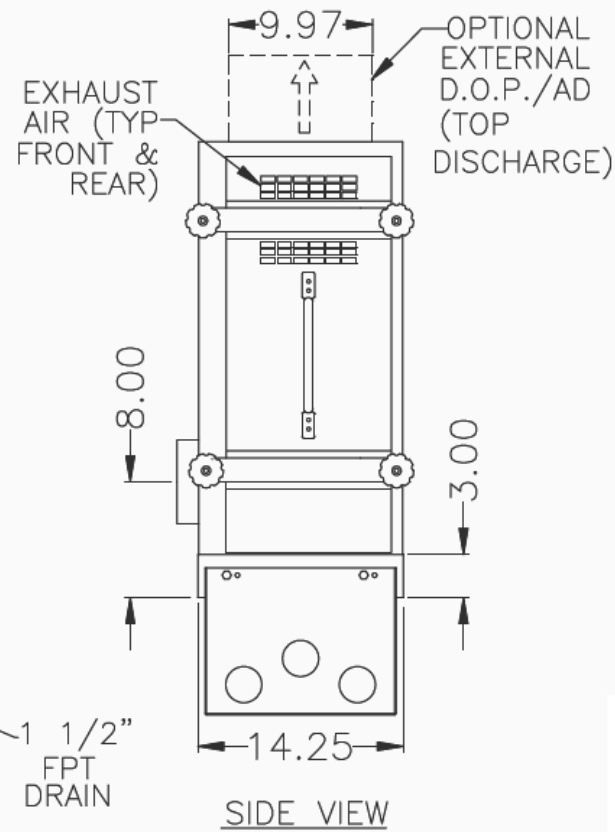
**PREFILTERS:**  (1) 2" impingement, std.  
 (1) 1" aluminum mesh, std.  
 (1) 4" Chevron® mist eliminator, opt.  
 (1) 2" mesh, opt.

**MAIN FILTERS:**  (1) 95% cartridge, std.  
 (1) 99.97% HEPA, opt.  
 (1) 95% D.O.P., opt.

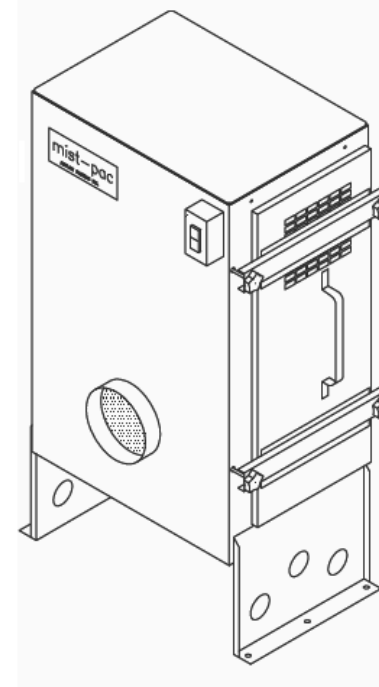
**AD OPTION:** Includes 2" pleated prefilter, 1" mesh filter, 6" deep v-bank refillable adsorber module, 12 lb. capacity.

**OTHER OPTIONS:**  Pressure gauge kit indicates filter changes.  
 Self-supported 5' or 8' long x 6" dia.  
 Positioner Arm  
 External D.O.P. or AD (top discharge)  
 Slotted inlet (Backdraft Hood)  
 Drain trap

\* FILTER EFFICIENCIES BASED ON ASHRAE 52-76 TEST METHOD



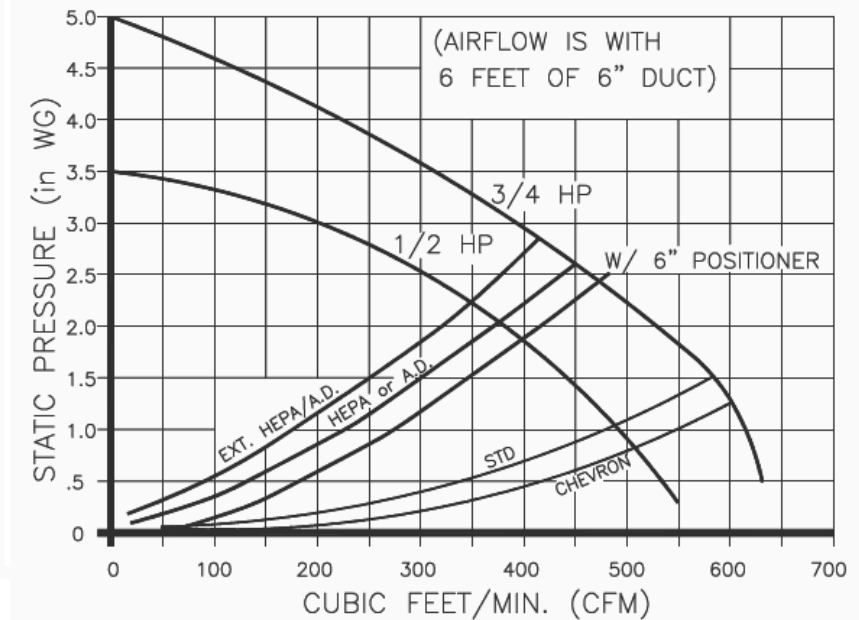
SIDE VIEW



**NOTES:**

Items designated as  are included in this proposal

**PERFORMANCE CURVES**



CUSTOMER:	
CUSTOMER P.O.:	
PROJECT:	
ENGINEER:	
SALES REP.:	
IDENTIFICATION / TAGGING:	

> [www.lev-co.com](http://www.lev-co.com) • 1.888.862.5356

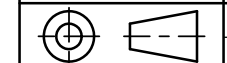


The device depicted and described hereon embodies proprietary information owned by the manufacturer. All design, manufacturing, reproduction, sales and patent rights regarding this device or drawing reserved except where explicit right is guaranteed in writing. We reserve the right to make design changes.

Drawn by:	Janos B
Date:	5/6/2010
Scale:	NTS
Weight:	N/A

(11-13) MistPac

Specification Drawing



Drawing No.:	-	File Name:	(11-13) MistPac - SD
Material:	-	Sheet:	1/1