

SPECIFICATIONS:

Three Versions.
 Porta-Flex 200 (1 kW) 160m³/h. Porta-Flex 200Auto (1 kW) 160m³/h and automatic starVstop.
 Porta-Flex 400 (1 + 1 kW) 230m³/h.
 Hose 2.5m and filter cartridge is included.
 Nozzle has to be ordered separately.

Size: 24" LONG x 9.1" WIDE x 14.6" HIGH

Weight: 33 LBS

12-01

CUSTOMER:
 CUSTOMER P.O.:
 PROJECT:
 ENGINEER:
 SALES REP.:
 IDENTIFICATION / TAGGING:

> www.lev-co.com • 1.888.862.5356

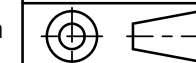
lev-co

The device depicted and described hereon embodies proprietary information owned by the manufacturer. All design, manufacturing, reproduction, sales and patent rights regarding this device or drawing reserved except where explicit right is guaranteed in writing. We reserve the right to make design changes.

Drawn by: JANOS B
 Date: 6/20/2014
 Scale: NTS
 Weight: N/A

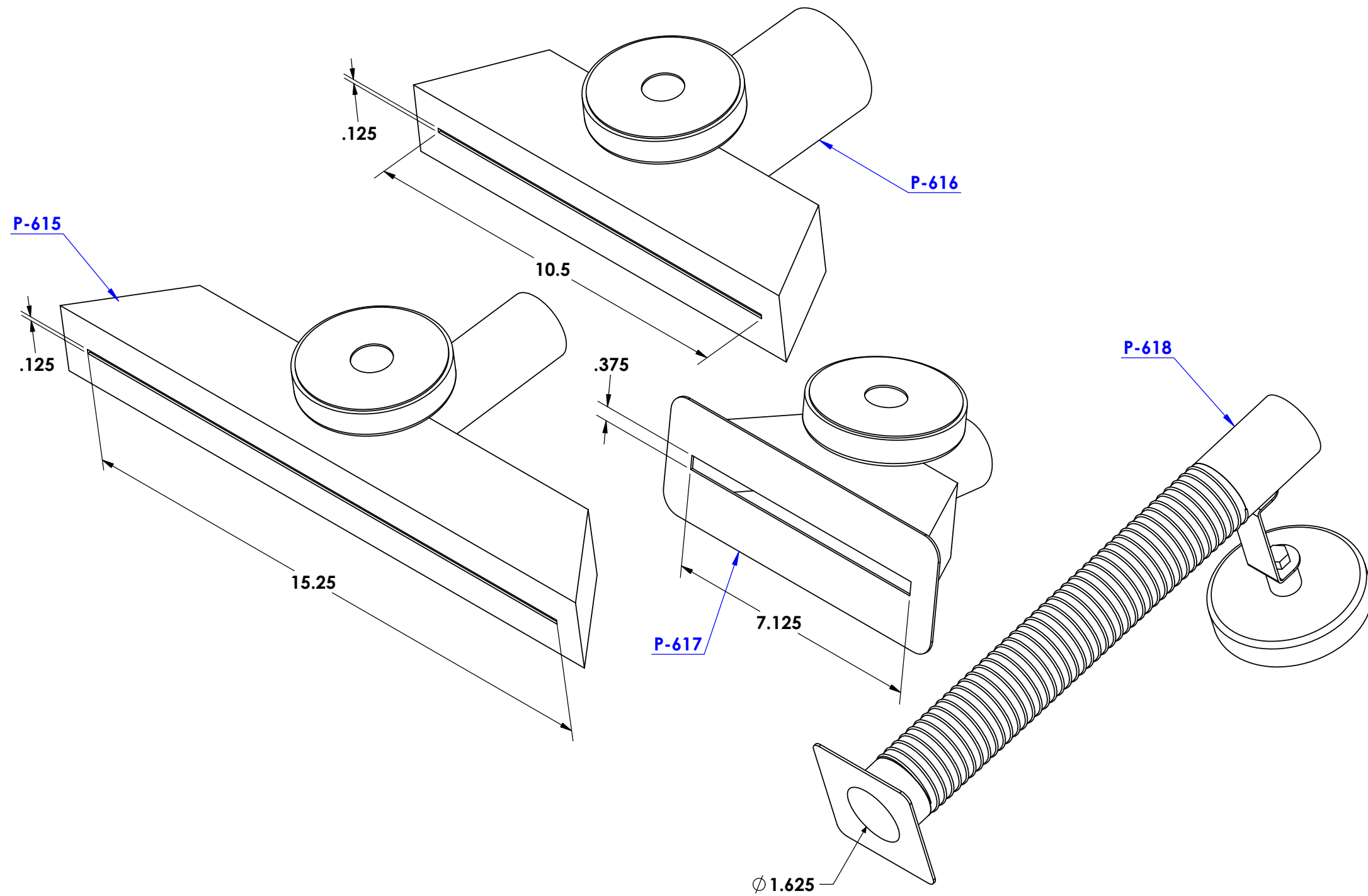
12-01 PORTA-FLEX

Specification Drawing



Drawing No.: -
 Material: -
 File Name: (12-01) Porta-Flex - SD
 Sheet: 1/3

NOZZLE OPTIONS:



12-01

CUSTOMER:
 CUSTOMER P.O.:
 PROJECT:
 ENGINEER:
 SALES REP.:
 IDENTIFICATION / TAGGING:

> www.lev-co.com • 1.888.862.5356

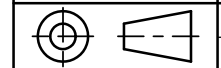
lev-co

The device depicted and described hereon embodies proprietary information owned by the manufacturer. All design, manufacturing, reproduction, sales and patent rights regarding this device or drawing reserved except where explicit right is guaranteed in writing. We reserve the right to make design changes.

Drawn by: JANOS B
 Date: 6/20/2014
 Scale: NTS
 Weight: N/A

12-01 PORTA-FLEX

Specification Drawing



Drawing No.: -
 Material: -
 File Name: (12-01) Porta-Flex - SD
 Sheet: 2/3

MODELS & OPTIONS:

Main System / Part

	Part #	Description
<input type="checkbox"/>	P-610	Porta-Flex 200 - 1 Motor
<input type="checkbox"/>	P-612	Porta-Flex 200 (2 Motors)
<input type="checkbox"/>	P-614	Porta-Flex 200 (1 motor) but with Automatic start & stop.

Hose, Hood & Nozzle Options

	Part #	Description
<input type="checkbox"/>	P-615	400 MM Porta-Flex nozzle c/w Magnetic Base
<input type="checkbox"/>	P-616	300 MM Porta-Flex nozzle c/w Magnetic Base
<input type="checkbox"/>	P-617	200 MM Porta-Flex nozzle c/w Magnetic Base
<input type="checkbox"/>	P-618	80 MM Porta-Flex nozzle c/w Magnetic Base

Accessories

	Part #	Description
<input type="checkbox"/>	AIP-65015	8" Round Nozzle
<input type="checkbox"/>	AIP-65018	Caster Kit
<input type="checkbox"/>	AIP-65019	Slot Nozzle
<input type="checkbox"/>	AIP-65036	20" Long Slot Nozzle
<input type="checkbox"/>	AIP-65041	Reducer for Smoke Extraction Gun 1 1/2" O.D.

Filter Options

	Part #	Description
<input type="checkbox"/>	EF-400	Replacement filter for porta-flex unit.

Replacement filters - (Quantity discounts available upon request)

	Part #	Description
<input type="checkbox"/>	AIP-65009	*** For Old style Clean-Air 200 *** 65% Main Filter, 12 x 12 x 12, 53ft ² surface area, 5 micron. Can be use in 73-100G, 73-200G,
<input type="checkbox"/>	AIP-65010	*** For Old style Clean-Air 200 *** 99.97% HEPA Main Filter 0.3 micron. Can be used with 73-100
<input type="checkbox"/>	AIP-65011	*** For Old style Clean-Air 200 *** Pleated prefilter for AIP-73-100G and AIP-73-200. Sold in boxes of 6, 1 box min order
<input type="checkbox"/>	AIP-65250	*** For Old style "Clean-Air 200" *** 95% Washable Main Filter 0.3 micron.
<input type="checkbox"/>	P-619	Replacement main filter for the Porta-Flex
<input type="checkbox"/>	P-620	Replacement HEPA filter for the Porta-Flex

12-01

CUSTOMER:
 CUSTOMER P.O.:
 PROJECT:
 ENGINEER:
 SALES REP.:
 IDENTIFICATION / TAGGING:

> www.lev-co.com • 1.888.862.5356

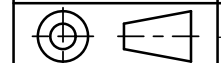
lev-co

The device depicted and described hereon embodies proprietary information owned by the manufacturer. All design, manufacturing, reproduction, sales and patent rights regarding this device or drawing reserved except where explicit right is guaranteed in writing. We reserve the right to make design changes.

Drawn by: JANOS B
 Date: 6/20/2014
 Scale: NTS
 Weight: N/A

12-01 PORTA-FLEX

Specification Drawing



Drawing No.: -
 Material: -
 File Name: (12-01) Porta-Flex - SD
 Sheet: 3/3