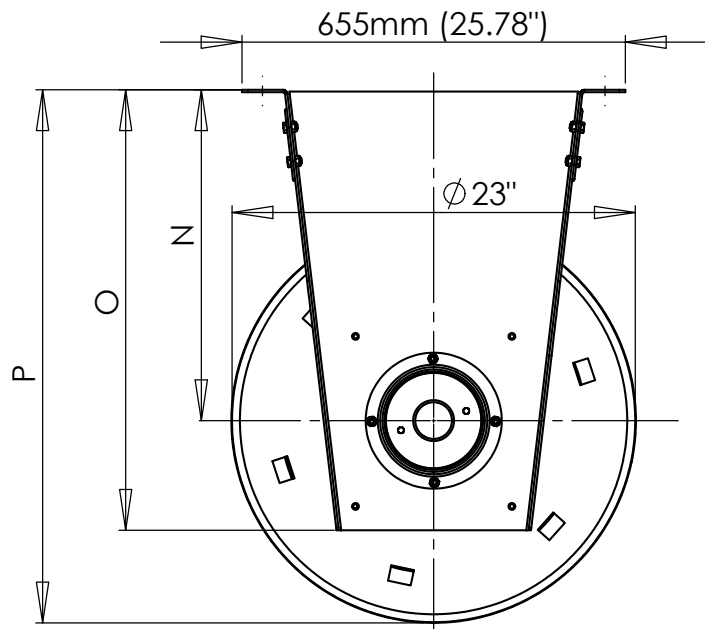


	L	M	N	O	P
HRE-4	680mm(26.77")	775mm(30.51")	483mm(19")	635mm(25")	645mm(25.4")
HRE-5	980mm(38.58")	1075mm(42.32")	483mm(19")	635mm(25")	645mm(25.4")
HRE-6	980mm(38.58")	1075mm(42.32")	483mm(19")	635mm(25")	645mm(25.4")
HRE-8	1260mm(49.60")	1355mm(53.34")	493mm(19.4")	698.5mm(27.5")	780mm(30.7")
HRE-10	1260mm(49.60")	1355mm(53.34")	493mm(19.4")	698.5mm(27.5")	780mm(30.7")
HRE-12	1260mm(49.60")	1355mm(53.34")	493mm(19.4")	698.5mm(27.5")	780mm(30.7")

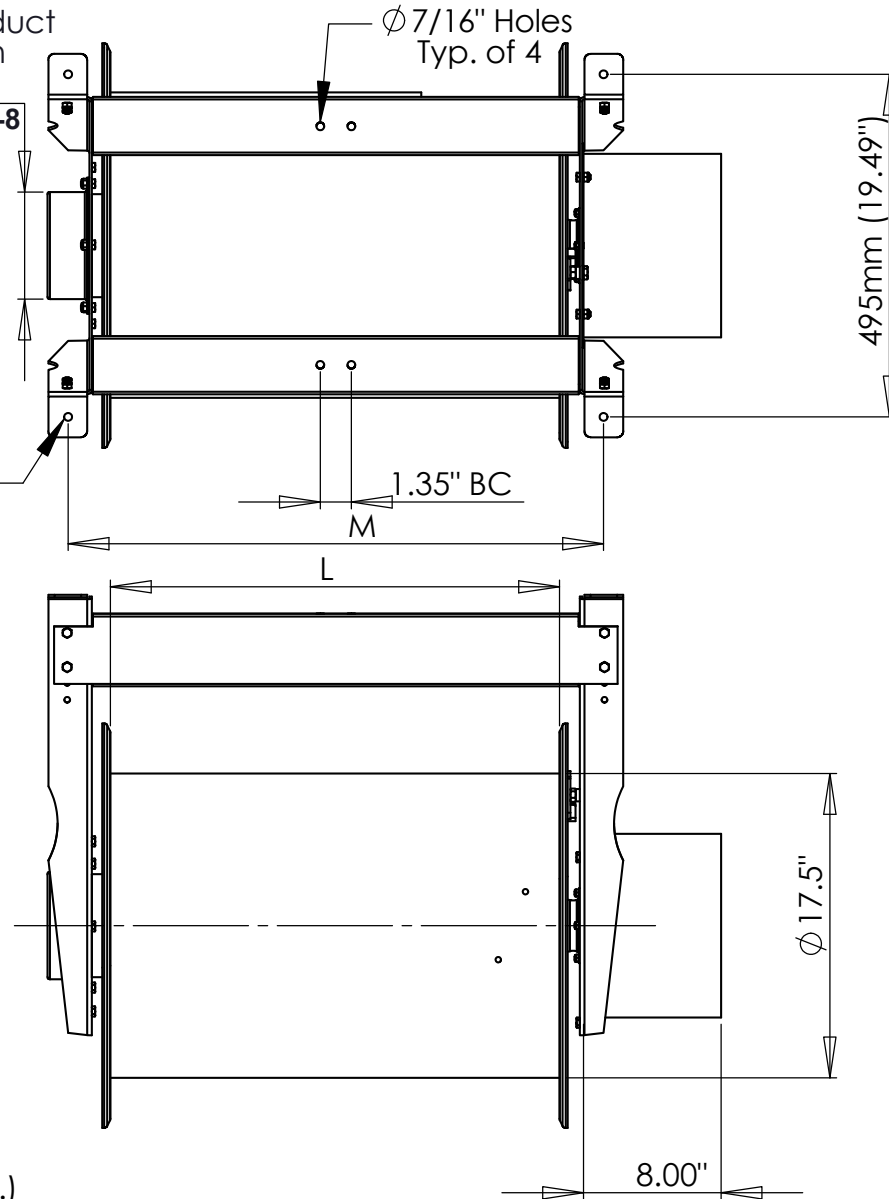
Note: Inlet is 8"Ø on HRE-8

Typ. of 4  
Ø 7/16" Holes

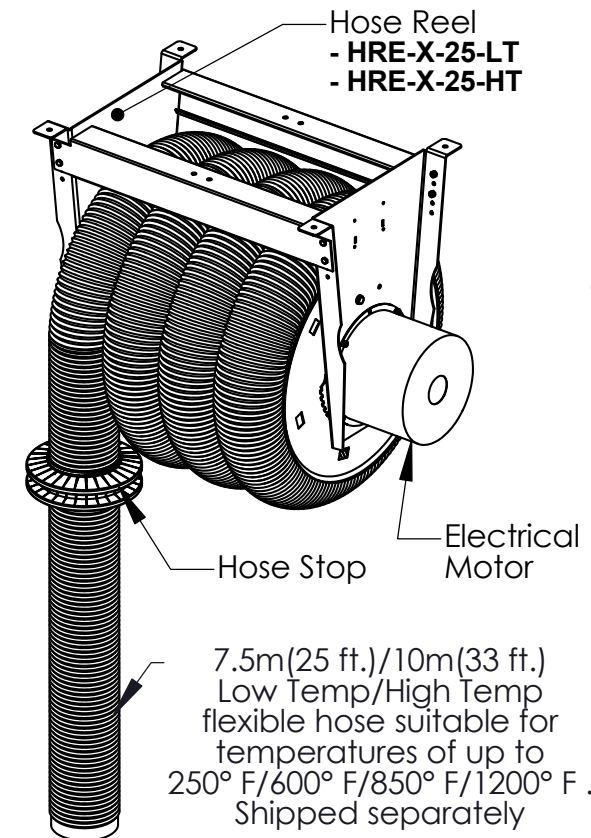


- Length of hose on drum:
- HRE-4-25-LT: 7.5m (25 ft.)
  - HRE-4-33-LT: 10 m (33 ft.)
  - HRE-5-25-LT: 7.5m (25 ft.)
  - HRE-5-33-LT: 10m (33 ft.)
  - HRE-6-25-LT: 7.5m (25 ft.)
  - HRE-6-33-LT: 10m (33 ft.)
  - HRE-8-25-LT: 7.5m (25 ft.)
  - HRE-8-33-LT: 10m (33 ft.)
  - HRE-8-41-LT: 12.5m (41 ft.)
  - HRE-10-25-LT: 7.5m (25 ft.)
  - HRE-10-33-LT: 10m (33 ft.)
  - HRE-12-25-LT: 7.5m (25 ft.)
  - HRE-12-30-LT: 9m (30 ft.)

- Length of hose on drum:
- HRE-4-25-HT: 7.5m (25 ft.)
  - HRE-4-33-HT: 10 m (33 ft.)
  - HRE-5-25-HT: 7.5m (25 ft.)
  - HRE-5-33-HT: 10m (33 ft.)
  - HRE-6-25-HT: 7.5m (25 ft.)
  - HRE-6-33-HT: 10m (33 ft.)
  - HRE-6-41-HT: 12.5m (41 ft.)
  - HRE-8-25-HT: 7.5m (25 ft.)
  - HRE-8-33-HT: 10m (33 ft.)
  - HRE-8-41-HT: 12.5m (41 ft.)
  - HRE-10-25-HT: 7.5m (25 ft.)
  - HRE-10-33-HT: 10.5m (33 ft.)
  - HRE-12-25-HT: 7.5m (25 ft.)
  - HRE-12-30-HT: 9m (30 ft.)



Airflow :  
For exhaust extraction systems in vehicle repair shops where engines are running without load and with low rpm's, the following air flows can be used as guidelines:  
**CARS = 250 CFM, TRUCKS = 600 CFM**  
**HEAVY EQUIPMENT = 1000 CFM**

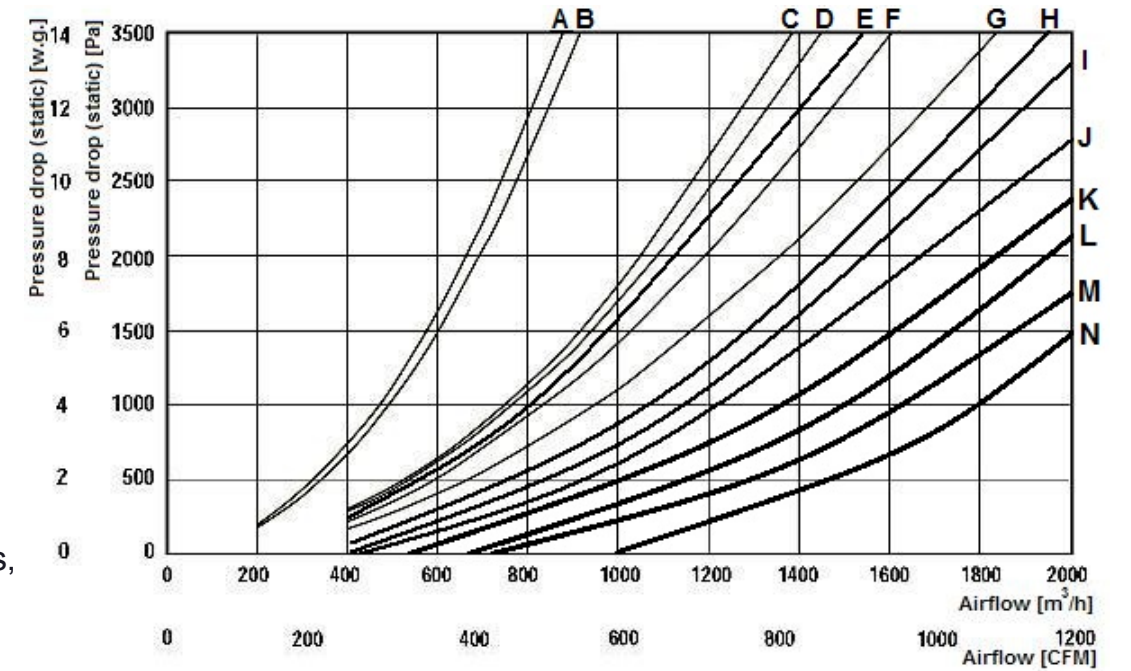


Air flow :  
HRE-4-xx-LT/HT: 250 CFM  
HRE-5-xx-LT/HT: 400 CFM  
HRE-6-xx-LT/HT: 600 CFM  
HRE-8-xx-LT/HT: 1000 CFM  
HRE-10-xx-LT/HT: 1600 CFM  
HRE-12-xx-LT/HT: 2400 CFM

Pressure drop over reel: 4" /5" w.g.  
Pressure drop diagram (pressure drop over reel when most of the hose is uncoiled):

HRE - XX - LT/HT:

- A - Ø100mm(4"), L=10m(33')
- B - Ø100mm(4"), L=7.5m(25')
- C - Ø125mm(5"), L=10m(33')
- D - Ø125mm(5"), L=7.5m(25')
- E - Ø150mm(6"), L=12.5m(41')
- F - Ø150mm(6"), L=10m(33')
- G - Ø150mm(6"), L=7.5m(25')
- H - Ø200mm(8"), L=12.5m(41')
- I - Ø200mm(8"), L=10m(33')
- J - Ø200mm(8"), L=7.5m(25')
- K - Ø250mm(10"), L=10m(33')
- L - Ø250mm(10"), L=7.5m(25')
- M - Ø300mm(12"), L=9m(30')
- N - Ø300mm(12"), L=7.5m(25')



14-05

CUSTOMER:  
CUSTOMER P.O.:  
PROJECT:  
ENGINEER:  
SALES REP.:  
IDENTIFICATION / TAGGING:

> [www.lev-co.com](http://www.lev-co.com) • 1.888.862.5356

lev-co

The device depicted and described hereon embodies proprietary information owned by the manufacturer. All design, manufacturing, reproduction, sales and patent rights regarding this device or drawing reserved except where explicit right is guaranteed in writing. We reserve the right to make design changes.

Drawn by: Dan  
Date: 2/5/2013  
Scale: NTS  
Weight: N/A

14-05 Low Temp & High Temp  
Electrical Hose Reels  
Specification Drawing

Drawing No.: -  
Material: -  
File Name: (14-05) Electrical Hose Reel - SD-0  
Sheet: 1/4

# ELECTRICAL MOTOR SPECIFICATION AND PERFORMANCE

## MOTOR TYPE

- Asynchronous, single phase motor – Totally enclosed
- Built-in start and run capacitors
- Safety Brake
- Silent motor
- Anti-corrosion coating for indoor, outdoor and wash-down applications
- Power-Outage crank allowing the recoil of hose during power failures
- Automatic safety cut-off when manual override (crank) is engaged
- 5 years warranty
- Limit switches protect when the hoses reach the end of their limits

## MOTOR SPECIFICATIONS

TORQUE IN.LBS.	MN	SPEED	ELECTRICAL RATING	LIMIT SWITCH CAPACITY
530	60	14 RPM	<input type="checkbox"/> 120V / 1PH / 60HZ Amperage – 2.7 Amps @ 120V Power - 320 Watts @ 60Hz	38 Turns
530	60	12 RPM	<input type="checkbox"/> 230V / 1PH / 60HZ Amperage – 1.8 Amps @ 230V Power - 390 Watts @ 60Hz	38 Turns

**Chart For Maximum Hose Lengths (ft)**

	Electric Hose Reel 650 mm (26") Drum Width	Electric Hose Reel 1000 mm (37") Drum Width	Electric Hose Reel 1250 mm (50") Drum Width
	Approved maximum length of hose on this hose reel	Approved maximum length of hose on this hose reel	Approved maximum length of hose on this hose reel
<b>Part Number Pre-fix</b>			
HRE-4-NH-(maximum hose length)	35.0	55.0	75
HRE-5-NH-(maximum hose length)	30.0	45.0	62
HRE-6-NH-(maximum hose length)	25.0	38.0	50
HRE-8-NH-(maximum hose length)	17.5	27.0	41
HRE-10-NH-(maximum hose length)	15.0	24.0	33
HRE-12-NH-(maximum hose length)	12.0	20.0	30

**Weight of Hose Reel Package per lbs**

Model	Weight (HT or LT)
HRE-4-25-XX	181
HRE-4-33-XX	186
HRE-5-25-XX	185
HRE-5-33-XX	213
HRE-6-25-XX	189
HRE-6-33-XX	218
HRE-8-25-XX	218
HRE-8-33-XX	239
HRE-8-41-XX	249
HRE-10-25-XX	250
HRE-10-33-XX	265
HRE-12-25-XX	283
HRE-12-30-XX	290

LT = Low Temperature hose (250 °F)  
 HT = High Temperature hose (600 °F, 850 °F, 1200 °F)

14-05

CUSTOMER:  
 CUSTOMER P.O.:  
 PROJECT:  
 ENGINEER:  
 SALES REP.:  
 IDENTIFICATION / TAGGING:

> [www.lev-co.com](http://www.lev-co.com) • 1.888.862.5356



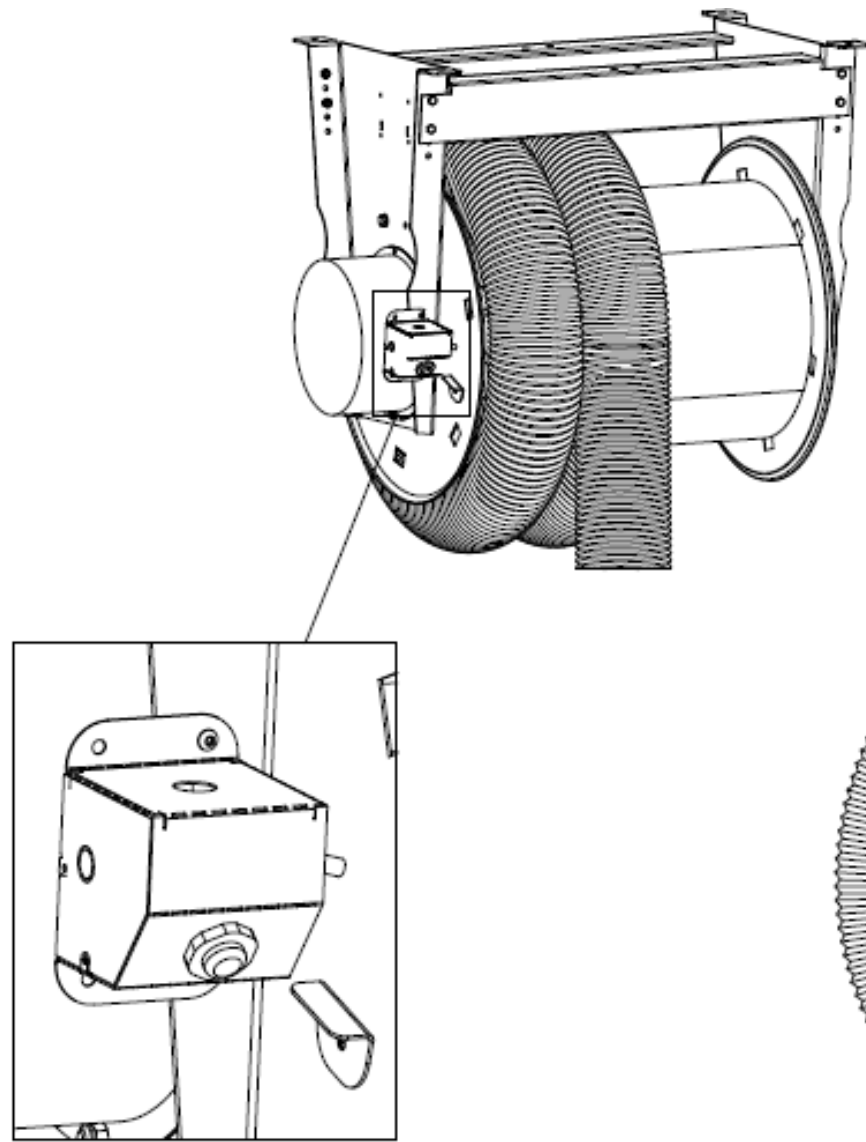
The device depicted and described hereon embodies proprietary information owned by the manufacturer. All design, manufacturing, reproduction, sales and patent rights regarding this device or drawing reserved except where explicit right is guaranteed in writing. We reserve the right to make design changes.

Drawn by: Dan  
 Date: 2/5/2013  
 Scale: NTS  
 Weight: N/A

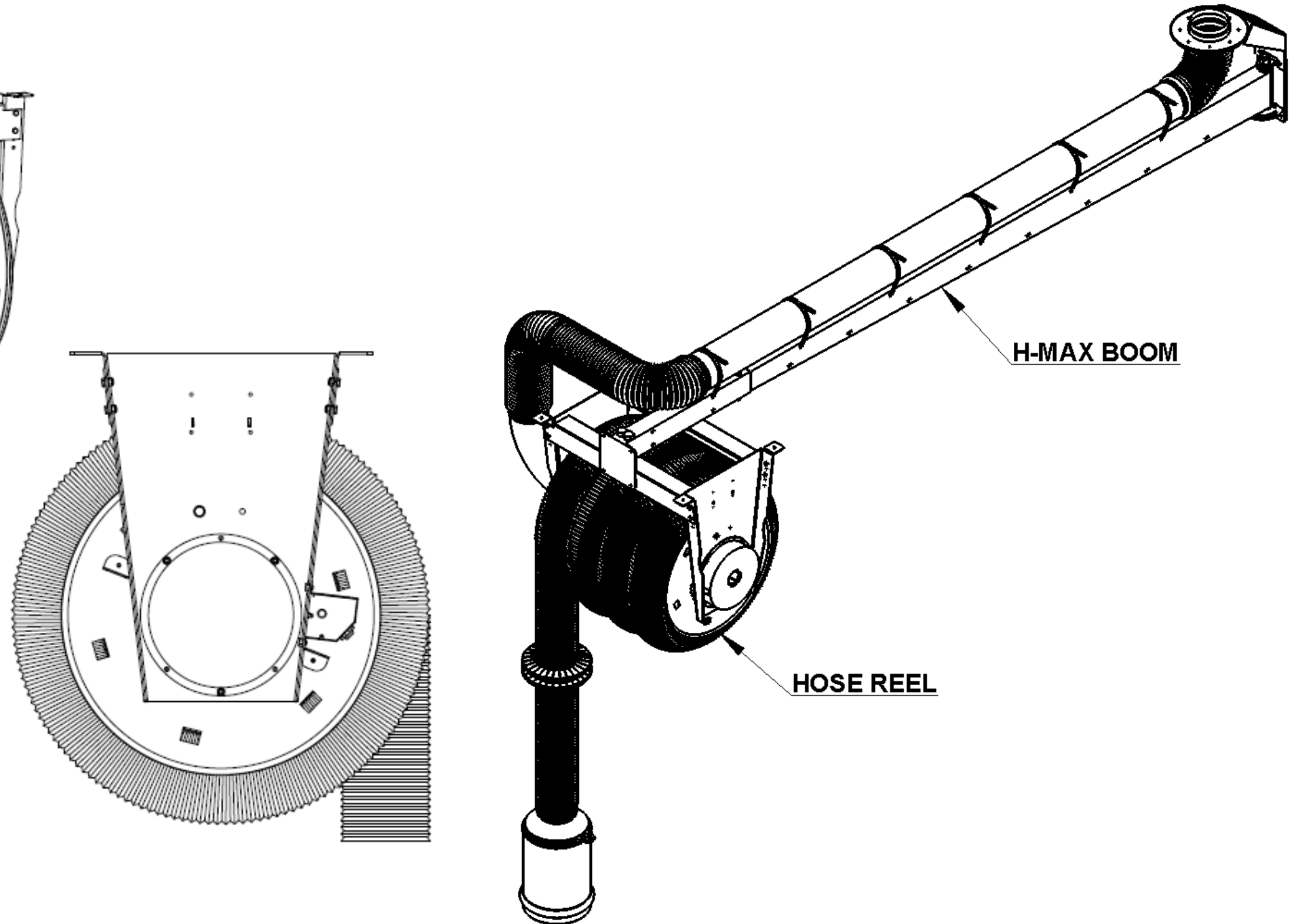
**14-05 Low Temp & High Temp  
 Electrical Hose Reels  
 Specification Drawing**

Drawing No.: -  
 Material: -  
 File Name: (14-05) Electrical Hose Reel - SD-0  
 Sheet: 2/4

SWITCH AND LIGHT KIT OPTION



BOOM OPTION



14-05

CUSTOMER:	
CUSTOMER P.O.:	
PROJECT:	
ENGINEER:	
SALES REP.:	
IDENTIFICATION / TAGGING:	

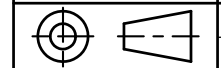
> [www.lev-co.com](http://www.lev-co.com) • 1.888.862.5356



The device depicted and described hereon embodies proprietary information owned by the manufacturer. All design, manufacturing, reproduction, sales and patent rights regarding this device or drawing reserved except where explicit right is guaranteed in writing. We reserve the right to make design changes.

Drawn by:	Dan
Date:	2/5/2013
Scale:	NTS
Weight:	N/A

**14-05 Low Temp & High Temp Electrical Hose Reels**  
**Specification Drawing**



Drawing No.:	-	File Name:	(14-05) Electrical Hose Reel - SD-0
Material:	-	Sheet:	3/4

**MODELS & OPTIONS:**

Part #	Description
<b>Low Temp Hose Reel</b>	
<input type="checkbox"/> <a href="#">HRE-4-25-LT</a>	4" Motorized Hose Reel - c/w 7.5m (25') of 250° F hose.
<input type="checkbox"/> <a href="#">HRE-4-33-LT</a>	4" Motorized Hose Reel - c/w 10m (33') of 250° F hose.
<input type="checkbox"/> <a href="#">HRE-5-25-LT</a>	5" Motorized Hose Reel - c/w 7.5m (25') of 250° F hose.
<input type="checkbox"/> <a href="#">HRE-5-33-LT</a>	5" Motorized Hose Reel - c/w 10m (33') of 250° F hose.
<input type="checkbox"/> <a href="#">HRE-6-25-LT</a>	6" Motorized Hose Reel - c/w 7.5m (25') of 250° F hose.
<input type="checkbox"/> <a href="#">HRE-6-33-LT</a>	6" Motorized Hose Reel - c/w 10m (33') of 250° F hose.
<input type="checkbox"/> <a href="#">HRE-8-33-LT</a>	8" Motorized Hose Reel - c/w 10m (33') of 250° F hose.
<input type="checkbox"/> <a href="#">HRE-8-25-LT</a>	8" Motorized Hose Reel - c/w 7.5m (25') of 250° F hose.
<input type="checkbox"/> <a href="#">HRE-10-25-LT</a>	10" Motorized Hose Reel - c/w 7.5m (25') of 250° F hose.
<input type="checkbox"/> <a href="#">HRE-10-33-LT</a>	10" Motorized Hose Reel - c/w 10m (33') of 250° F hose.
<input type="checkbox"/> <a href="#">HRE-12-25-LT</a>	12" Motorized Hose Reel - c/w 7.5m (25') of 250° F hose.
<input type="checkbox"/> <a href="#">HRE-12-30-LT</a>	12" Motorized Hose Reel - c/w 9m (30') of 250° F hose.

<b>High Temp Hose Reel</b>	
<input type="checkbox"/> <a href="#">HRE-4-25-HT</a>	4" Motorized Hose Reel - c/w 7.5m (25') of 600° F or 850° F hose.
<input type="checkbox"/> <a href="#">HRE-4-33-HT</a>	4" Motorized Hose Reel - c/w 10m (33') of 600° F or 850° F hose.
<input type="checkbox"/> <a href="#">HRE-5-25-HT</a>	5" Motorized Hose Reel - c/w 7.5m (25') of 600° F or 850° F hose.
<input type="checkbox"/> <a href="#">HRE-5-33-HT</a>	5" Motorized Hose Reel - c/w 10m (33') of 600° F or 850° F hose.
<input type="checkbox"/> <a href="#">HRE-6-25-HT</a>	6" Motorized Hose Reel - c/w 7.5m (25') of 600° F or 850° F hose.
<input type="checkbox"/> <a href="#">HRE-6-33-HT</a>	6" Motorized Hose Reel - c/w 10m (33') of 600° F or 850° F hose.
<input type="checkbox"/> <a href="#">HRE-6-41-HT</a>	6" Motorized Hose Reel - c/w 12.5m (41') of 600° F or 850° F hose.
<input type="checkbox"/> <a href="#">HRE-8-25-HT</a>	8" Motorized Hose Reel - c/w 7.5m (25') of 600° F or 850° F hose.
<input type="checkbox"/> <a href="#">HRE-8-41-HT</a>	8" Motorized Hose Reel - c/w 12.5m (41') of 600° F or 850° F hose.
<input type="checkbox"/> <a href="#">HRE-10-25-HT</a>	10" Motorized Hose Reel - c/w 7.5m (25') of 850° F or 1200° F hose.
<input type="checkbox"/> <a href="#">HRE-10-33-HT</a>	10" Motorized Hose Reel - c/w 10m (33') of 850° F or 1200° F hose.
<input type="checkbox"/> <a href="#">HRE-12-25-HT</a>	12" Motorized Hose Reel - c/w 7.5m (25') of 850° F or 1200° F hose.
<input type="checkbox"/> <a href="#">HRE-12-30-HT</a>	12" Motorized Hose Reel - c/w 9m (30') of 850° F or 1200° F hose.

<b>Hose Reels without hose</b>	
<input type="checkbox"/> <a href="#">HRE-6-NH</a>	6" Motorized hose reel with no hose.

<b>Direct Mount Fans - 0.5 HP - (Motor Starter not included)</b>	
<input type="checkbox"/> <a href="#">P-149-1</a>	P-Max® direct drive fan 1 HP 115V/1/60

<b>Direct Mount Fans - 0.75 HP - (Motor Starter not included)</b>	
<input type="checkbox"/> <a href="#">P-152-1</a>	P-Max® direct drive fan 1.5 HP 115V/230V/1/60

<b>Misc. Options (when ordering main unit)</b>	
<input type="checkbox"/> <a href="#">HRE-RCWS</a>	Remote transmitter with Convenient push button control for motorized hose reel, blue in colour. Use in conjunction with part <a href="#">HRE-RM-RCVR</a>
<input type="checkbox"/> <a href="#">HRE-RM-RCVR</a>	Universal RTS receiver for motorized hose reel.
<input type="checkbox"/> <a href="#">HRE-WLWS</a>	Wireless wall switch for motorized hose reel, black in colour with built in Radio Technology.
<input type="checkbox"/> <a href="#">HRE-WPC</a>	Low voltage pendant controller suspended from drop cord.
<input type="checkbox"/> <a href="#">HRE-WWS</a>	Wired Momentary rocker switch kit with standard plate white in colour. Kit contains switch and switchplate. Field installation required - Not included in price

<b>Horizontal boom extensions (Optional)</b>	
<input type="checkbox"/> <a href="#">H-MAX-HR-1</a>	2m (6.5') H-MAX Boom Kit for Hose Reel. Please specify duct when ordering
<input type="checkbox"/> <a href="#">H-MAX-HR-2</a>	3m (10') H-MAX Boom Kit for Hose Reel
<input type="checkbox"/> <a href="#">H-MAX-HR-3</a>	4m (13') H-MAX Boom Kit for Hose Reel

<b>Under Carriage Rubber Tailpipe Adapters c/w Vice Grip (Suitable for Round or Oval Tailpipes)</b>	
<input type="checkbox"/> <a href="#">SRF-4</a>	4" Rubber nozzle with vice grip - 6" opening
<input type="checkbox"/> <a href="#">SRF-4/D</a>	4" Rubber nozzle with vice grip and automatic damper - 6" opening
<input type="checkbox"/> <a href="#">SRF-5</a>	5" Rubber nozzle with vice grip - 8" opening
<input type="checkbox"/> <a href="#">SRF-5/D</a>	5" Rubber nozzle with vice grip and automatic damper - 8" opening
<input type="checkbox"/> <a href="#">SRF-6</a>	6" Rubber nozzle with vice grip - 8" opening
<input type="checkbox"/> <a href="#">SRF-6/D</a>	6" Rubber nozzle with vice grip and automatic damper - 8" opening

<b>Over-head Stack adapter - High Temperature Rubber</b>	
<input type="checkbox"/> <a href="#">RCA-5</a>	5" Diesel Stack Adapter - 10" opening for exhaust pipe
<input type="checkbox"/> <a href="#">RCA-6</a>	6" Diesel Stack Adapter - 10" opening for exhaust pipe
<input type="checkbox"/> <a href="#">RCA-8</a>	8" Diesel Stack Adapter - 10" opening for exhaust pipe

<b>Hose, Hood &amp; Nozzle Options</b>	
<input type="checkbox"/> <a href="#">TP-6-12</a>	6' - 12' Telescoping Pole

<b>Automatic Motor Starter</b>	
<input type="checkbox"/> <a href="#">P-025-24S-120V-1PH-2.0 HP</a>	Energy Saver E- Man© 115V/1/60. Fan Motor control station. Rated up to 2 HP. Permits automatic start-stop of the fan from the extractor arm hood, hose reel or other device with Remote Switch. Remote mounted switches must be ordered separately(EG: LS-12 -
<input type="checkbox"/> <a href="#">P-025-24S-208/230V-3PH-7.5 HP</a>	Energy Saver E- Man© 208-230V/3/60. Fan Motor control station. Rated up to 7.5 HP. Permits automatic start-stop of the fan from the extractor arm hood, hose reel or other device with Remote Switch. Remote mounted switches must be ordered separately (EG: L
<input type="checkbox"/> <a href="#">P-025-24S-240V-1PH-3HP</a>	Energy Saver E- Man© 240V/1/60. Fan Motor control station. Rated up to 3 HP. Permits automatic start-stop of the fan from the extractor arm hood, hose reel or other device with Remote Switch. Remote mounted switches must be ordered separately (EG: LS-12 -
<input type="checkbox"/> <a href="#">P-025-24S-460V-3PH-20HP</a>	Energy Saver E- Man© 460V/3/60. Fan Motor control station. Rated up to 20 HP. Permits automatic start-stop of the fan from the extractor arm hood, hose reel or other device with Remote Switch. Remote mounted switches must be ordered separately (EG: LS-12
<input type="checkbox"/> <a href="#">P-025-24S-575V-3PH-20HP</a>	Energy Saver E- Man© 575V/3/60. Fan Motor control station. Rated up to 20 HP. Permits automatic start-stop of the fan from the extractor arm hood, hose reel or other device with Remote Switch. Remote mounted switches must be ordered separately (EG: LS-12

<b>Hose Clamps - Bridge Type (Necessary to go over the helix of the hose)</b>	
<input type="checkbox"/> <a href="#">MD-530-100-100</a>	4" Ø Bridge Clamp. Clamping range of 100mm-120mm
<input type="checkbox"/> <a href="#">MD-530-125-100</a>	5" Ø Bridge Clamp. Clamping range of 120mm-140mm
<input type="checkbox"/> <a href="#">MD-530-150-100</a>	6" Ø Bridge Clamp. Clamping range of 150mm-170mm
<input type="checkbox"/> <a href="#">MD-530-200-100</a>	8" Ø Bridge Clamp. Clamping range of 200mm-220mm

<b>Installation Accessories</b>	
<input type="checkbox"/> <a href="#">IN-NLS-8</a>	8" No-Loss Stack, 20 Gauge Galvanized, 4' overall height*. Complete with Internal Backdraft Damper. * alternate heights available upon request.
<input type="checkbox"/> <a href="#">PDK-RF-8</a>	Industrial grade duct kit for direct exhausting of P-Max fans - for Ceiling/Roof exhaust. Complete with Gravity Back Draft damper.

<b>Fan Control Panels (when ordering main unit)</b>	
<input type="checkbox"/> <a href="#">P-024-1</a>	115V/1/60 Fan Motor control station. Permits manual start-stop of the fan. Comes complete with motor overload protection on/off 14A control power cord and plug. Overload rating according to the FLA of the motor. Field assembly & installation required.

<b>Fan Mounting Brackets</b>	
<input type="checkbox"/> <a href="#">P-033-HR</a>	P-MAX fan mounting bracket for spring recoil hose reels.
<b>Sensors (when ordering main unit)</b>	
<input type="checkbox"/> <a href="#">MS-12-24V</a>	Micro-switch for the automatic "Start/Stop" of the fan and/or automatic damper. C/W Switch and 24V blue 25MM "RUNNING" light.

CUSTOMER:	
CUSTOMER P.O.:	
PROJECT:	
ENGINEER:	
SALES REP.:	
IDENTIFICATION / TAGGING:	


[www.lev-co.com](http://www.lev-co.com) • 1.888.862.5356

The device depicted and described hereon embodies proprietary information owned by the manufacturer. All design, manufacturing, reproduction, sales and patent rights regarding this device or drawing reserved except where explicit right is guaranteed in writing. We reserve the right to make design changes.

Drawn by:	Dan
Date:	2/5/2013
Scale:	NTS
Weight:	N/A

<b>14-05 Low Temp &amp; High Temp Electrical Hose Reels</b>	
<b>Specification Drawing</b>	
Drawing No.:	-
File Name:	(14-05) Electrical Hose Reel - SD-0
Material:	-
Sheet:	4/4