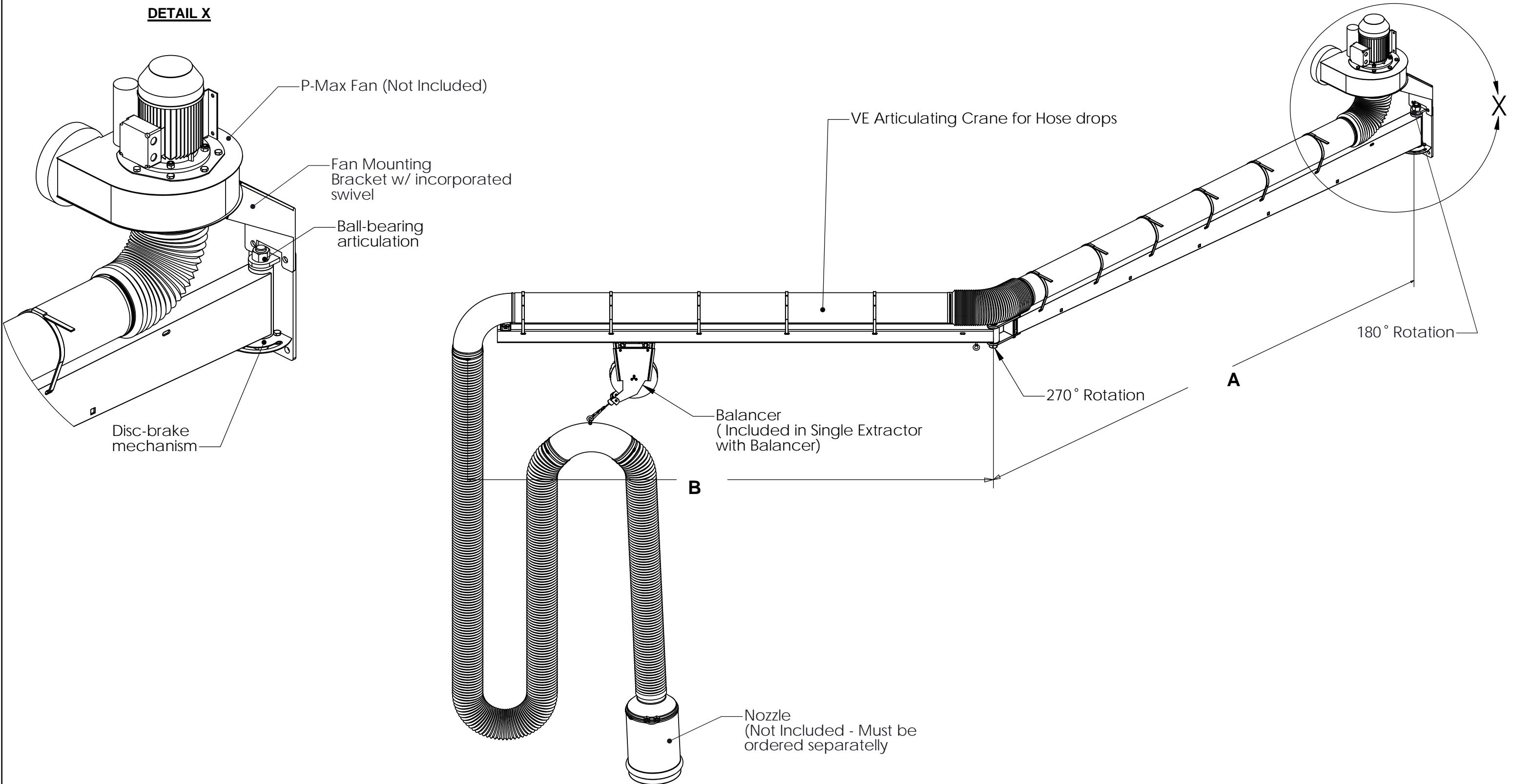


DETAIL X



14-07

CUSTOMER:	
CUSTOMER P.O.:	
PROJECT:	
ENGINEER:	
SALES REP.:	
IDENTIFICATION / TAGGING:	

www.lev-co.com • 1.888.862.5356

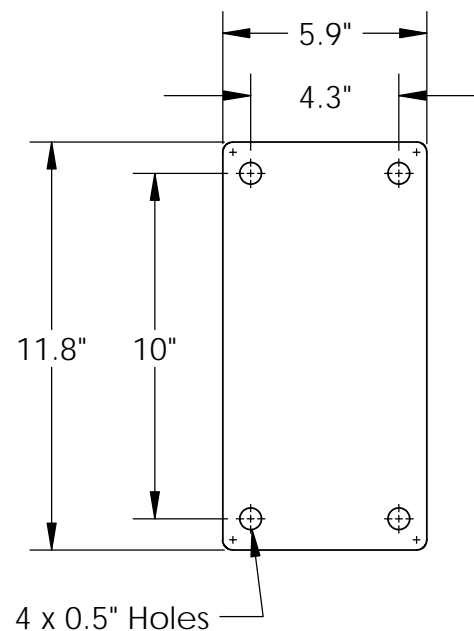


The device depicted and described hereon embodies proprietary information owned by the manufacturer. All design, manufacturing, reproduction, sales and patent rights regarding this device or drawing reserved except where explicit right is guaranteed in writing. We reserve the right to make design changes.

Drawn by:	DAN N
Date:	9/23/2011
Scale:	NTS
Weight:	N/A

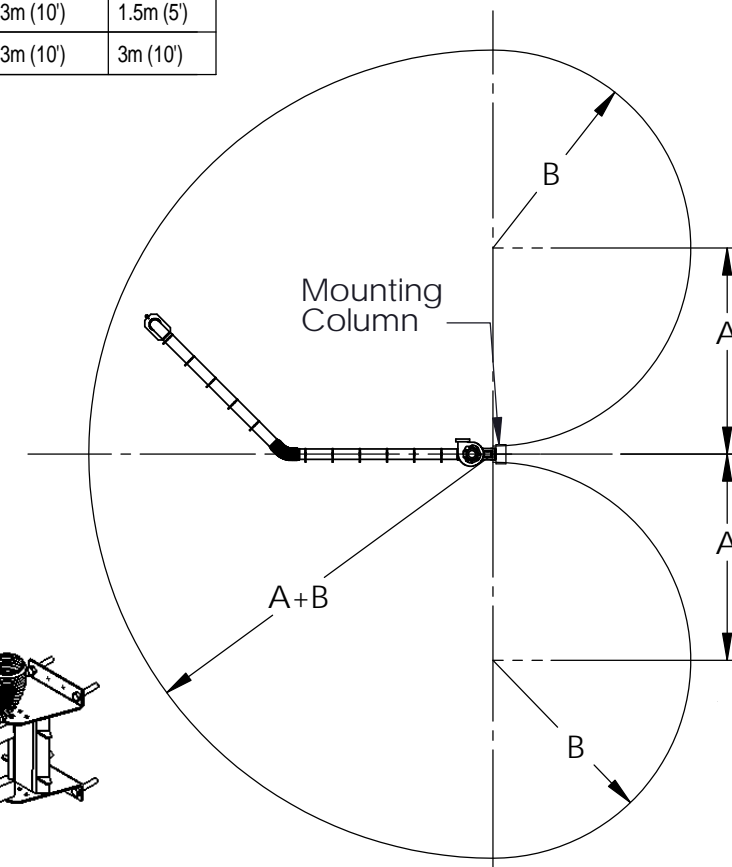
14-07 VE Articulating Crane for Hose Drops	
Specification Drawing	
Drawing No.:	-
Material:	-
File Name:	(14-07) VE Articulating Crane - SD
Sheet:	1/4

WALL MOUNTING FLANGE

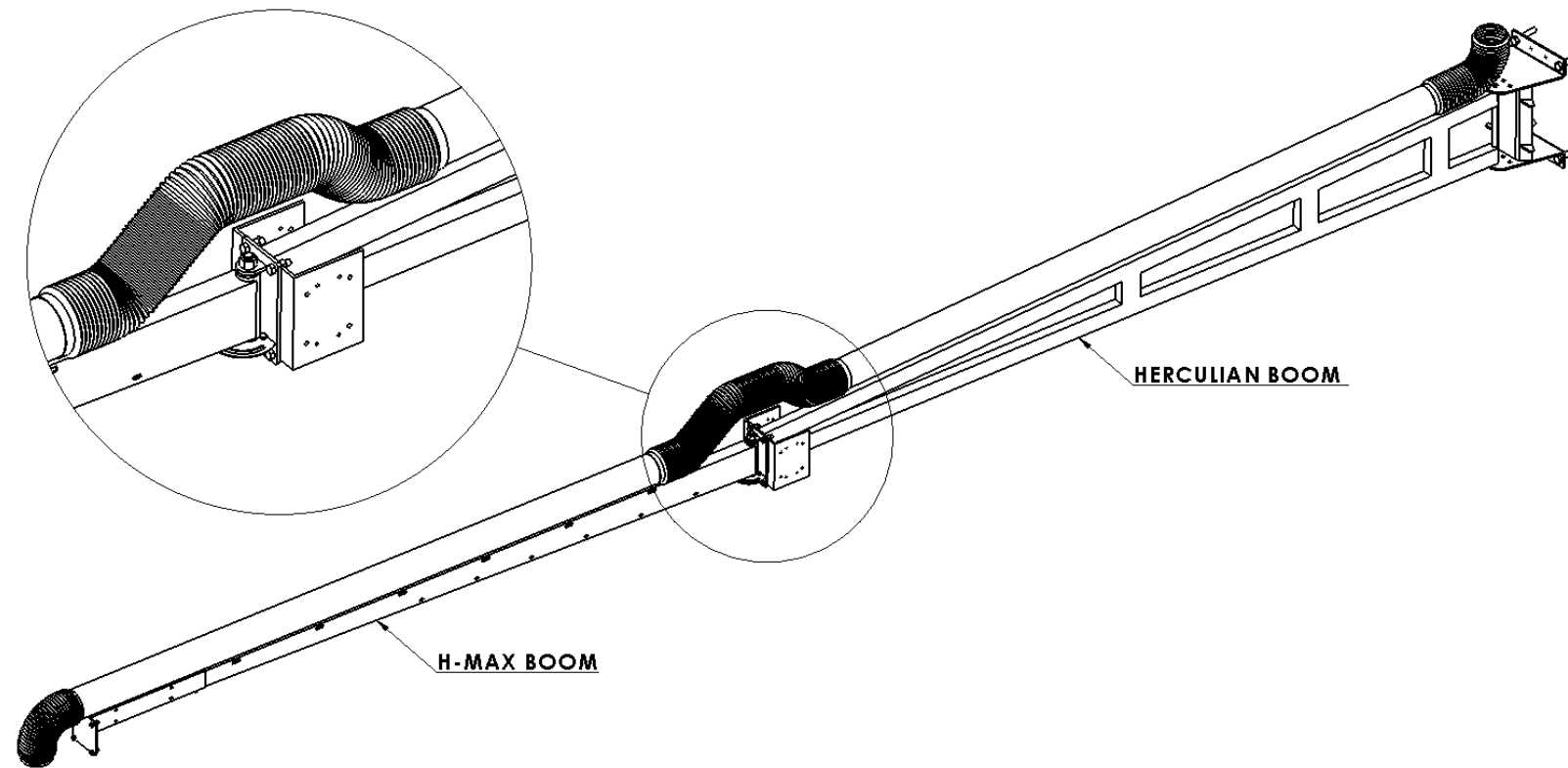
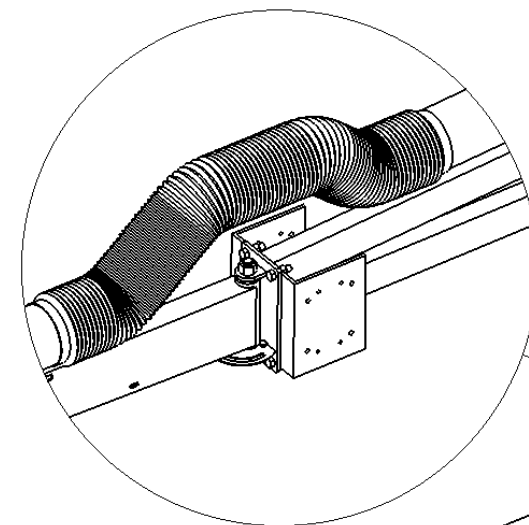
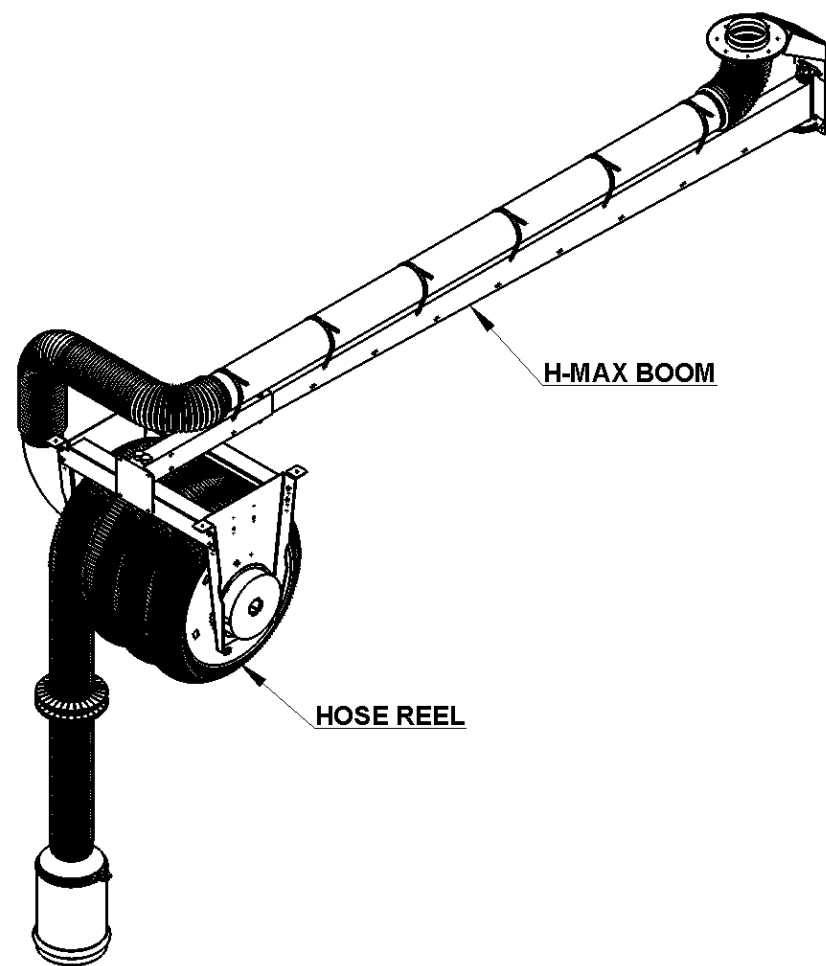


	A	B
VE-ACD-3	1.5m (5')	1.5m (5')
VE-ACD-4.5	3m (10')	1.5m (5')
VE-ACD-6	3m (10')	3m (10')

HORIZONTAL RANGE OF MOTION



OTHER BOOMS OR POSSIBLE BOOM COMBINATION:



14-07

CUSTOMER:
CUSTOMER P.O.:
PROJECT:
ENGINEER:
SALES REP.:
IDENTIFICATION / TAGGING:

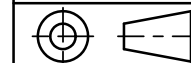
> www.lev-co.com • 1.888.862.5356

lev-co

The device depicted and described hereon embodies proprietary information owned by the manufacturer. All design, manufacturing, reproduction, sales and patent rights regarding this device or drawing reserved except where explicit right is guaranteed in writing. We reserve the right to make design changes.

Drawn by: DAN N
Date: 9/23/2011
Scale: NTS
Weight: N/A

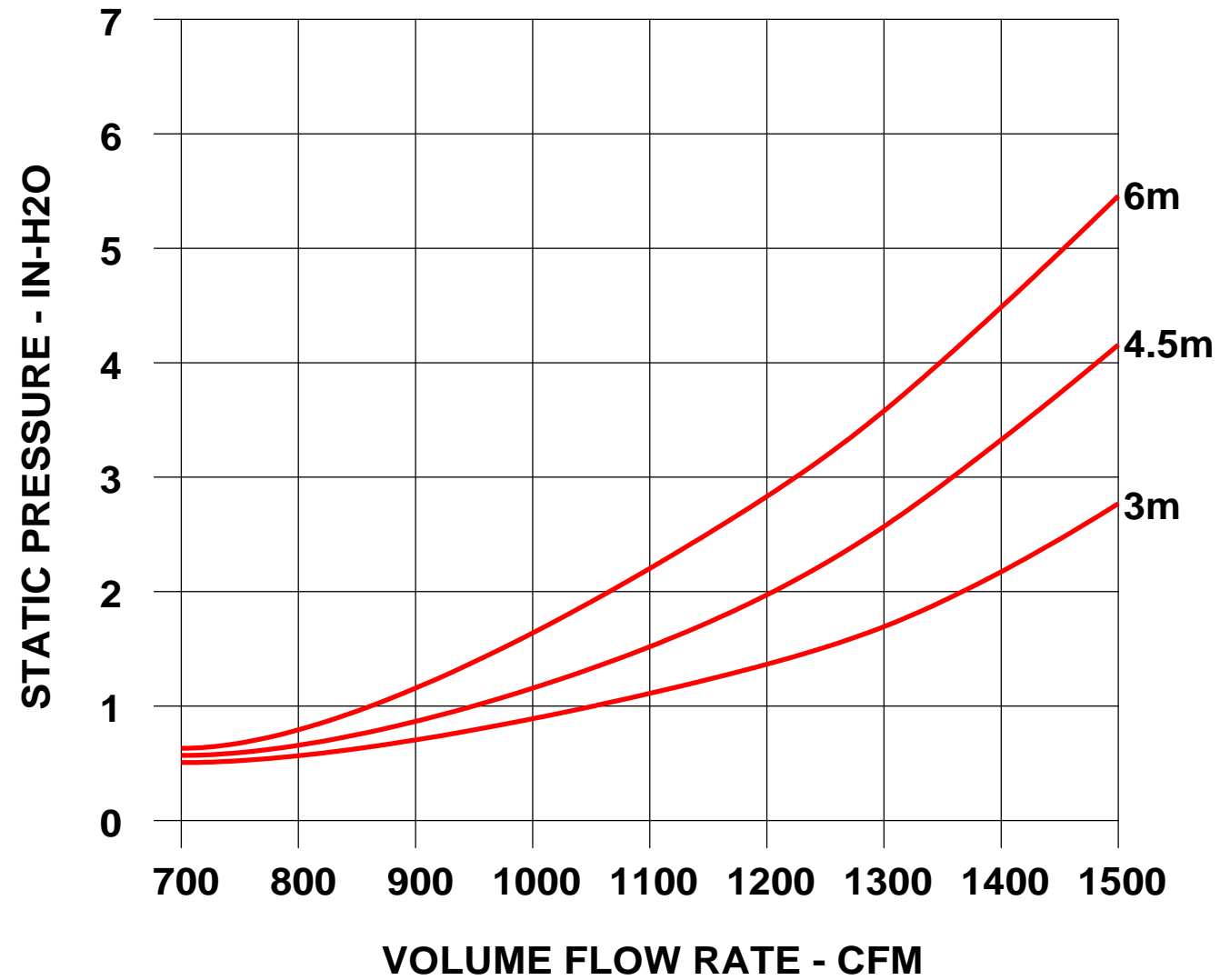
14-07 VE Articulating Crane for Hose Drops
Specification Drawing



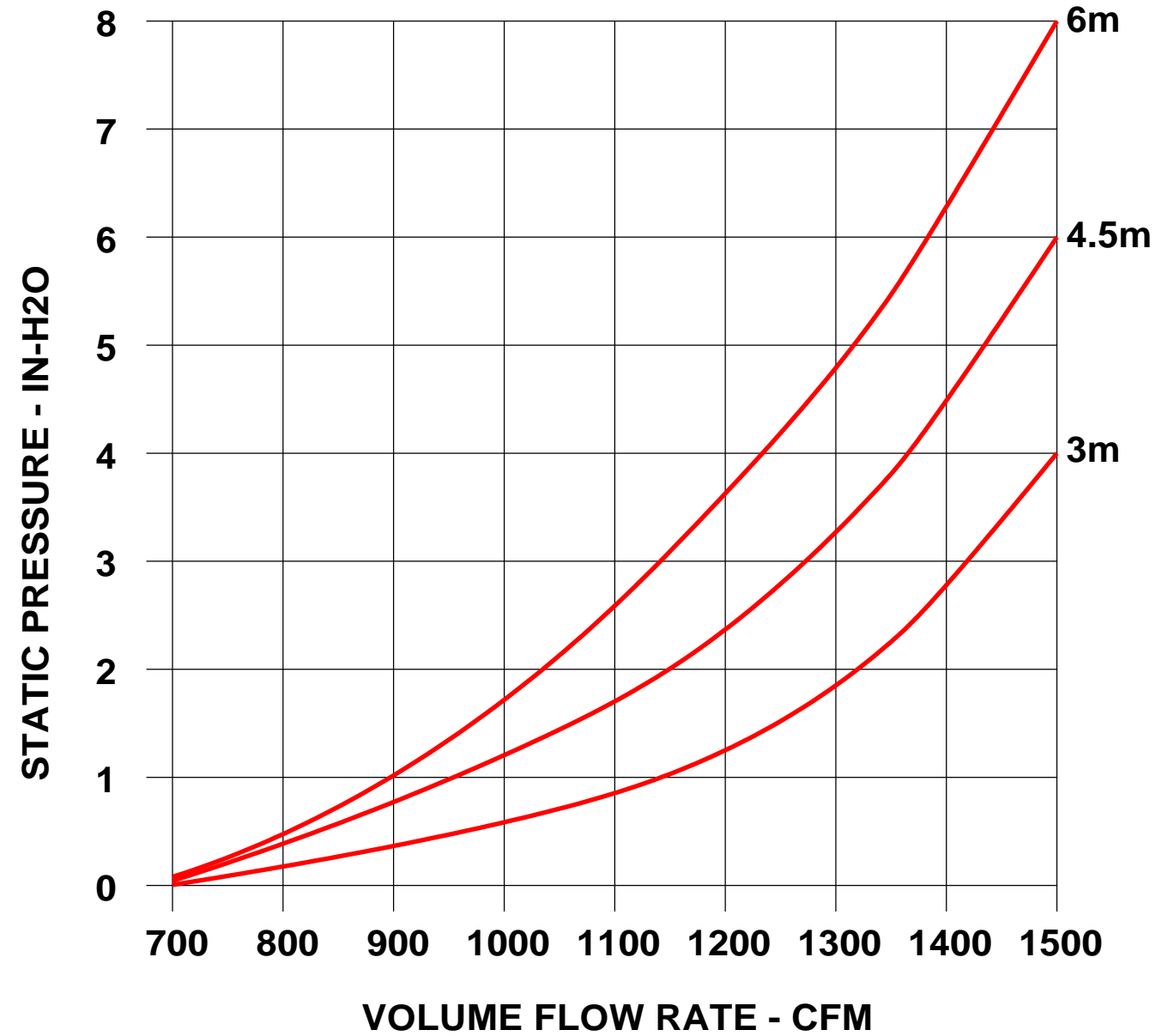
Drawing No.: -
Material: -
File Name: (14-07) VE Articulating Crane - SD
Sheet: 2/4

PERFORMANCE CURVES FOR Ø6" AND Ø8" VE CRANES

Ø6" VE ACD CRANE



Ø8" VE ACD CRANE



14-07

CUSTOMER:
 CUSTOMER P.O.:
 PROJECT:
 ENGINEER:
 SALES REP.:
 IDENTIFICATION / TAGGING:

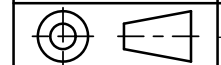
> www.lev-co.com • 1.888.862.5356

lev-co

The device depicted and described hereon embodies proprietary information owned by the manufacturer. All design, manufacturing, reproduction, sales and patent rights regarding this device or drawing reserved except where explicit right is guaranteed in writing. We reserve the right to make design changes.

Drawn by: DAN N
 Date: 9/23/2011
 Scale: NTS
 Weight: N/A

14-07 VE Articulating Crane
 for Hose Drops
 Specification Drawing



Drawing No.: -
 Material: -
 File Name: (14-07) VE Articulating Crane - SD
 Sheet: 3/4

MODELS & OPTIONS:

Part #	Description
8+'' diameter ACD (Articulating Crane Drop)	
<input type="checkbox"/> VE-ACD-6-10-600	6m (20') Articulating crane for VE drops c/w 20' of 10" diameter 600 deg. (F) hose.
<input type="checkbox"/> VE-ACD-6-12-1000	6m (20') Articulating crane for VE drops c/w 20' of 12" diameter 1000 deg. (F) hose.
6'' diameter ACD (Articulating Crane Drop)	
<input type="checkbox"/> VE-ACD-3-6-250	3m (10') Articulating crane for VE drops c/w 20' of 6" diameter 250 deg. (F) hose.
<input type="checkbox"/> VE-ACD-3-6-600	3m (10') Articulating crane for VE drops c/w 20' of 6" diameter 600 deg. (F) hose.
<input type="checkbox"/> VE-ACD-4.5-6-250	4.5m (15') Articulating crane for VE drops c/w 20' of 6" diameter 250 deg. (F) hose.
<input type="checkbox"/> VE-ACD-4.5-6-600	4.5m (15') Articulating crane for VE drops c/w 20' of 6" diameter 600 deg. (F) hose.
<input type="checkbox"/> VE-ACD-6-6-250	6m (20') Articulating crane for VE drops c/w 20' of 6" diameter 250 deg. (F) hose.
<input type="checkbox"/> VE-ACD-6-6-600	6m (20') Articulating crane for VE drops c/w 20' of 6" diameter 600 deg. (F) hose.
8'' diameter ACD (Articulating Crane Drop)	
<input type="checkbox"/> VE-ACD-3-8-250	3m (10') Articulating crane for VE drops c/w 20' of 8" diameter 250 deg. (F) hose.
<input type="checkbox"/> VE-ACD-3-8-600	3m (10') Articulating crane for VE drops c/w 20' of 8" diameter 600 deg. (F) hose.
<input type="checkbox"/> VE-ACD-4.5-8-250	4.5m (15') Articulating crane for VE drops c/w 20' of 8" diameter 250 deg. (F) hose.
<input type="checkbox"/> VE-ACD-4.5-8-600	4.5m (15') Articulating crane for VE drops c/w 20' of 8" diameter 600 deg. (F) hose.
<input type="checkbox"/> VE-ACD-6-8-250	6m (20') Articulating crane for VE drops c/w 20' of 8" diameter 250 deg. (F) hose.
<input type="checkbox"/> VE-ACD-6-8-600	6m (20') Articulating crane for VE drops c/w 20' of 8" diameter 600 deg. (F) hose.
Under Carriage Economy Steel & Rubber Coated Tailpipe Adapters	
<input type="checkbox"/> SRF-3/D	3" Rubber nozzle with vice grip and automatic damper - 6" opening
<input type="checkbox"/> SRF-6	6" Rubber nozzle with vice grip - 8" opening
<input type="checkbox"/> SRF-6/D	6" Rubber nozzle with vice grip and automatic damper - 8" opening
Hose, Hood & Nozzle Options	
<input type="checkbox"/> TP-6-12	6' - 12' Telescoping Pole
Horizontal boom extensions (Optional)	
<input type="checkbox"/> P-190/D-6-250	4m (13.5') HERCULIAN Articulating Extension Boom c/w 6" dia 250 deg (F) hose & duct kit
<input type="checkbox"/> P-190/D-6-600	4m (13.5') HERCULIAN Articulating Extension Boom c/w 6" dia 600 deg (F) hose & duct kit
<input type="checkbox"/> P-194/D-6-250	2m (6.5') HERCULIAN Articulating Extension Boom c/w 6" dia 250 deg (F) hose & duct kit
<input type="checkbox"/> P-194/D-6-600	2m (6.6') HERCULIAN Articulating Extension Boom c/w 6" dia 600 deg (F) hose & duct kit
<input type="checkbox"/> P-195/D-6-250	3m (10') HERCULIAN Articulating Extension Boom c/w 6" dia 250 deg (F) hose & duct kit
<input type="checkbox"/> P-195/D-6-600	3m (10') HERCULIAN Articulating Extension Boom c/w 6" dia 600 deg (F) hose & duct kit
Fans - Single Station and/or Direct Mount (Motor Starter not included)	
<input type="checkbox"/> P-147-1	P-Max direct drive fan 0.5 HP 115V/1/60.
<input type="checkbox"/> P-147-2	P-Max direct drive fan 0.5 HP 208-230V/1/60
<input type="checkbox"/> P-147-3	P-Max direct drive fan 0.5 HP 575V/3/60.
<input type="checkbox"/> P-147-4	P-Max direct drive fan 0.5 HP 230V/1/60.
<input type="checkbox"/> P-148-1	P-Max direct drive fan 1 HP 115V/1/60.
<input type="checkbox"/> P-148-2	P-Max direct drive fan 1 HP 208-230V/1/60.
<input type="checkbox"/> P-148-3	P-Max direct drive fan 1 HP 230-460V/3/60.
<input type="checkbox"/> P-148-4	P-Max direct drive fan 1 HP 575V/3/60.
<input type="checkbox"/> P-149-1	P-Max direct drive fan 1 HP 115/1/60
<input type="checkbox"/> P-149-2	P-Max direct drive fan 1 HP 208-230/460/3/60
<input type="checkbox"/> P-149-3	P-Max direct drive fan 1 HP 575-600/3/60
<input type="checkbox"/> P-149-4	P-Max direct drive fan 1 HP 230/1/60
<input type="checkbox"/> P-152-1	P-Max direct drive fan 1.5 HP 115/230/1/60
<input type="checkbox"/> P-152-2	P-Max direct drive fan 2.0 HP 208-230/460/3/60
<input type="checkbox"/> P-152-3	P-Max direct drive fan 2.0 HP 575-600V/3/60
<input type="checkbox"/> P-153-1	2.0 HP direct drive fan 115/1/60 with BI aluminum wheel with self cleaning blades, AMCA type B spark resistance construction (rated for 1200CFM@5" w.g.)
<input type="checkbox"/> P-153-2	2 HP direct drive fan 208-230/460/3/60 with BI aluminum wheel with self cleaning blades, AMCA type B spark resistance construction (rated for 1200CFM@5" w.g.)
<input type="checkbox"/> P-153-3	2 HP direct drive fan 575/3/60 with BI aluminum wheel with self cleaning blades, AMCA type B spark resistance construction (rated for 1200CFM@5" w.g.)
<input type="checkbox"/> P-154-1	3 HP direct drive fan 208-230/460/3/60 with BI aluminum wheel with self cleaning blades, AMCA type B spark resistance construction (rated for 1800CFM@5.5" w.g.)
<input type="checkbox"/> P-154-2	3 HP direct drive fan 575/3/60 with BI aluminum wheel with self cleaning blades, AMCA type B spark resistance construction (rated for 1800CFM@5.5" w.g.)

Hose Clamps - Bridge Type (Necessary to go over the helix of the hose)

<input type="checkbox"/> MD-530-075-100	3" Ø Bridge Clamp. Clamping range of 70mm-90mm
<input type="checkbox"/> MD-530-100-100	4" Ø Bridge Clamp. Clamping range of 100mm-120mm
<input type="checkbox"/> MD-530-125-100	5" Ø Bridge Clamp. Clamping range of 120mm-140mm
<input type="checkbox"/> MD-530-160-100	6.4" Ø Bridge Clamp. Clamping range of 160mm-180mm
<input type="checkbox"/> MD-530-200-100	8" Ø Bridge Clamp. Clamping range of 200mm-220mm
<input type="checkbox"/> MD-530-250-100	10" Ø Bridge Clamp. Clamping range of 250mm-270mm
<input type="checkbox"/> MD-530-300-100	12" Ø Bridge Clamp. Clamping range of 300mm-320mm
<input type="checkbox"/> MD-530-350-100	14" Ø Bridge Clamp. Clamping range of 350mm-370mm
<input type="checkbox"/> MD-530-400-100	16" Ø Bridge Clamp. Clamping range of 400mm-420mm
<input type="checkbox"/> MD-530-450-100	18" Ø Bridge Clamp. Clamping range of 450mm-470mm
<input type="checkbox"/> MD-530-500-100	20" Ø Bridge Clamp. Clamping range of 500mm-520mm
<input type="checkbox"/> MD-530-600-100	24" Ø Bridge Clamp. Clamping range of 600mm-620mm
<input type="checkbox"/> MD-530-700-100	28" Ø Bridge Clamp. Clamping range of 700mm-720mm
<input type="checkbox"/> MD-530-750-100	30" Ø Bridge Clamp. Clamping range of 700mm-720mm
<input type="checkbox"/> MD-530-800-100	32" Ø Bridge Clamp. Clamping range of 700mm-720mm
<input type="checkbox"/> MD-530-900-100	36" Ø Bridge Clamp. Clamping range of 700mm-720mm

Spiral Duct (Standard ASHRAE Gauges)

<input type="checkbox"/> IN-SD-10	10" Ø Spiral Duct(Galvanized), Gauge. Sold in 10' lengths.
<input type="checkbox"/> IN-SD-11	11" Ø Spiral Duct(Galvanized), Gauge. Sold in 10' lengths, priced/ft.
<input type="checkbox"/> IN-SD-12	12" Ø Spiral Duct(Galvanized), Gauge. Sold in 10' lengths, priced/ft.
<input type="checkbox"/> IN-SD-13	13" Ø Spiral Duct(Galvanized), Gauge. Sold in 10' lengths, priced/ft.
<input type="checkbox"/> IN-SD-14	14" Ø Spiral Duct(Galvanized), Gauge. Sold in 10' lengths, priced/ft.
<input type="checkbox"/> IN-SD-16	16" Ø Spiral Duct(Galvanized), Gauge. Sold in 10' lengths, priced/ft.
<input type="checkbox"/> IN-SD-18	18" Ø Spiral Duct(Galvanized), Gauge. Sold in 10' lengths, priced/ft.
<input type="checkbox"/> IN-SD-20	20" Ø Spiral Duct(Galvanized), Gauge. Sold in 10' lengths, priced/ft.
<input type="checkbox"/> IN-SD-22	22" Ø Spiral Duct(Galvanized), Gauge. Sold in 10' lengths, priced/ft.
<input type="checkbox"/> IN-SD-3	3" Ø Spiral Duct(Galvanized), Gauge. Sold in 10' lengths, priced/ft.
<input type="checkbox"/> IN-SD-4	4" Ø Spiral Duct(Galvanized), Gauge. Sold in 10' lengths, priced/ft.
<input type="checkbox"/> IN-SD-5	5" Ø Spiral Duct(Galvanized), Gauge. Sold in 10' lengths, priced/ft.
<input type="checkbox"/> IN-SD-6	6" Ø Spiral Duct(Galvanized), Gauge. Sold in 10' lengths.
<input type="checkbox"/> IN-SD-7	7" Ø Spiral Duct(Galvanized), Gauge. Sold in 10' lengths, priced/ft.
<input type="checkbox"/> IN-SD-8	8" Ø Spiral Duct(Galvanized), 26 Gauge. Price/ft normally sold in 10' lengths.
<input type="checkbox"/> IN-SD-9	9" Ø Spiral Duct(Galvanized), Gauge. Sold in 10' lengths, priced/ft.

Installation Accessories

<input type="checkbox"/> IN-DSE90-10	10" 90 Degree Elbow - Die Stamped, 24 Gauge.
<input type="checkbox"/> IN-DSE90-12	12" 90 Degree Elbow - Die Stamped, 24 Gauge.
<input type="checkbox"/> IN-DSE90-14	14" 90 Degree Elbow - Die Stamped, 22 Gauge.
<input type="checkbox"/> IN-DSE90-16	16" 90 Degree Elbow - Die Stamped, 22 Gauge.
<input type="checkbox"/> IN-DSE90-18	18" 90 Degree Elbow - Die Stamped, 22 Gauge.
<input type="checkbox"/> IN-DSE90-20	20" 90 Degree Elbow - Die Stamped, 22 Gauge.
<input type="checkbox"/> IN-DSE90-22	22" 90 Degree Elbow - Die Stamped, 22 Gauge.
<input type="checkbox"/> IN-DSE90-3	3" 90 Degree Elbow - Die Stamped, 24 Gauge.
<input type="checkbox"/> IN-DSE90-4	4" 90 Degree Elbow - Die Stamped, 24 Gauge.
<input type="checkbox"/> IN-DSE90-5	5" 90 Degree Elbow - Die Stamped, 24 Gauge.
<input type="checkbox"/> IN-DSE90-6	6" 90 Degree Elbow - Die Stamped, 24 Gauge.
<input type="checkbox"/> IN-DSE90-7	7" 90 Degree Elbow - Die Stamped, 24 Gauge.
<input type="checkbox"/> IN-DSE90-8	8" 90 Degree Elbow - Die Stamped, 24 Gauge.

Fan Control Panels (when ordering main unit)

<input type="checkbox"/> P-024-1	115V/1/60 Fan Motor control station. Permits manual start-stop of the fan. Comes complete with motor overload protection on/off control power cord and plug. Overload rating according to the FLA of the motor. Field assembly & installation required.
<input type="checkbox"/> P-024-2	Fan Motor control station. Permits manual start-stop of the fan. Comes complete with motor overload protection and on/off control. 0.6-1.0A OVERLOAD ---> HP rating: 1/4@230/3/60, 1/2@460/3/60, 1/2@575/3/60
<input type="checkbox"/> P-024-3	Fan Motor control station. Permits manual start-stop of the fan. Comes complete with motor overload protection and on/off control. 1-1.6A OVERLOAD ---> HP rating: 1/3@230/3/60, 3/4@460/3/60, 1.0@575/3/60
<input type="checkbox"/> P-024-4	Fan Motor control station. Permits manual start-stop of the fan. Comes complete with motor overload protection and on/off control. 1.6-2.5A OVERLOAD ---> HP rating: 1/2@230/3/60, 1.0@460/3/60, 1.5@575/3/60
<input type="checkbox"/> P-024-5	Fan Motor control station. Permits manual start-stop of the fan. Comes complete with motor overload protection and on/off control. 2.5-4A OVERLOAD ---> HP rating: 1.0@230/3/60, 2.0@460/3/60, 3.0@575/3/60

Fan Mounting Brackets

<input type="checkbox"/> P-045	P-MAX fan mounting bracket c/w swivel. For P-Max fan on H-Max Ext. Boom for Flexi-I, Pro-Flex Extr.Crane(4",5",6.5"),VE Ext. Boom for Hose Reels&Hose Drops(4",5",6")&VE articulating Crane for Hose Drops (4", 5", 6")
<input type="checkbox"/> P-151	P-MAX fan mounting bracket c/w swivel. To be used to install a P-Max fan on a H-Max Extension Boom for Flexi-II and E-Z Arm, Pro-Flex Extraction Crane (8" dia.), VE Extension Boom for Hose Reels&Hose Drops (8" dia.) and VE articulating Crane for Hose Drops (8" dia.)

14-07

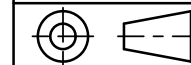
CUSTOMER:
CUSTOMER P.O.:
PROJECT:
ENGINEER:
SALES REP.:
IDENTIFICATION / TAGGING:

> www.lev-co.com • 1.888.862.5356

lev-co

The device depicted and described hereon embodies proprietary information owned by the manufacturer. All design, manufacturing, reproduction, sales and patent rights regarding this device or drawing reserved except where explicit right is guaranteed in writing. We reserve the right to make design changes.

Drawn by:	DAN N
Date:	9/23/2011
Scale:	NTS
Weight:	N/A



14-07 VE Articulating Crane for Hose Drops Specification Drawing

Drawing No.:	-	File Name: (14-07) VE Articulating Crane
Material:	-	Sheet: 4/4