

SPECIFICATIONS:

CONSTRUCTION: 16 Gauge welded steel cabinet with Powder-Coat finish. Unit includes a top filter access door, Ultra-Seal® filter mounting system, an acoustically lined blower cabinet with access panel, a bottom inlet collar, and an 8' power cord. Three phase units wired to a junction box; circuit and motor overload protection by others.

WEIGHT: 148 lbs.

AIRFLOW: 500 CFM

NOISE: 71 dBA (with after-filters)

ELECTRICAL: 1/2 HP 115/1/60, 7.2 amps, std.
 1/2 HP 208-230/460/3/60, 2.6-2.0/1 amps, opt.

MAIN FILTERS: (3) MistPlus® II Filters, std.

AFTER FILTER OPTIONS: (1) 4" MERV 14, washable synthetic (17.50 L x 18.50 T x 4.0 D) STD.

(1) 4" 99.97% HEPA, opt. (17.50 L x 18.50 T x 4.0 D)

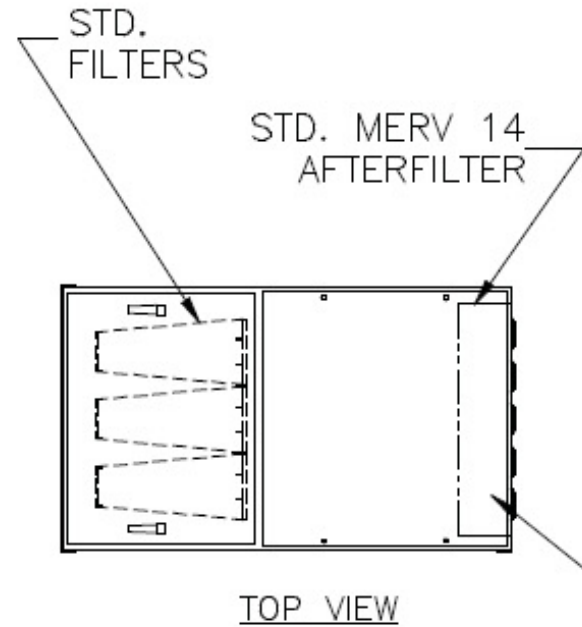
OTHER OPTIONS: Pressure gauge kit indicates filter changes

Optional side inlet (includes drain loop kit)

Suspension mount

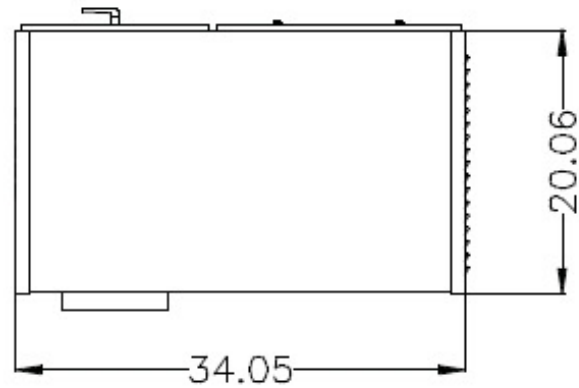
Leg kit

FIRE SUPPRESSION: Equipment provided by others

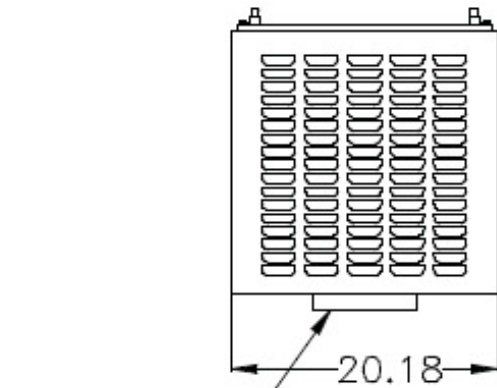


OPTIONAL HEPA AFTER-FILTER

THREADED ROD AND/OR CHAINS AND EYEBOLTS BY OTHERS

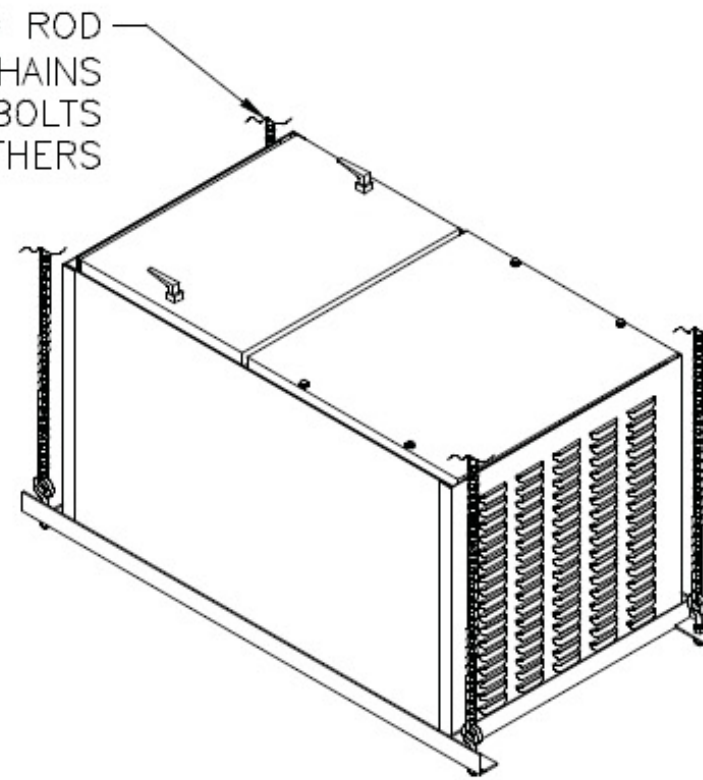


FRONT VIEW

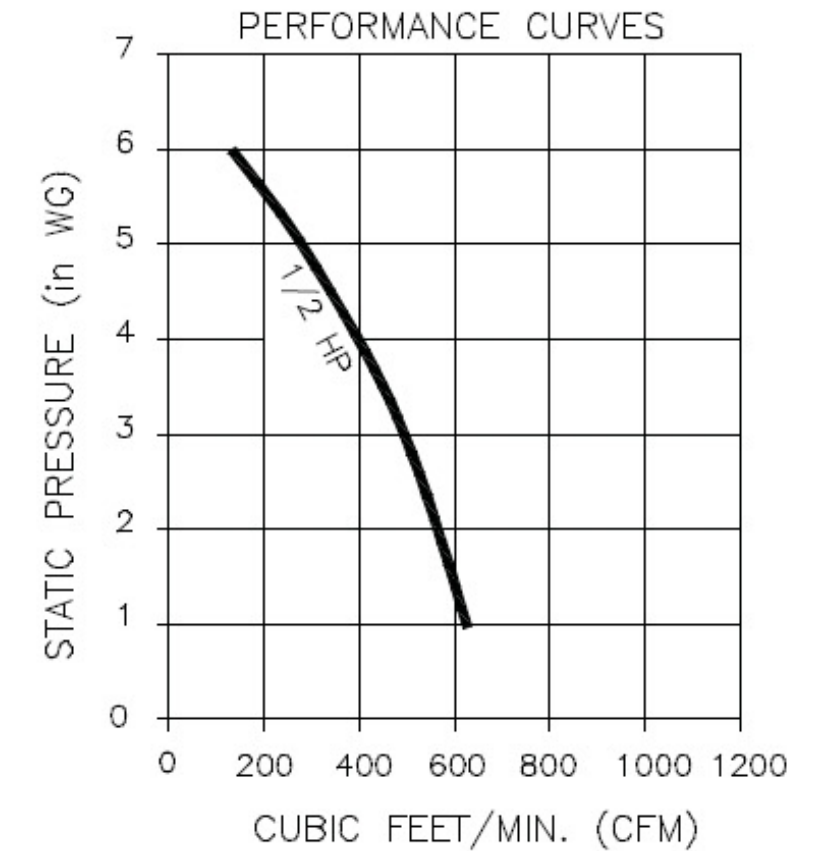


7.88" DIA. INLET

SIDE VIEW



SUSPENSION MOUNT OPTION



CUSTOMER:	
CUSTOMER P.O.:	
PROJECT:	
ENGINEER:	
SALES REP.:	
IDENTIFICATION / TAGGING:	

> www.lev-co.com • 1.888.862.5356

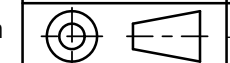
lev-co

The device depicted and described hereon embodies proprietary information owned by the manufacturer. All design, manufacturing, reproduction, sales and patent rights regarding this device or drawing reserved except where explicit right is guaranteed in writing. We reserve the right to make design changes.

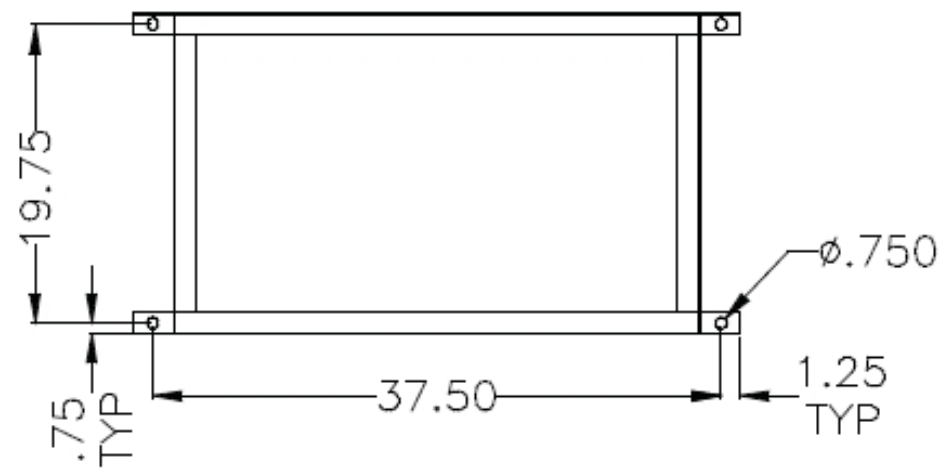
Drawn by:	Janos B
Date:	1/13/2012
Scale:	NTS
Weight:	N/A

MPH 5

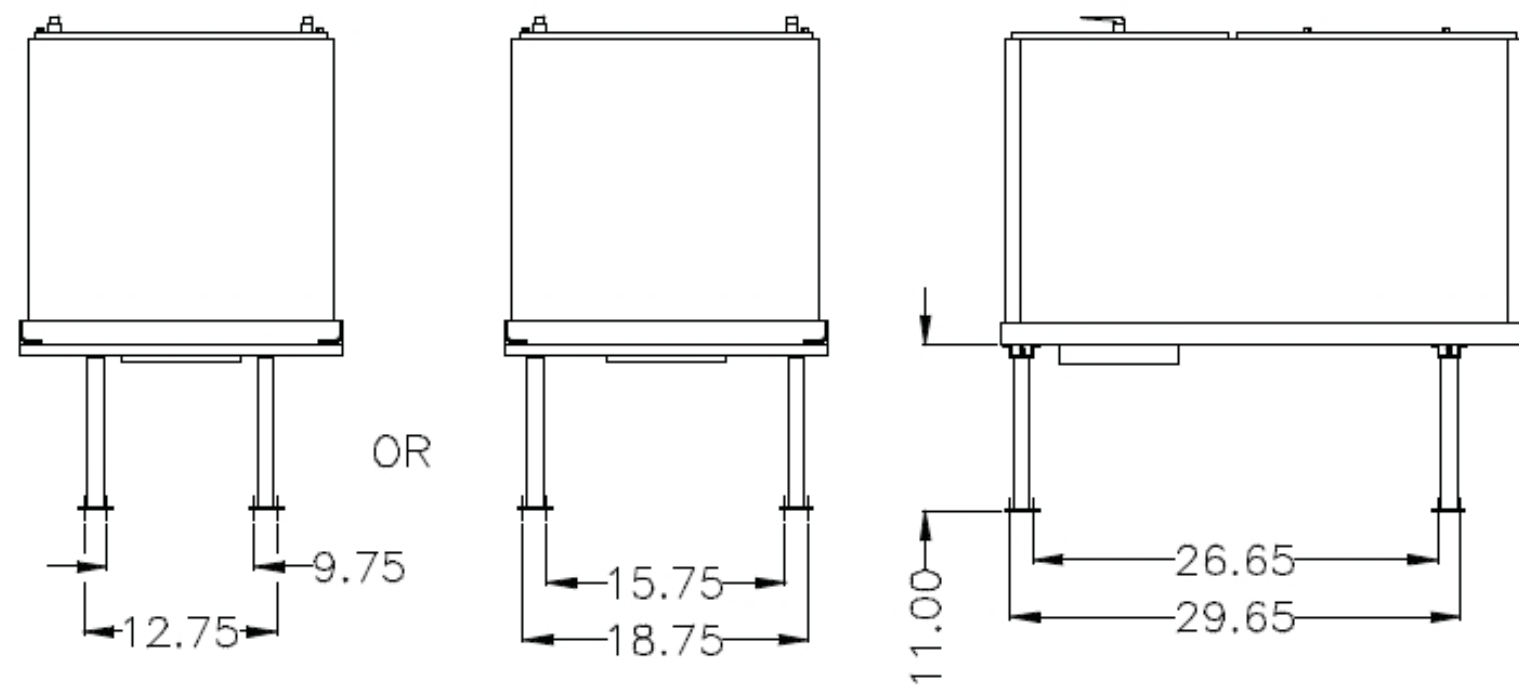
Specification Drawing



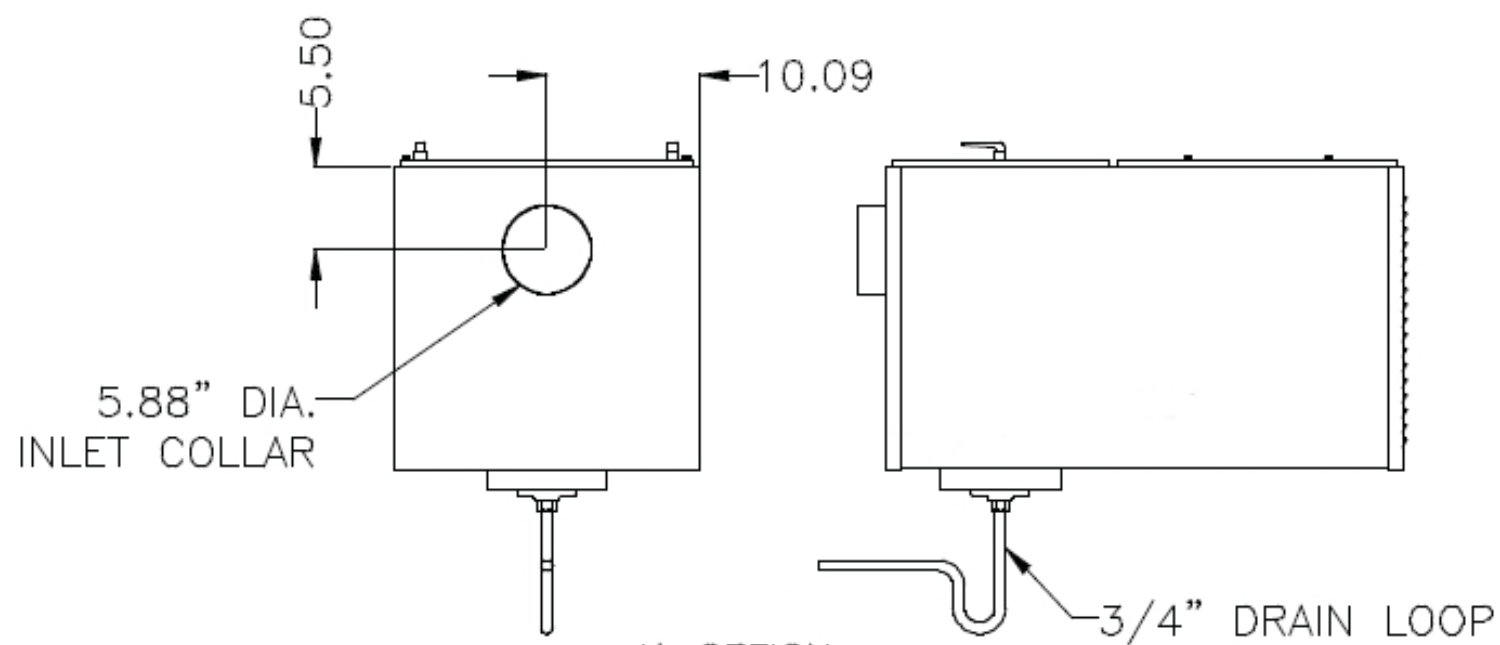
Drawing No.:	-	File Name:	MPH 5 - SD
Material:	-		



SUSPENSION MOUNT OPTION



LEG KIT OPTION



IA OPTION

CUSTOMER:
 CUSTOMER P.O.:
 PROJECT:
 ENGINEER:
 SALES REP.:
 IDENTIFICATION / TAGGING:

> www.lev-co.com • 1.888.862.5356



The device depicted and described hereon embodies proprietary information owned by the manufacturer. All design, manufacturing, reproduction, sales and patent rights regarding this device or drawing reserved except where explicit right is guaranteed in writing. We reserve the right to make design changes.

Drawn by: Janos B
 Date: 1/13/2012
 Scale: NTS
 Weight: N/A

MPH 5	
Specification Drawing	
Drawing No.: -	File Name: MPH 5 - SD
Material: -	Sheet: 2/3

MODELS & OPTIONS:

Main System / Part

Part #	Description
<input type="checkbox"/> _____ MPH5	500 cfm source capture mist collector with (3) MIST-PLUS™ II main filter with (1) MERV14 pleated synthetic, washable filter. (17.5" x 18.5" x 3.75"). ½ Hp 115/1/60 Hz (7.2/3.6 amps) 71 dBA, with rubber vibration isolator, or 208-230/460/3/60 Hz (2.6-2/1

Filter Options (when ordering main unit)

Part #	Description
<input type="checkbox"/> _____ MPH-5-2AF8-4550	MIST-PLUS™ II filter, metal frames.
<input type="checkbox"/> _____ MPH-5-7FJ9-9004	HEPA, 99.97% filter. (18" x 19" x 4"). (1) Required.
<input type="checkbox"/> _____ MPH-5-7FP1-4502	Filter pleated. (18" x 19" x 3.75"). MERV 14 efficiency. Synthetic, Washable. (1) Required.

Misc. Options (when ordering main unit)

Part #	Description
<input type="checkbox"/> _____ MPH 5-EXT-SIL	External Silencer.
<input type="checkbox"/> _____ MPH 5-HANGING-CRADLE	Bracket/Frame, with gasket to hang unit from ceiling.
<input type="checkbox"/> _____ MPH 5-HEPA	(1) Internal 99.97% HEPA filter. (17.5" x 18.5" x 4"). In addition to main MIST-PLUS™ II filters.
<input type="checkbox"/> _____ MPH 5-IA-FRONT	Cover the bottom inlet, and install a 6" collar to FRONT ONLY of unit and install a drain loop, 1" x 3/4" reduce fitting with 3/4" copper p-trap pipe fittings and instructions. **For 8" collar use, 2KT84901**
<input type="checkbox"/> _____ MPH 5-PG-5	0-5" Minihelic dial pressure gauge with AFS logo with mounting bracket, painted Gray. Specify Location or it will ship loose.
<input type="checkbox"/> _____ MPH 5-PG-6	0-6" Magnahelic dial pressure gauge with AFS logo with and mounting bracket, painted Gray. Specify Location or it will ship loose.
<input type="checkbox"/> _____ MPH 5-STAND-10"	Kit, 10" stand.

CUSTOMER:
CUSTOMER P.O.:
PROJECT:
ENGINEER:
SALES REP.:
IDENTIFICATION / TAGGING:

> www.lev-co.com • 1.888.862.5356

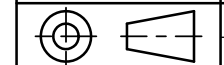
lev-co

The device depicted and described hereon embodies proprietary information owned by the manufacturer. All design, manufacturing, reproduction, sales and patent rights regarding this device or drawing reserved except where explicit right is guaranteed in writing. We reserve the right to make design changes.

Drawn by: Janos B
Date: 1/13/2012
Scale: NTS
Weight: N/A

MPH 5

Specification Drawing



Drawing No.: -
Material: -
File Name: MPH 5 - SD

Sheet: 3/3