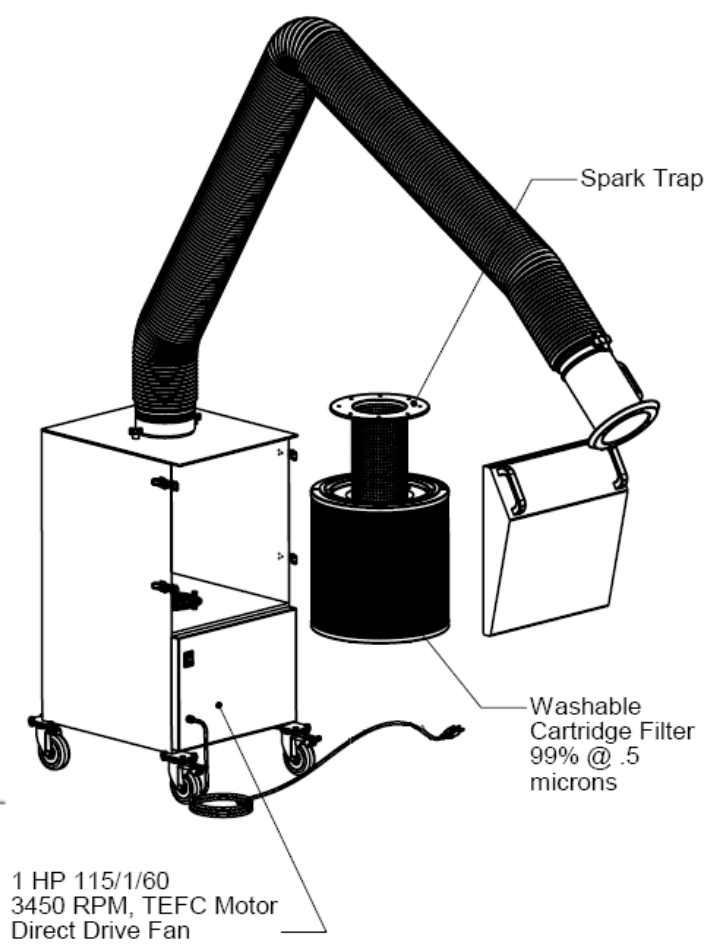


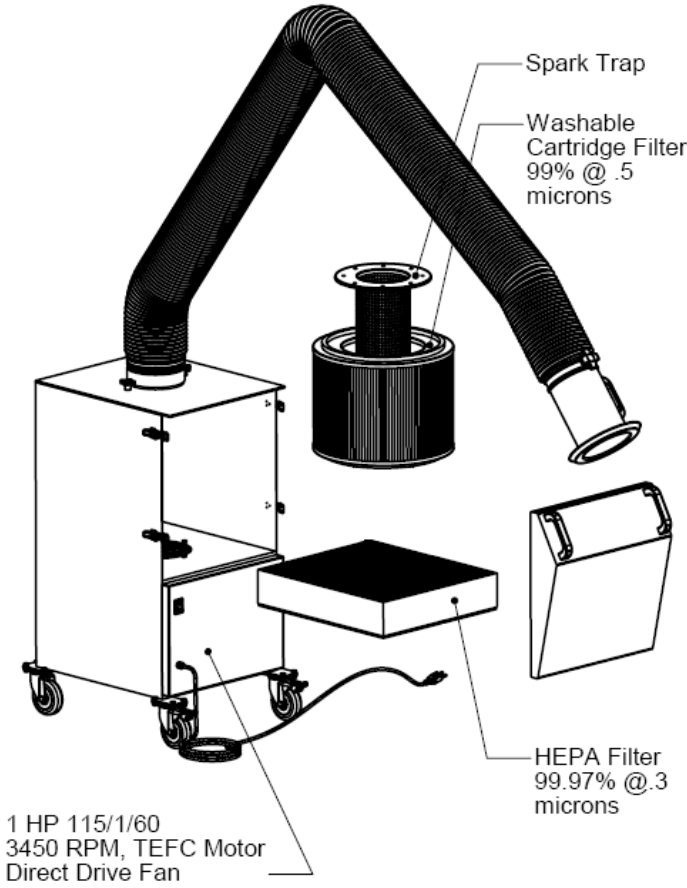
STANDARD UNIT



TECHNICAL DATA:
 Airflow: Up to 700 CFM
 Power: 115/1/60 11 amps
 Noise Level: 72-74 dBA @ 5 ft.
 Weight: 175 lbs.

- | Part # | Description |
|--|--|
| Main System / Part | |
| <input type="checkbox"/> SE-1400 | SE-1400 Portable Filter unit with 3m (10') extractor arm 1 HP 115/1/60 TEFC motor. Color: Main |
| Replacement filters & related | |
| <input type="checkbox"/> SE-1400-HEPA | HEPA Replacement Filter for SE-1400 Filter Units. Efficiency: 99.97% efficiency @ 0.3 microns. This After Filter is required for all stainless steel and other applications where OSHA calls for a HEPA filter. |
| <input type="checkbox"/> SE-1400-ST-150 | Spark Trap for Cylindrical (open both ends) filter. |
| <input type="checkbox"/> SE-1400-TH-160 | Threaded Rod Set for P-160 Filters (set of 2) |
| <input type="checkbox"/> SE-1400-W | Washable spun-bound polyester "Spark Resistant" replacement filter cartridge for SE 1400 units Suitable for Dry & Oily smoke applications. Cleanable with Compressed air, Detergent and/or high pressure water. |

WITH HEPA OPTION



CUSTOMER:
CUSTOMER P.O.:
PROJECT:
ENGINEER:
SALES REP.:
IDENTIFICATION / TAGGING:

North America's Largest Fleet of Welding and Positioning Equipment

www.red-d-arc.com 1-866-733-3272

Red-D-Arc Welderentals

When you're ready to weld.

The device depicted and described hereon embodies proprietary information owned by the manufacturer. All design, manufacturing, reproduction, sales and patent rights regarding this device or drawing reserved except where explicit right is guaranteed in writing. We reserve the right to make design changes.

Drawn by: Janos B.	SE1400 SMOKE EXTRACTOR	
Date: 10/2/2008		
Scale: NTS	Specification Drawing	
Weight: N/A		
	Drawing No.: -	File Name: SE1400 Smoke Extractor - SD
	Material: -	Sheet: 1/1