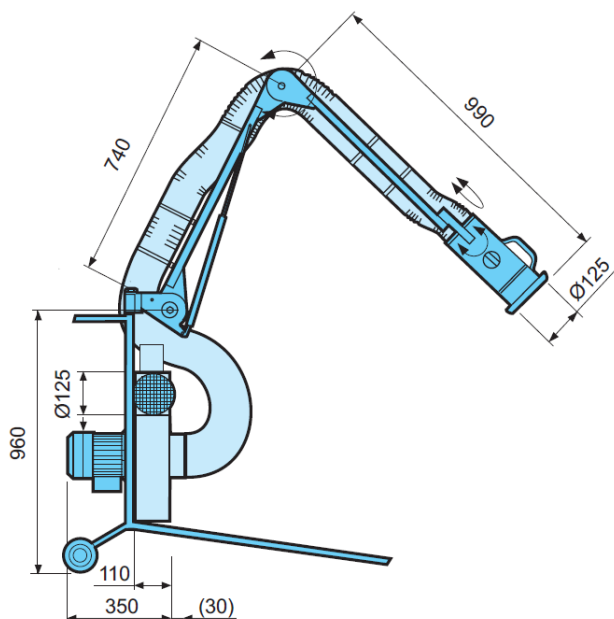




PAF-5-7

Mobile local extractor for use in workshops, building sites, etc.

Transportable extractor with a 2 m arm. Complete with fan 0,75kW - 1 phase, 5 m cable, protective motor switch and 7 m hose on the outlet.



Technical data

Hose

Dimension Ø 125 mm
 Quality Non-inflammable PVC
 Temperature range... -10°C to +90° C

Fan

Motor 240 V / 50 Hz 1-phase 0,55 kW
 Airflow 800-900 m³/h (max) 222-250 l/s
 Sound level..... 60 dB(A)

Other

Working radius..... 2 m
 Cable..... 5 m
 Weight..... 35 kg
 Sheet metal details... Powder coated

Equipped with a protective motor switch