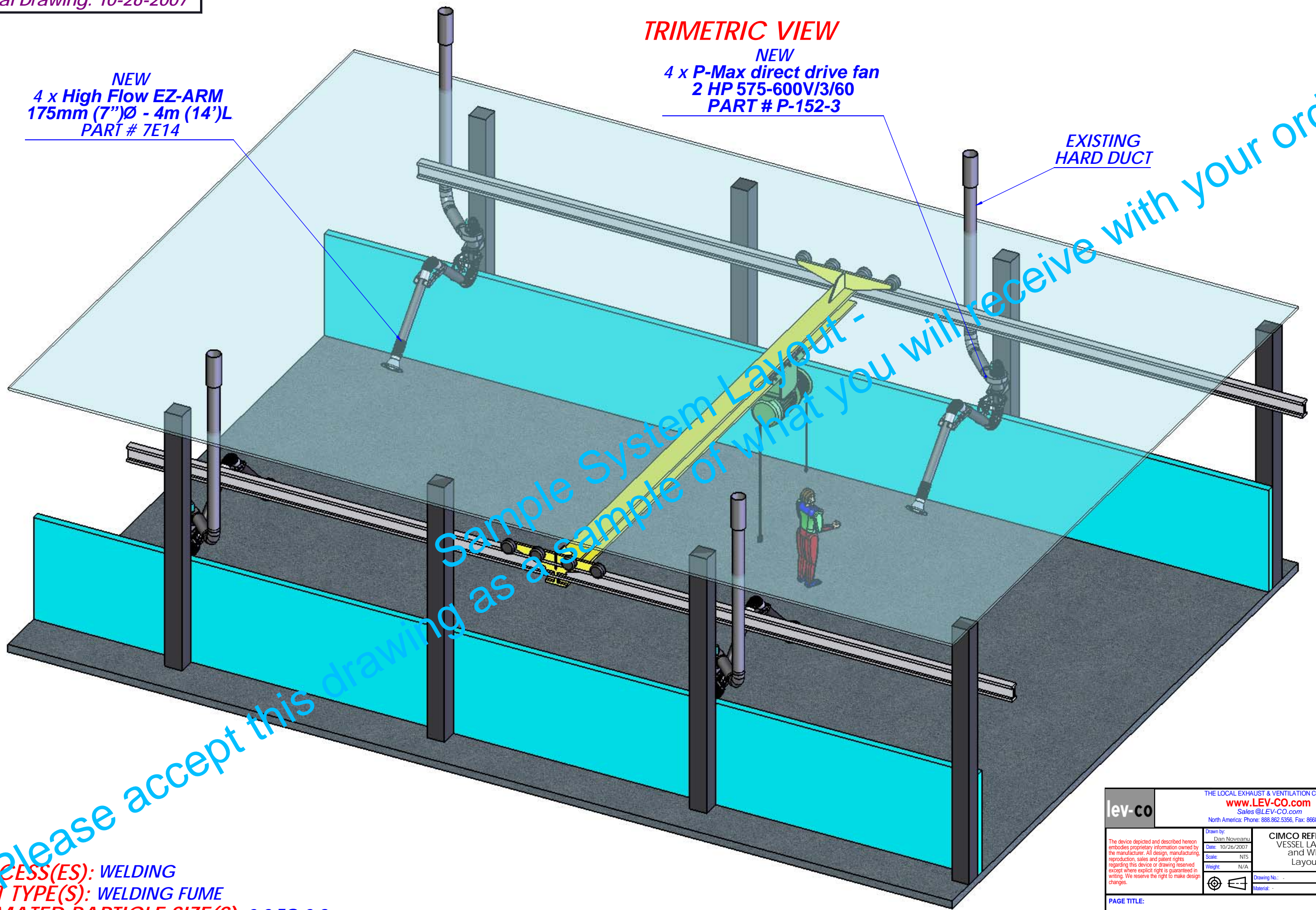


TRIMETRIC VIEW

NEW
4 x High Flow EZ-ARM
175mm (7")Ø - 4m (14')L
PART # 7E14

NEW
4 x P-Max direct drive fan
2 HP 575-600V/3/60
PART # P-152-3

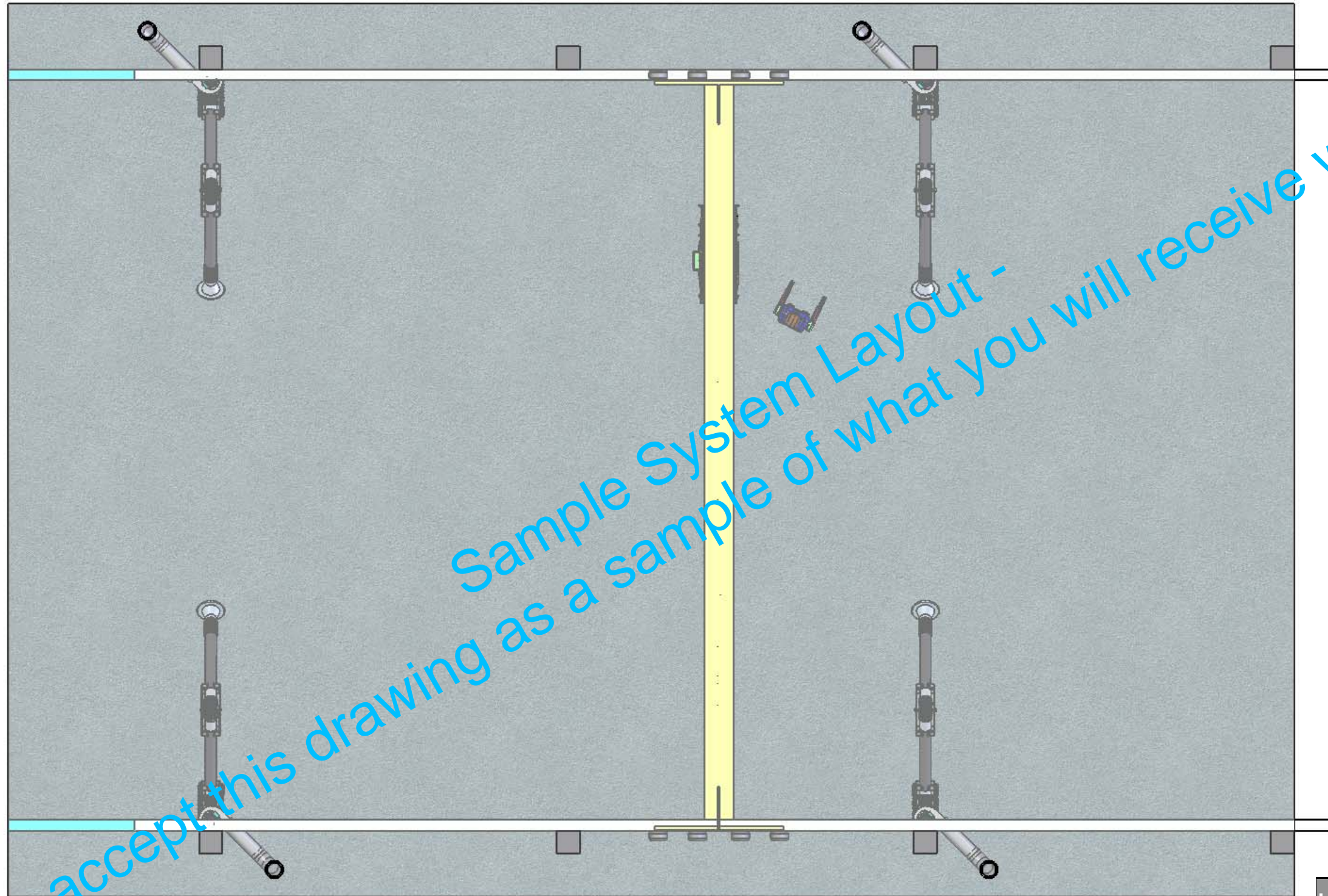
EXISTING
HARD DUCT




PROCESS(ES): WELDING
DUST TYPE(S): WELDING FUME
ESTIMATED PARTICLE SIZE(S): 0.2 TO 0.8 µm

THE LOCAL EXHAUST & VENTILATION COMPANY lev-co www.LEV-CO.com Sales @LEV-CO.com North America: Phone: 888.862.5356, Fax: 866.840.9923	
Drawn by: Dan Noveanu Date: 10/26/2007 Scale: NTS Weight: N/A	CIMCO REFRIDGERATION VESSEL LAYOUT-FIT UP and WELD AREA Layout Drawing
The device depicted and described herein embodies proprietary information owned by the manufacturer. All design, manufacturing, reproduction, sales and patent rights regarding this device or drawing reserved except where explicit right is guaranteed in writing. We reserve the right to make design changes.	Drawing No.: File Name: Material: Sheet: 1/5
PAGE TITLE: GENERAL PRESENTATION - 3D OVERVIEW	

TOP VIEW




Please accept this drawing as a sample of what you will receive with your order

lev-co	THE LOCAL EXHAUST & VENTILATION COMPANY	
	www.LEV-CO.com Sales @LEV-CO.com North America: Phone: 888.862.5356, Fax: 866.840.9923	
<small>The device depicted and described herein embodies proprietary information owned by the manufacturer. All design, manufacturing, reproduction, sales and patent rights regarding this device or drawing reserved except where explicit right is guaranteed in writing. We reserve the right to make design changes.</small>	Drawn by: Dan Noveanu	CIMCO REFRIDGERATION VESSEL LAYOUT-FIT UP and WELD AREA Layout Drawing
	Date: 10/26/2007	
	Scale: NTS	
	Weight: N/A	
	Drawing No.: -	File Name: -
PAGE TITLE:	PLAN VIEW	
	Material: -	Sheet: 1/5

SIDE VIEW



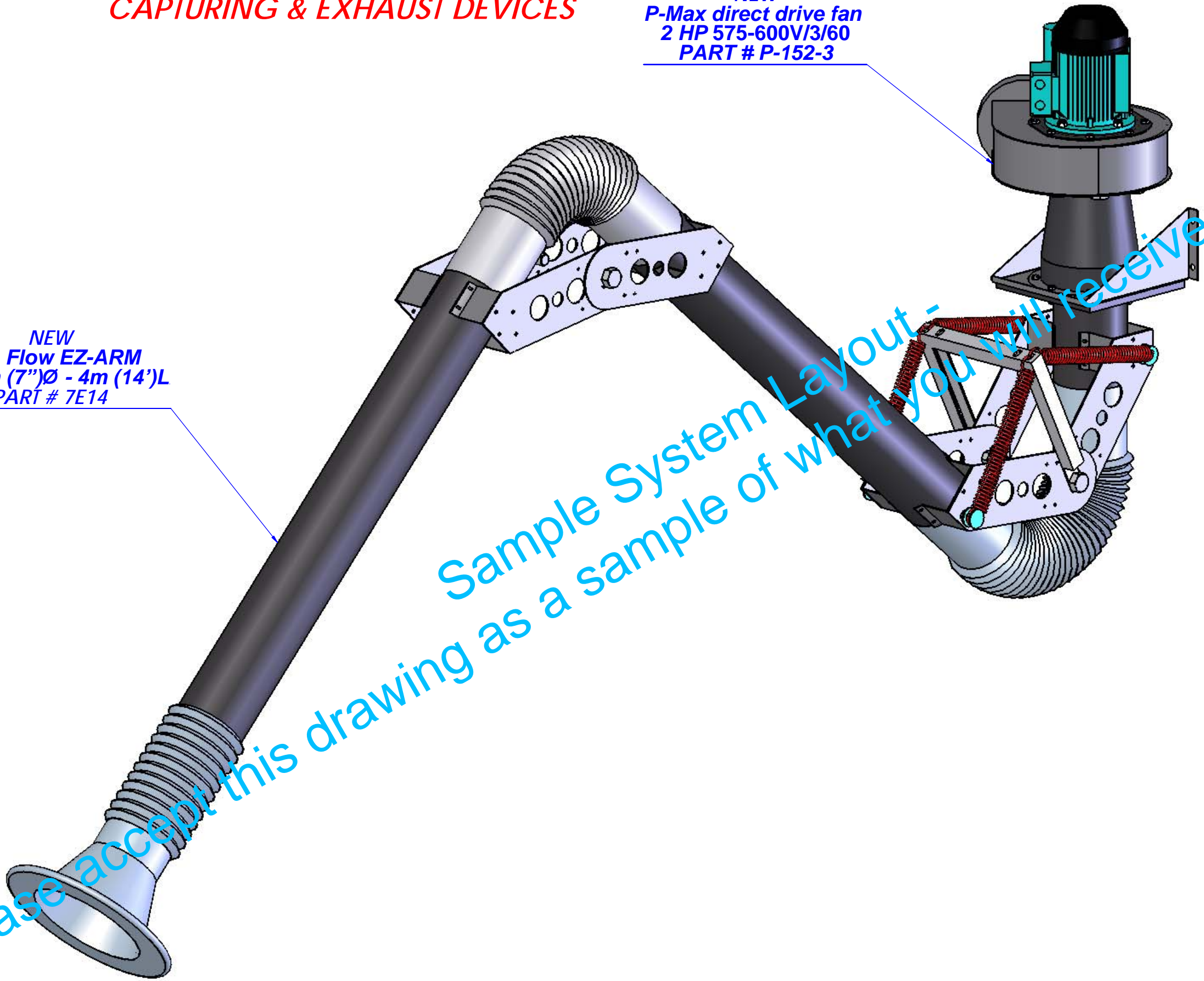
Please accept this drawing as a sample of what you will receive with your order - Sample System Layout -

lev-co	THE LOCAL EXHAUST & VENTILATION COMPANY	
	www.LEV-CO.com Sales @LEV-CO.com North America: Phone: 888.862.5356, Fax: 866.840.9923	
<small>The device depicted and described herein embodies proprietary information owned by the manufacturer. All design, manufacturing, reproduction, sales and patent rights regarding this device or drawing reserved except where explicit right is guaranteed in writing. We reserve the right to make design changes.</small>	Drawn by: Dan Noveanu	CIMCO REFRIDGERATION VESSEL LAYOUT-FIT UP and WELD AREA Layout Drawing
	Date: 10/26/2007	
	Scale: NTS	
	Weight: N/A	
	Drawing No.: -	File Name: -
PAGE TITLE:	ELEVATION VIEW	
	Material: -	Sheet: 1/5

CAPTURING & EXHAUST DEVICES

NEW
P-Max direct drive fan
2 HP 575-600V/3/60
PART # P-152-3

NEW
High Flow EZ-ARM
175mm (7")Ø - 4m (14')L
PART # 7E14



Please accept this drawing as a sample of what you will receive with your order

lev-co	THE LOCAL EXHAUST & VENTILATION COMPANY	
	www.LEV-CO.com Sales @LEV-CO.com North America: Phone: 888.862.5356, Fax: 866.840.9923	
<small>The device depicted and described herein embodies proprietary information owned by the manufacturer. All design, manufacturing, reproduction, sales and patent rights regarding this device or drawing reserved except where explicit right is guaranteed in writing. We reserve the right to make design changes.</small>	Drawn by: Dan Noveanu	CIMCO REFRIDGERATION VESSEL LAYOUT-FIT UP and WELD AREA Layout Drawing
	Date: 10/26/2007	
	Scale: NTS	
	Weight: N/A	
Drawing No: _____		File Name: _____
Material: _____		Sheet: 1/5
PAGE TITLE: CAPTURING & EXHAUST DEVICES - 3D OVERVIEW		