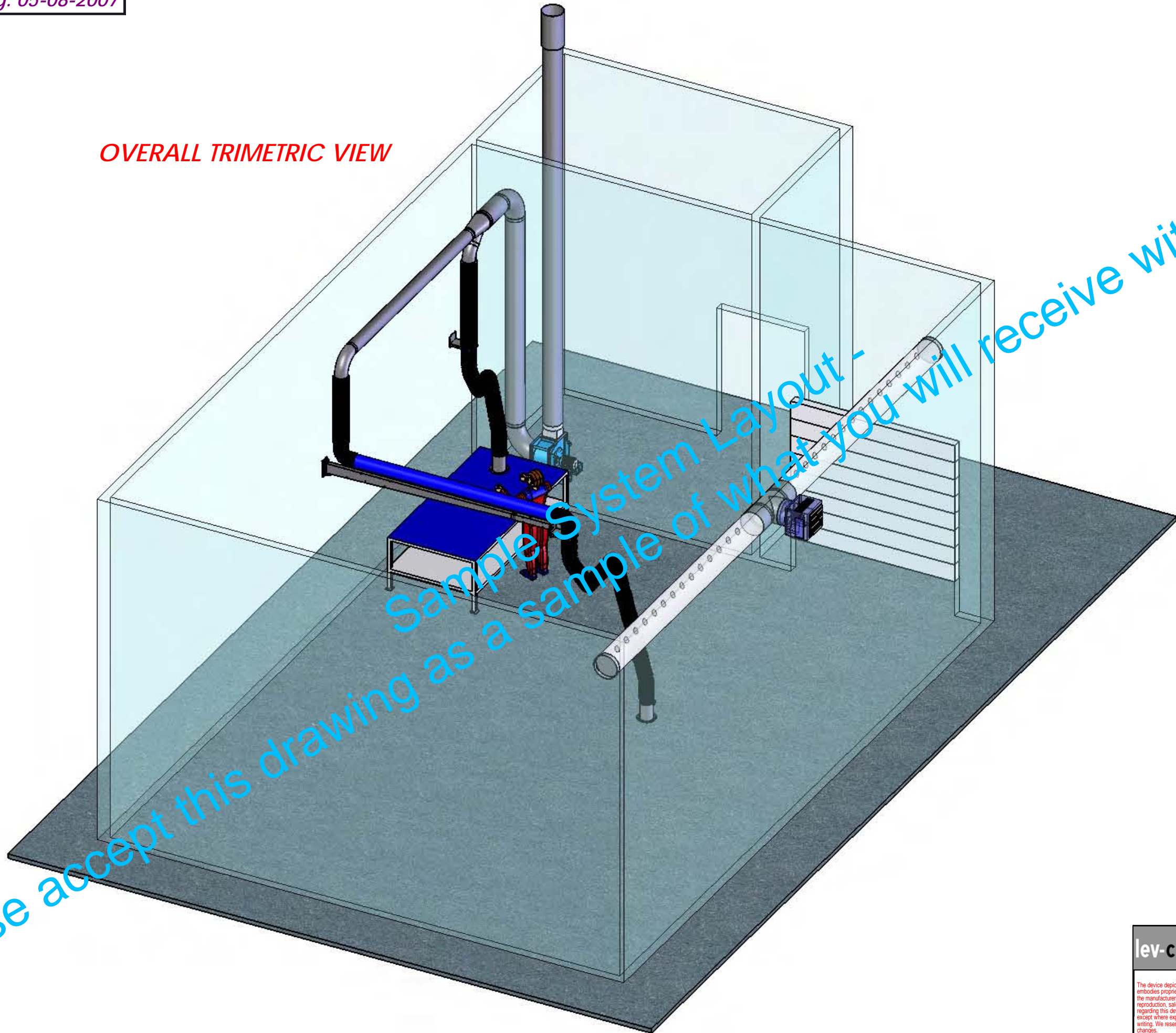


OVERALL TRIMETRIC VIEW



Please accept this drawing as a sample of what you will receive with your order

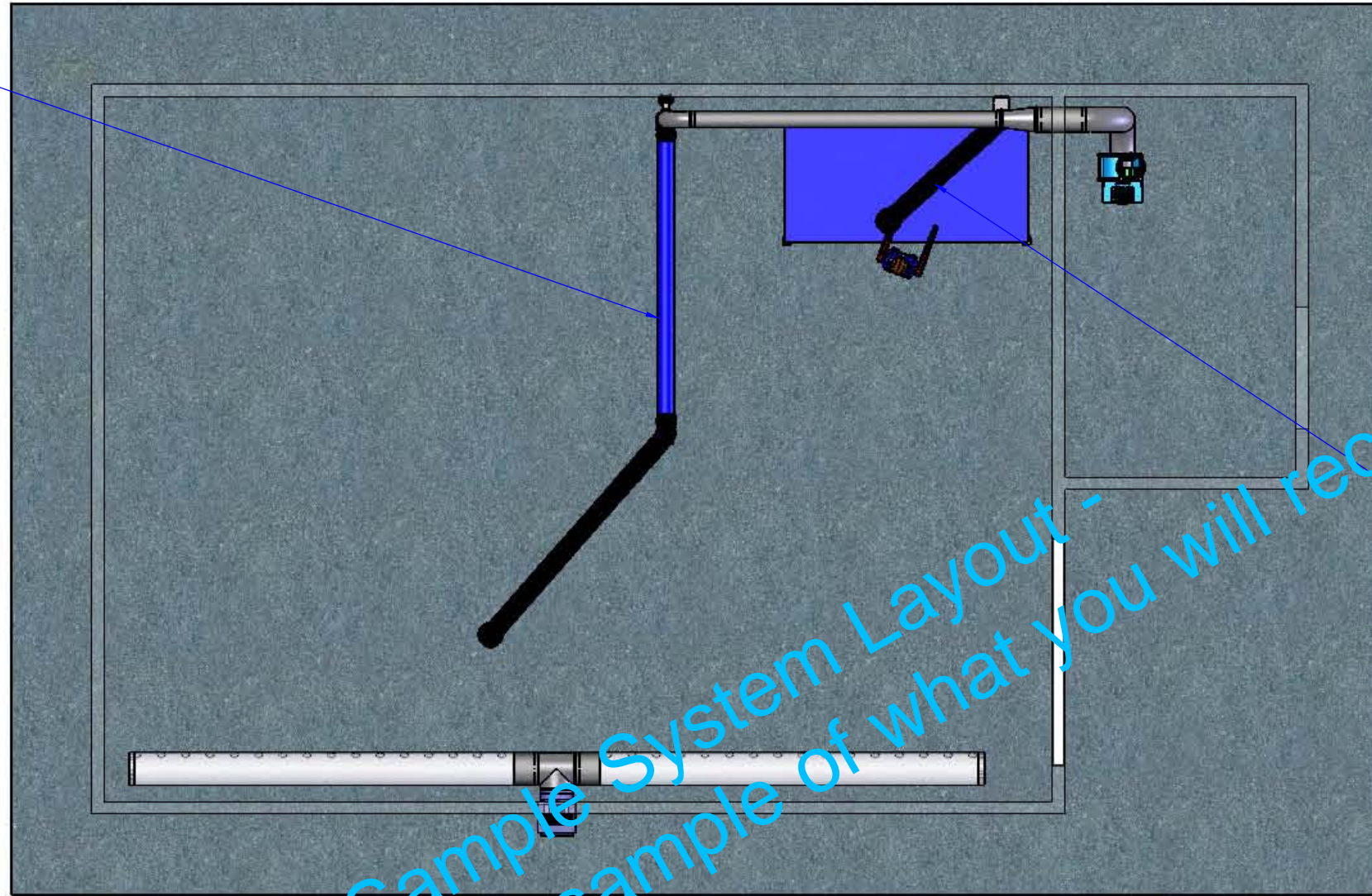
lev-co	THE LOCAL EXHAUST & VENTILATION COMPANY		
	www.LEV-CO.com Sales@LEV-CO.com		
North America: Phone: 888.862.5356, Fax: 866.840.9923			
Drawn by:	Dan Novemanu	PRAXAIR S.T.A.C.A. Layout drawing	
Date:	05/05/2007		
Scale:	NTS		
Weight:	N/A		
The device depicted and described herein embodies proprietary information owned by the manufacturer. All design, manufacturing, reproduction, sales and patent rights regarding this device or drawing reserved except where explicit right is guaranteed in writing. We reserve the right to make design changes.		Drawing No.:	File Name:
		Material:	Sheet: 1/5

Updated Drawing: 05-08-2007

TOP VIEW

17' FLEXI-2 EXTRACTION ARM
ON 13' H-MAX BOOM
8" DIAMETER

ARM "A"



13.5' FLEXI-II EXTRACTION ARM
8" DIAMETER

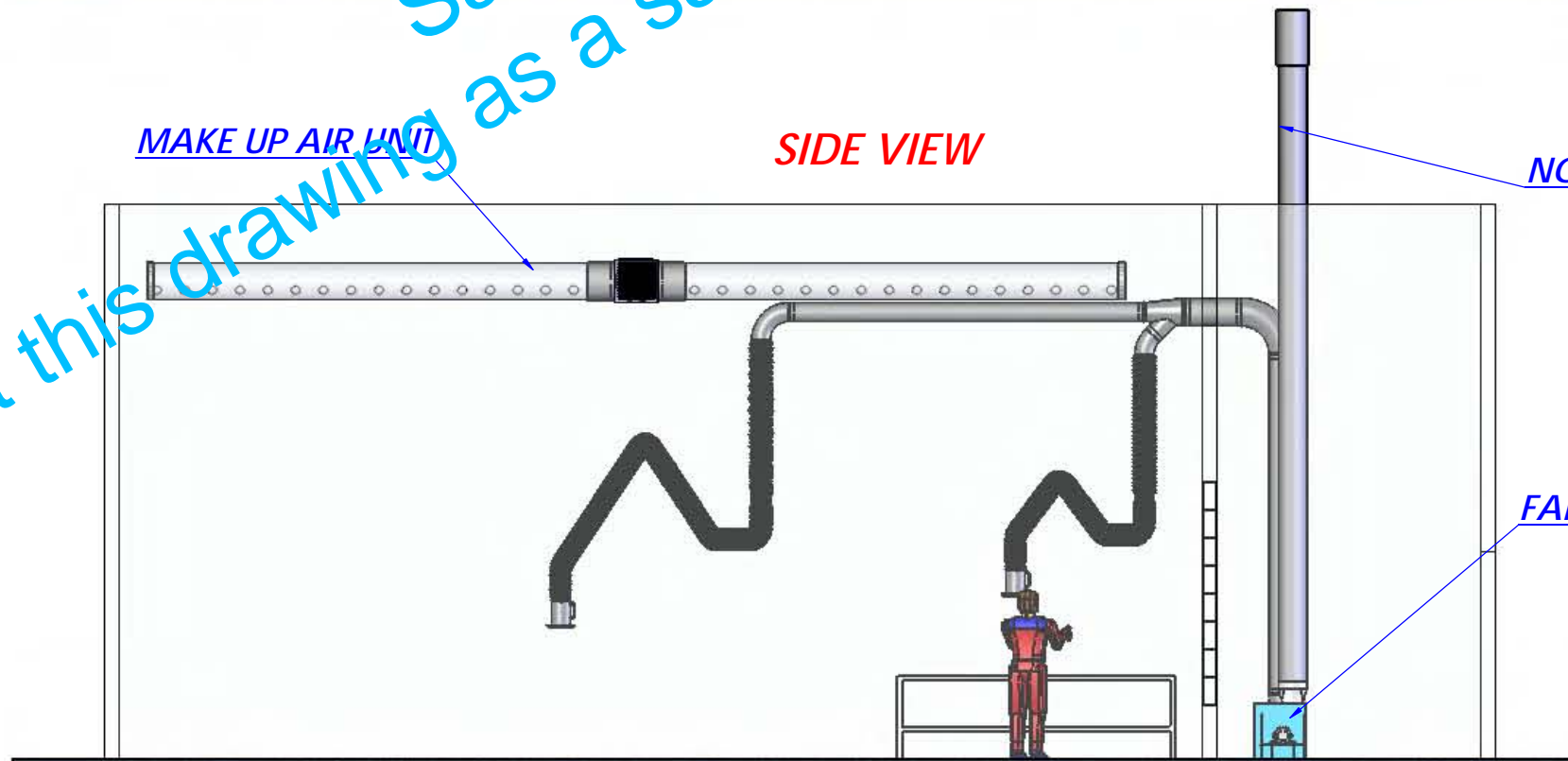
ARM "B"

SIDE VIEW

MAKE UP AIR UNIT

NO LOSS STACK

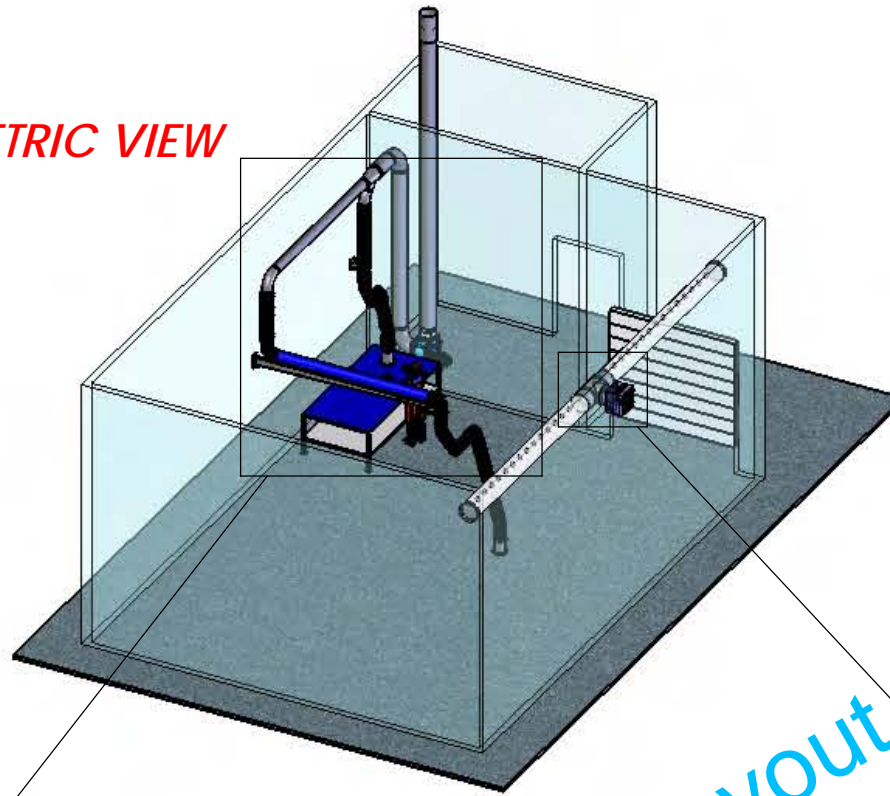
FAN



Please accept this drawing as a sample of what you will receive with your order

lev-co	THE LOCAL EXHAUST & VENTILATION COMPANY		PRAXAIR S.T.A.C.A. Layout drawing
	www.LEV-CO.com Sales@LEV-CO.com North America: Phone: 888.862.5356, Fax: 866.840.9923		
Drawn by:	Dan Novemanu	Date:	05/05/2007
Scale:	NTS	Weight:	N/A
The device depicted and described herein embodies proprietary information owned by the manufacturer. All design, manufacturing, reproduction, sales and patent rights regarding this device or drawing reserved except where explicit right is guaranteed in writing. We reserve the right to make design changes.		Drawing No.:	File Name:
		Material:	Sheet: 2/5

ISOMETRIC VIEW

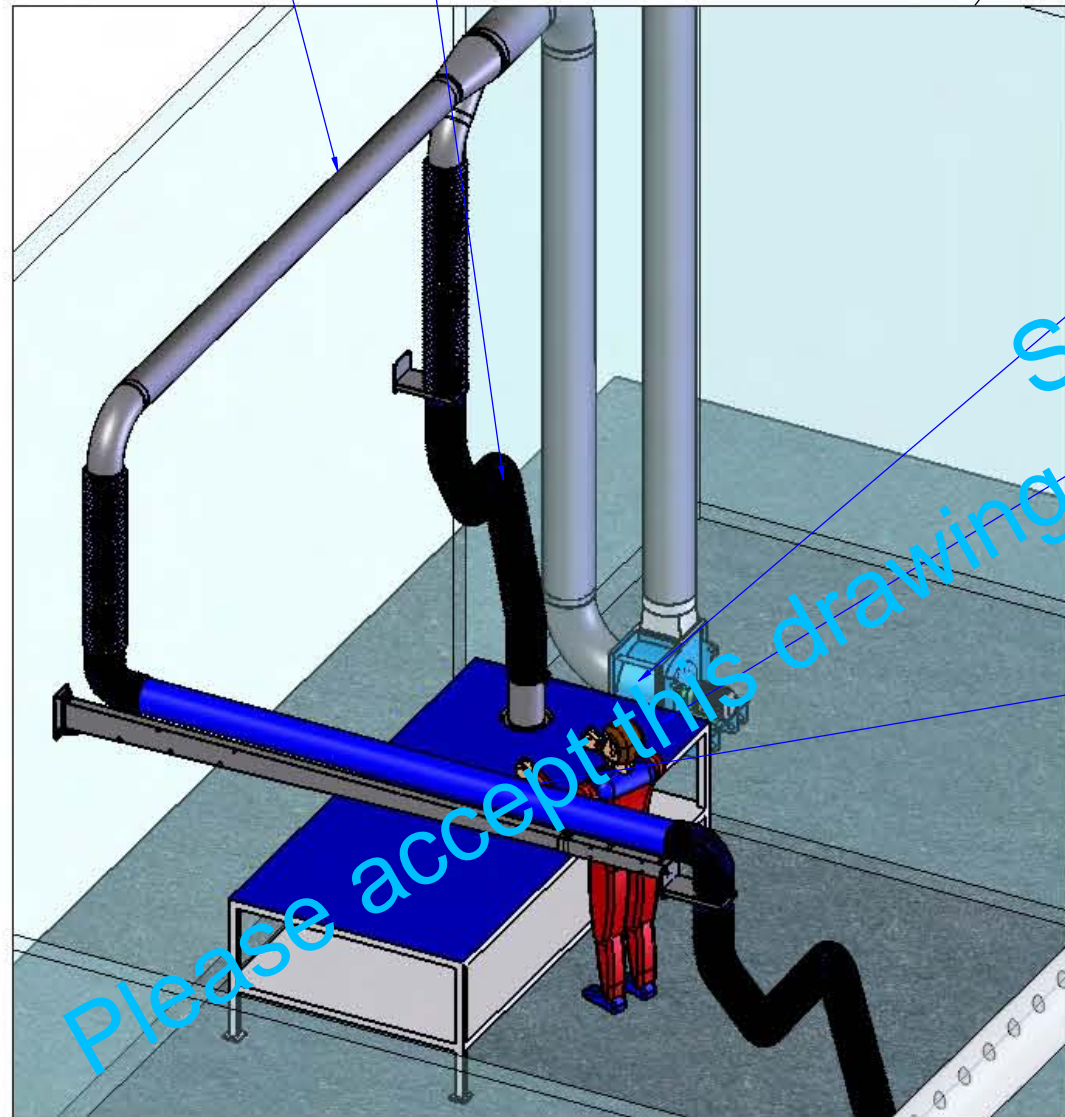


DETAIL VIEW

13.5' FLEXI-II EXTRACTION ARM
8" DIAMETER

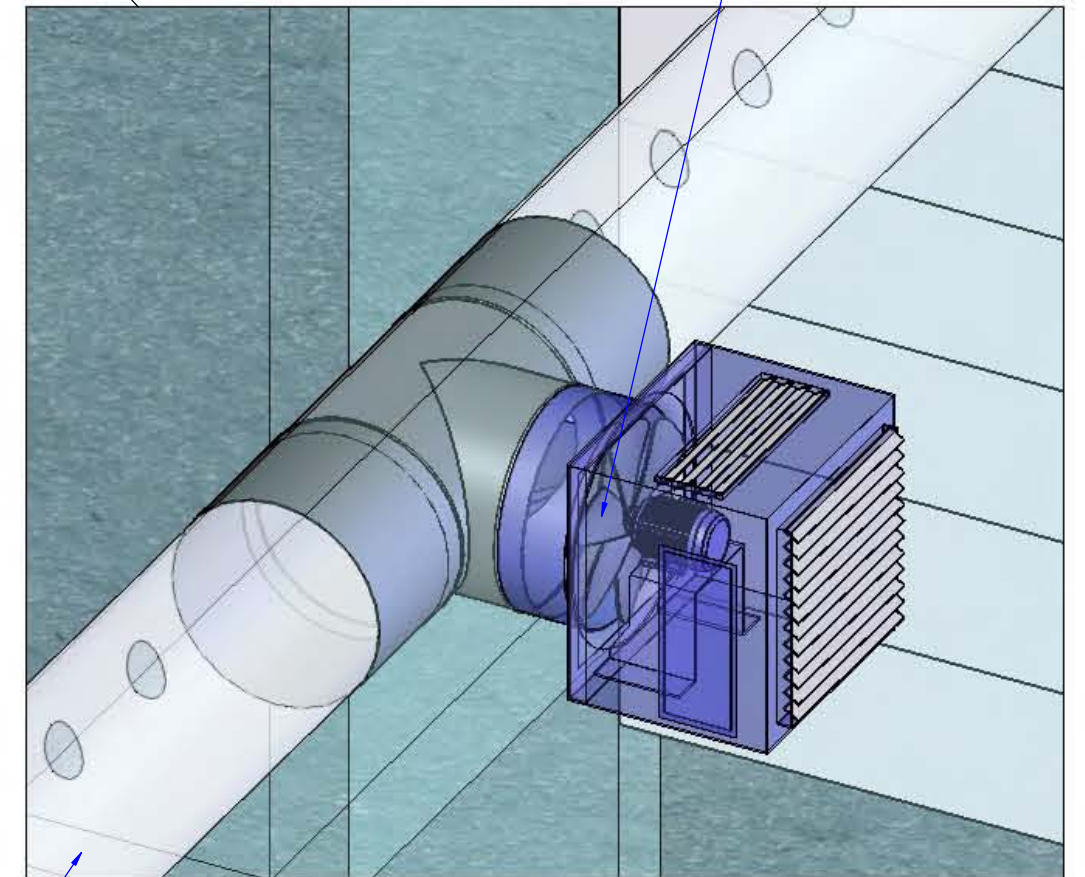
ARM "B"

DUCTWORK



DETAIL VIEW
MAKE-UP AIR UNIT

WALL MOUNTED FAN



FAN

NEW PROPOSED
WELDING TABLE

17' FLEXI-2 EXTRACTION ARM
ON 13' H-MAX BOOM
8" DIAMETER

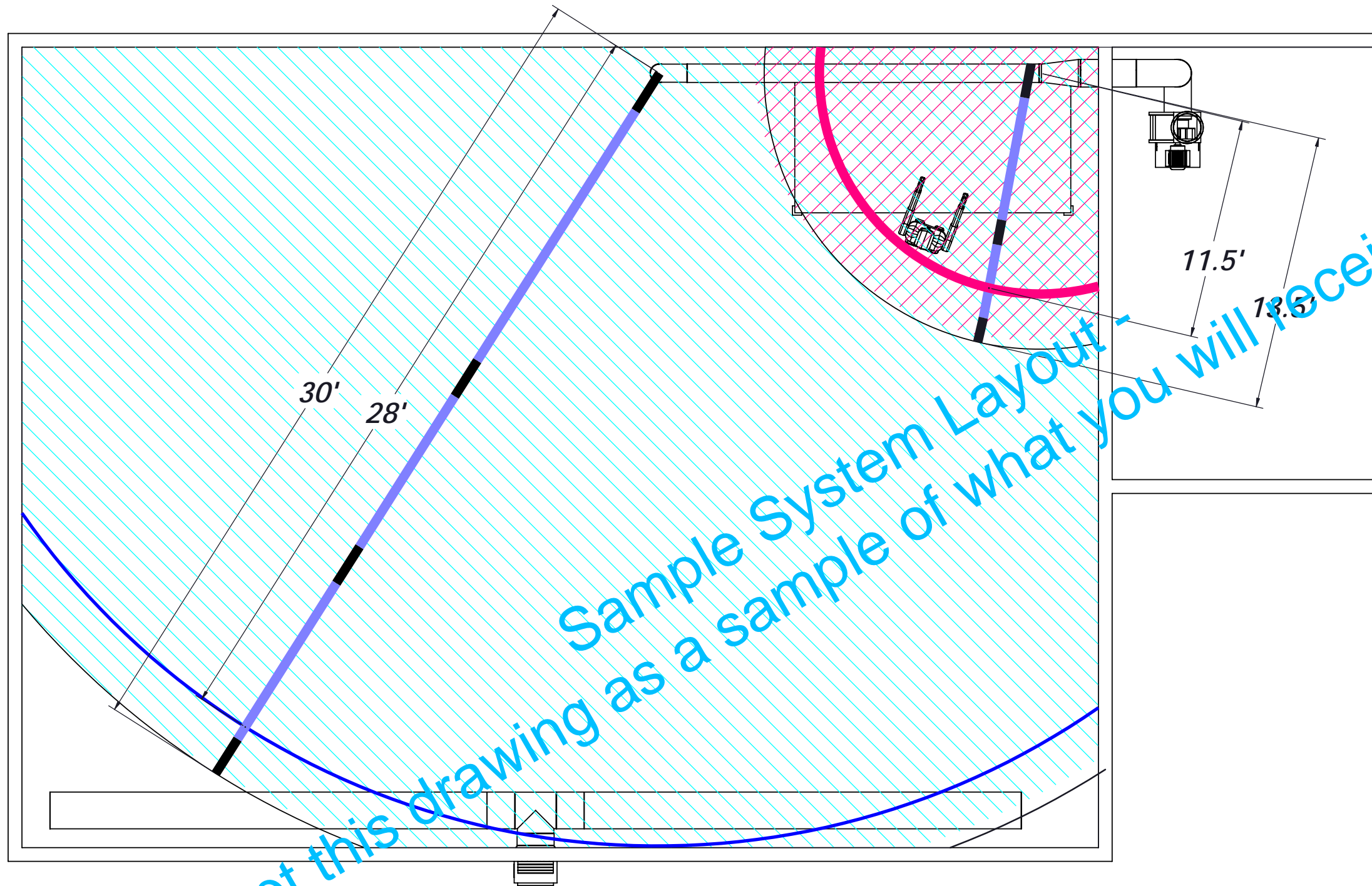
ARM "A"

FABRIC DUCT

Sample System Layout -
as a sample of what you will receive with your order

Please accept this drawing as a sample of what you will receive with your order

<p>lev-co THE LOCAL EXHAUST & VENTILATION COMPANY www.LEV-CO.com Sales: @LEV-CO.com North America: Phone: 888.862.5356, Fax: 866.840.9923</p>	
<p>Drawn by: Dan Novemanu Date: 05/05/2007 Scale: NTS Weight: N/A</p>	<p>PRAXAIR S.T.A.C.A. Layout drawing</p>
<p>The device depicted and described herein embodies proprietary information owned by the manufacturer. All design, manufacturing, reproduction, sales and patent rights regarding this device or drawing reserved except where explicit right is guaranteed in writing. We reserve the right to make design changes.</p>	<p>Drawing No.: File Name: Material: Sheet: 3/5</p>



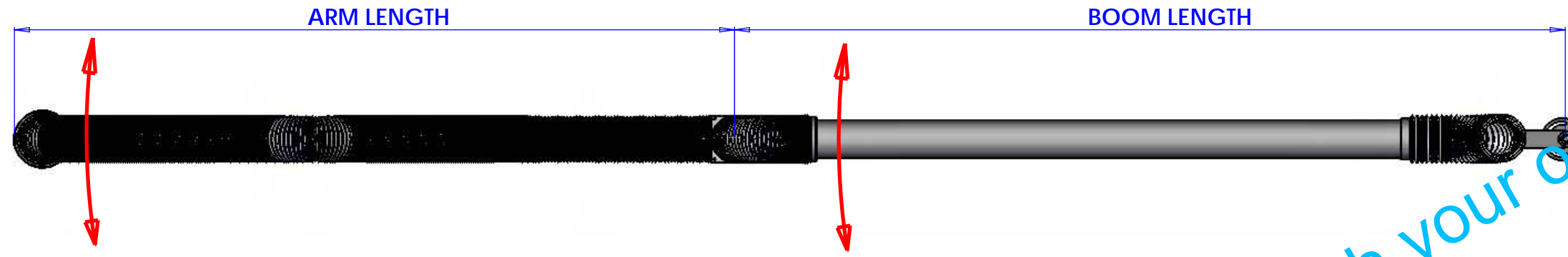
COLOR CODE:

- 17' EXTRACTION ARM + 13' H-MAX BOOM MOUNTED @ 9' ARM "A"
- 10' FLEXI-II EXTRACTION ARM MOUNTED @ 9' ARM "B"

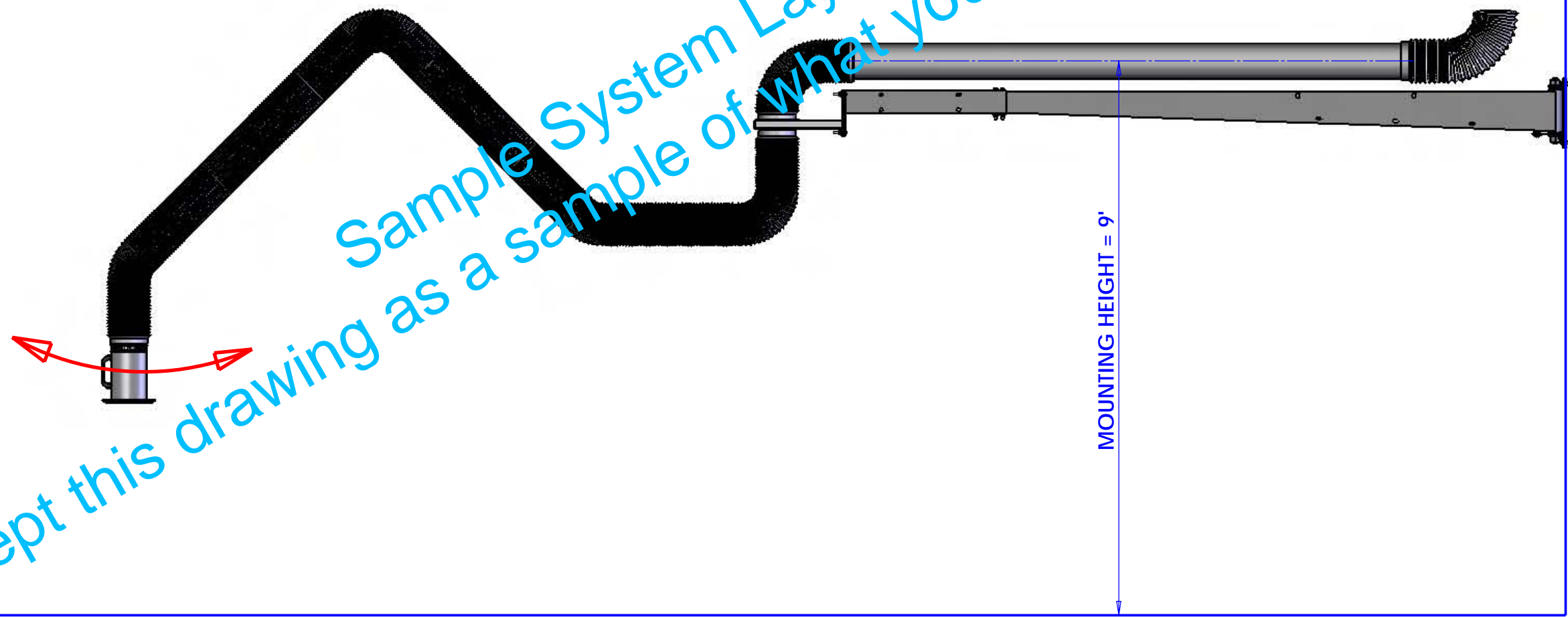
Please accept this drawing as a sample of what you will receive with your order

NOTE:
 - THE BLACK EXTERNAL CONTOUR SHOWS THE MAXIMUM COVERAGE WITH THE EXTRACTION CRANE FULLY EXTENDED
 - THE COLORED INTERNAL CONTOUR SHOWS THE MAXIMUM COVERAGE WITH THE EXTRACTION ARM AT LOWER WORKING HEIGHT, WHICH ARE:
 - 3 FT FOR ARMS MOUNTED @ 9 FT HEIGHT

lev-co	THE LOCAL EXHAUST & VENTILATION COMPANY www.LEV-CO.com Sales @LEV-CO.com North America: Phone: 888.862.5356, Fax: 866.840.9923	
	Drawn by: Dan Noveanu Date: 05/05/2007 Scale: NTS Weight: N/A	PRAXAIR S.T.A.C.A. Layout drawing Drawing No.: File Name: Material:
<small>The device depicted and described herein embodies proprietary information owned by the manufacturer. All design, manufacturing, reproduction, sales and patent rights regarding this device or drawing reserved except where explicit right is guaranteed in writing. We reserve the right to make design changes.</small>		Sheet: 4/5



ARM #	BOOM LENGTH	ARM'S LENGTH	MOUNTING HEIGHT
1	13'	17'	9'
2	0'	13.5'	9'



Sample System Layout -
Please accept this drawing as a sample of what you will receive with your order

	THE LOCAL EXHAUST & VENTILATION COMPANY www.LEV-CO.com Sales@LEV-CO.com North America: Phone: 888.862.5356, Fax: 866.840.9923	
	Drawn by: Dan Noveanu Date: 05/05/2007 Scale: NTS Weight: N/A	PRAXAIR S.T.A.C.A. Layout Drawing
<small>The device depicted and described herein embodies proprietary information owned by the manufacturer. All design, manufacturing, reproduction, sales and patent rights regarding this device or drawing reserved except where explicit right is guaranteed in writing. We reserve the right to make design changes.</small>	Drawing No.: Material:	File Name: Sheet: 5/5