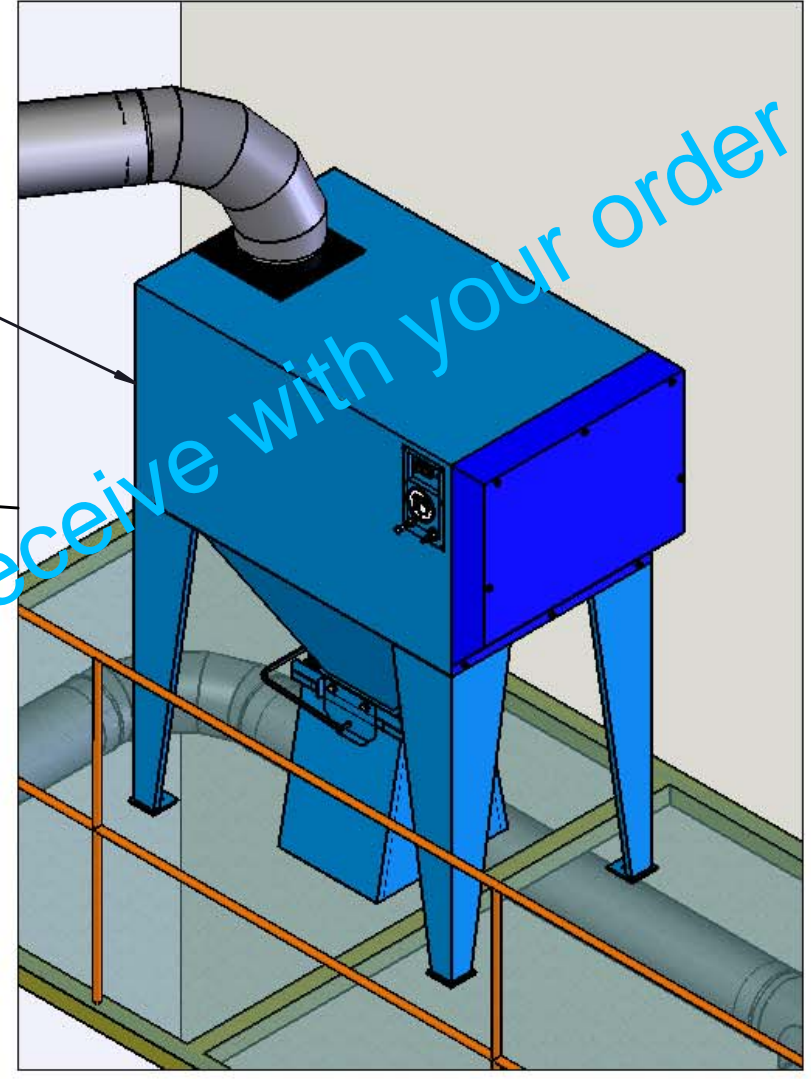
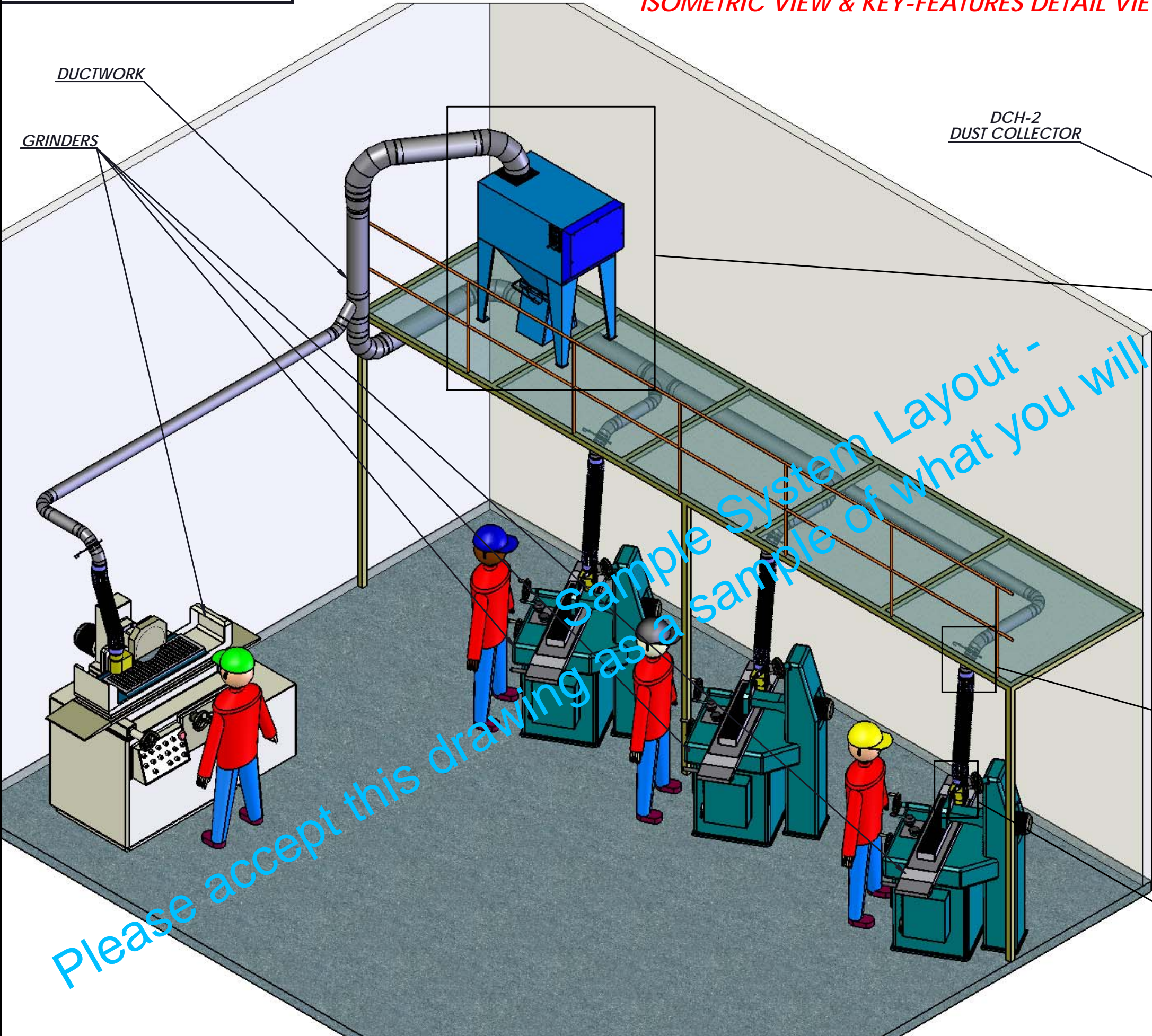
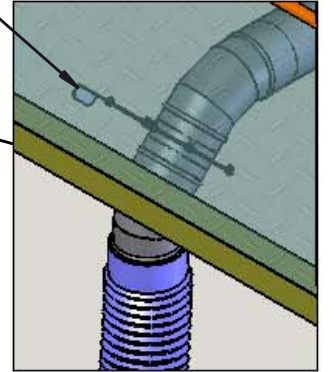


ISOMETRIC VIEW & KEY-FEATURES DETAIL VIEW

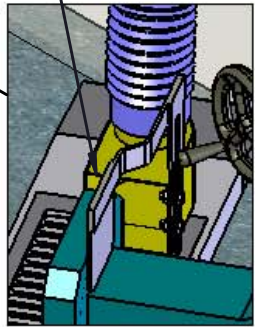


DCH-2
DUST COLLECTOR

BLAST GATE



LOCAL HOOD
WITH BRACKET

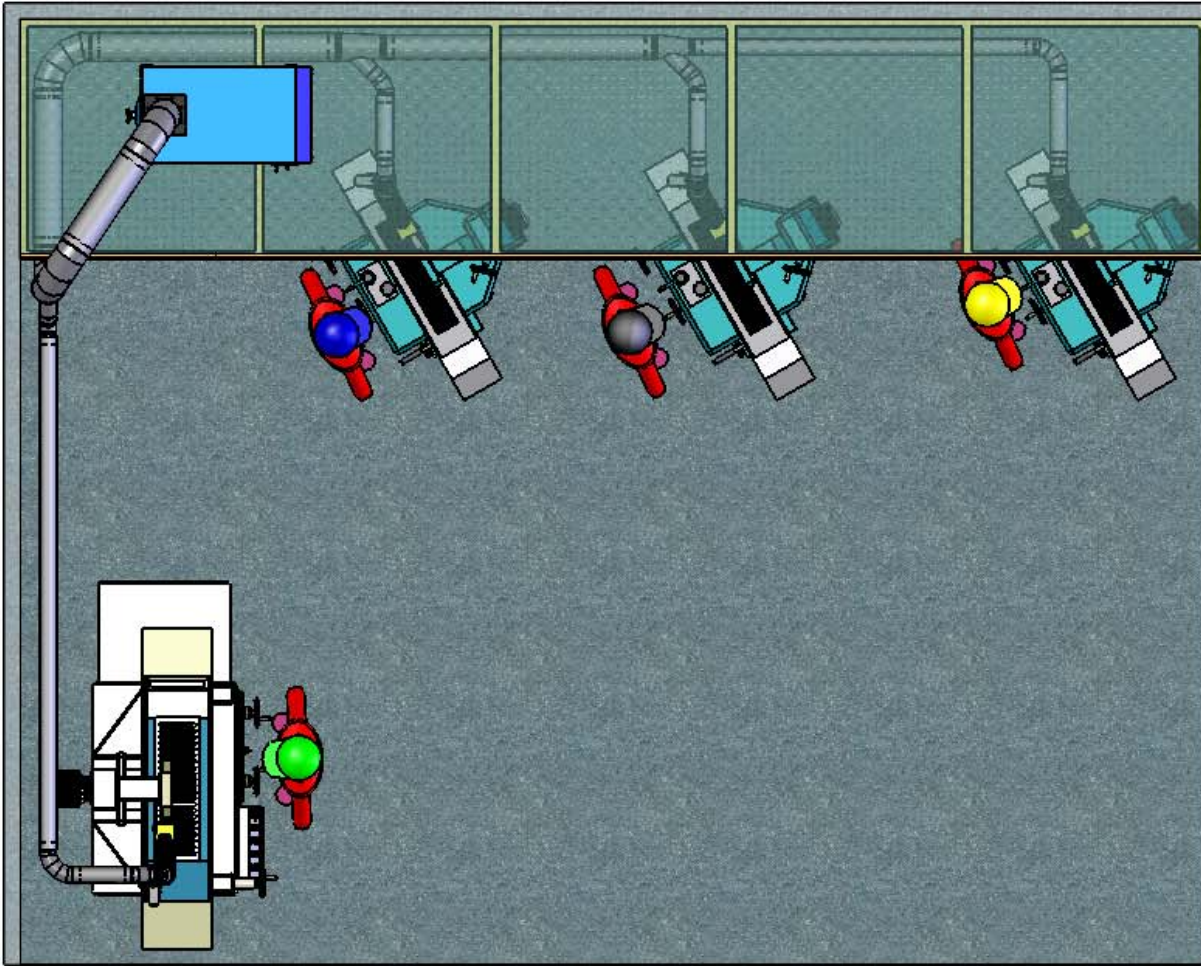


| | | |
|--|---|--|
| THE LOCAL EXHAUST & VENTILATION COMPANY lev-co www.LEV-CO.com Sales @LEV-CO.com North America: Phone: 888.862.5356, Fax: 9668409923 | | NORMARK MANUFACTURING MACHINING AREA Layout Drawing |
| Drawn by: Janos Balazs Date: 04/20/2006 Scale: NTS Weight: N/A | Drawing No.: File Name: Material: | Sheet: 1/2 |

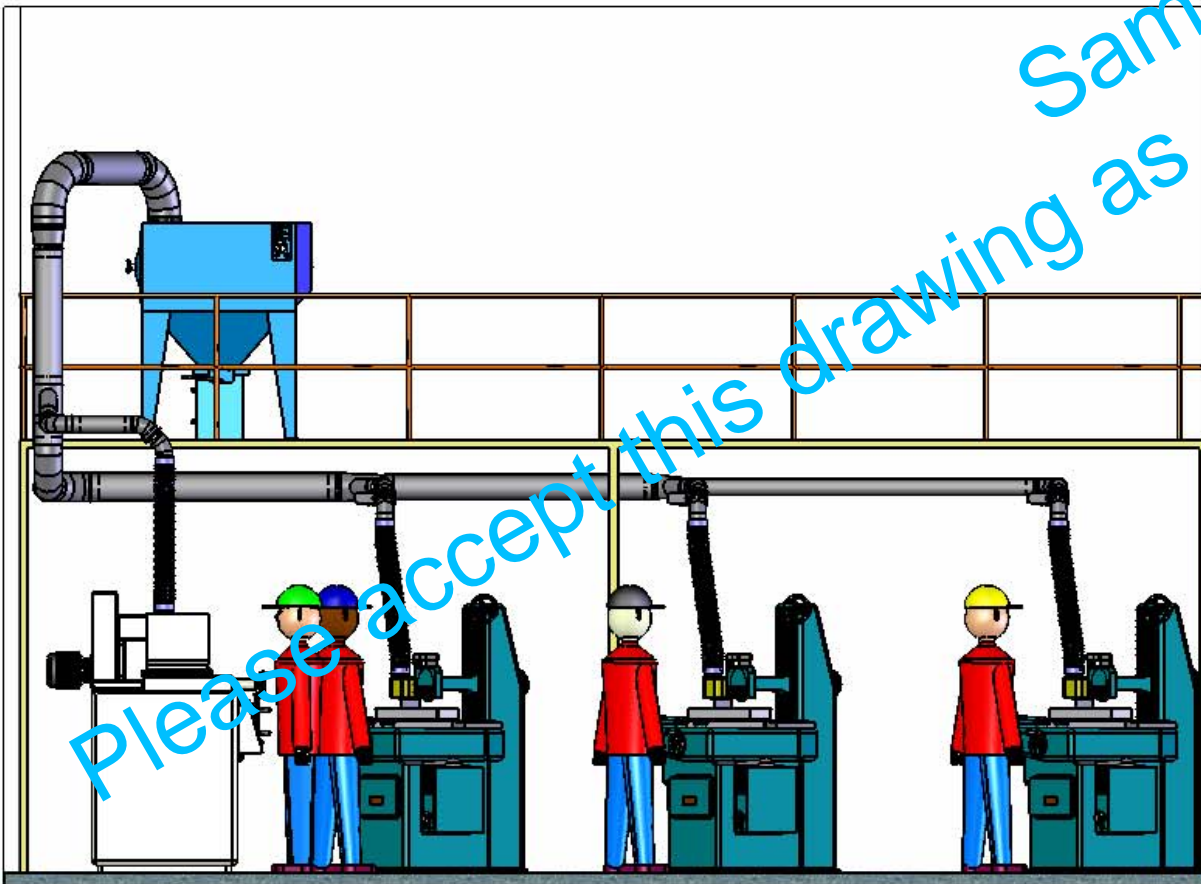
Please accept this drawing as a sample of what you will receive with your order

Original Drawing: 04-20-2006

TOP VIEW

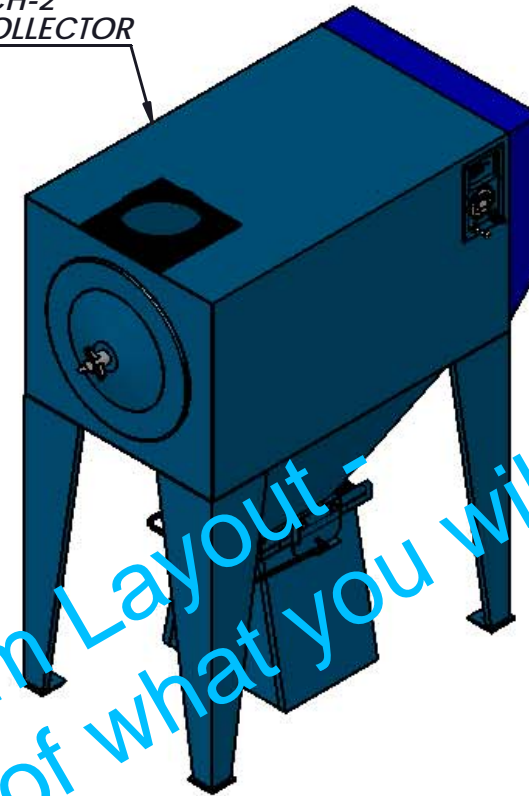


SIDE VIEW



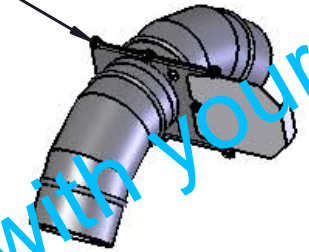
KEY-FEATURES

DCH-2
DUST COLLECTOR

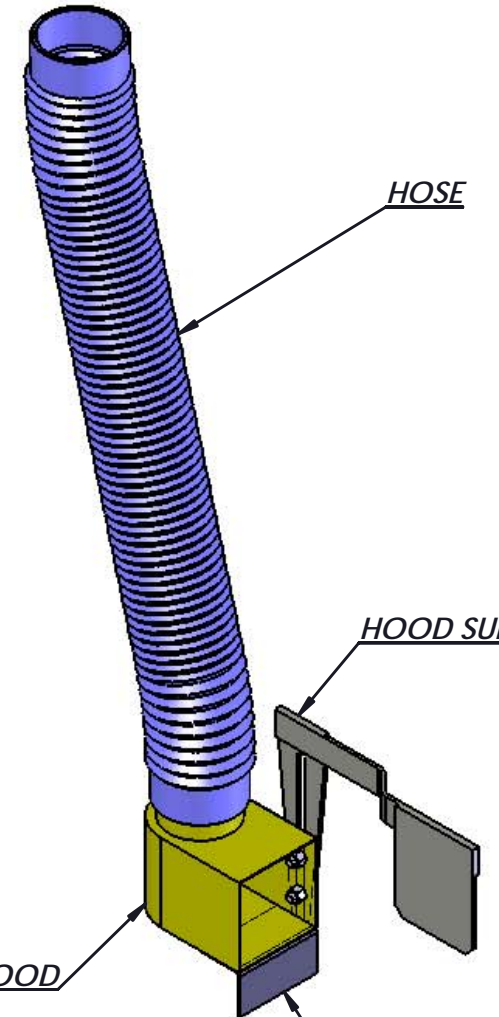


END VIEW

BLAST GATE



HOSE



HOOD SUPPORT

HOOD

RUBBER STRIP

| | | | |
|--|--|--------------|---|
| lev-co | THE LOCAL EXHAUST & VENTILATION COMPANY | | NORMARK MANUFACTURING MACHING AREA Layout Drawing |
| | www.LEV-CO.com Sales @LEV-CO.com North America: Phone: 888.862.5356, Fax: 9668409923 | | |
| Drawn by: | Janos Balazs | Scale: | NTS |
| Date: | 04/20/2006 | Weight: | N/A |
| The device depicted and described herein embodies proprietary information owned by the manufacturer. All design, manufacturing, reproduction, sales and patent rights regarding this device or drawing reserved except where explicit right is guaranteed in writing. We reserve the right to make design changes. | | Drawing No.: | File Name: |
| | | Material: | Sheet: 1/2 |