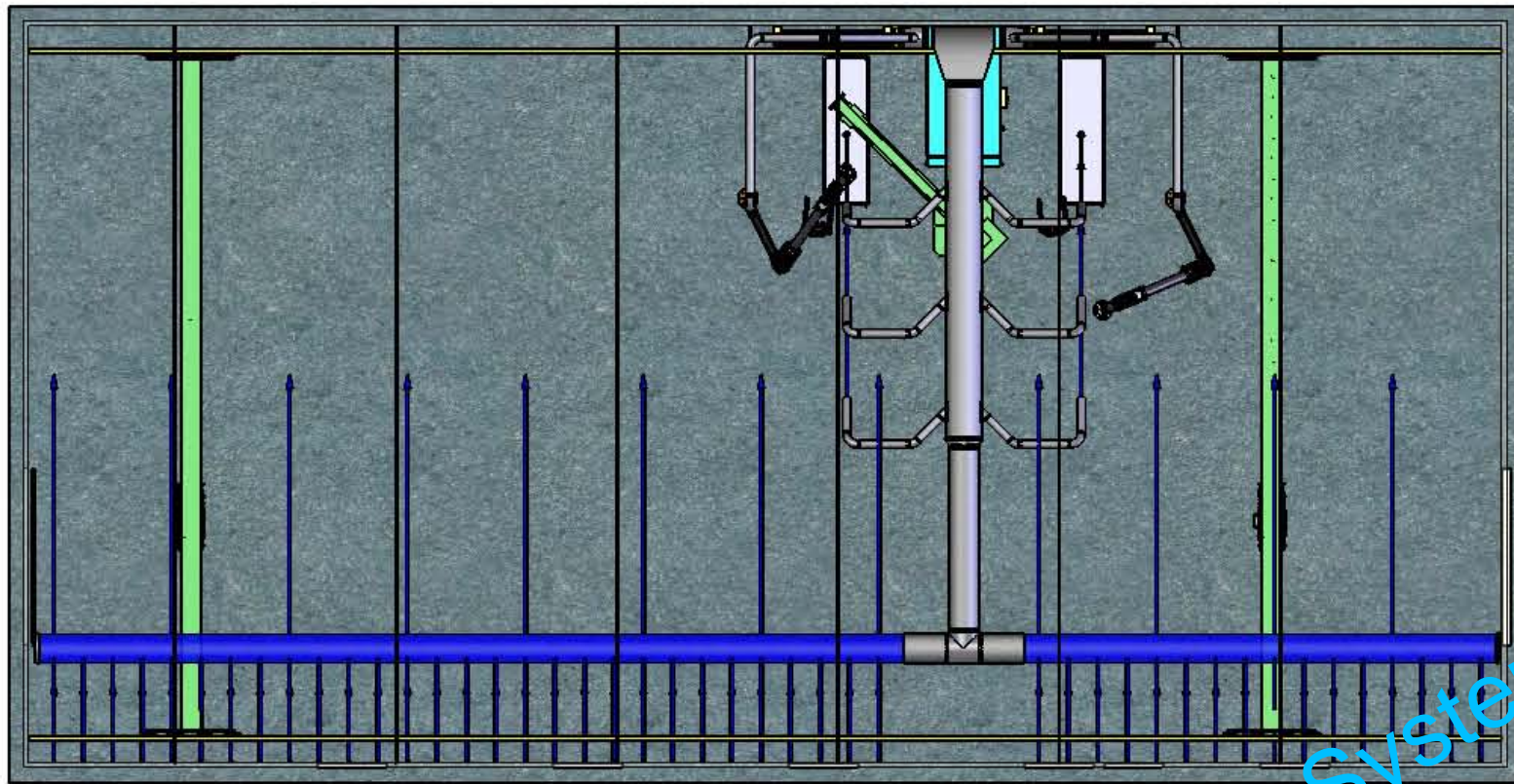
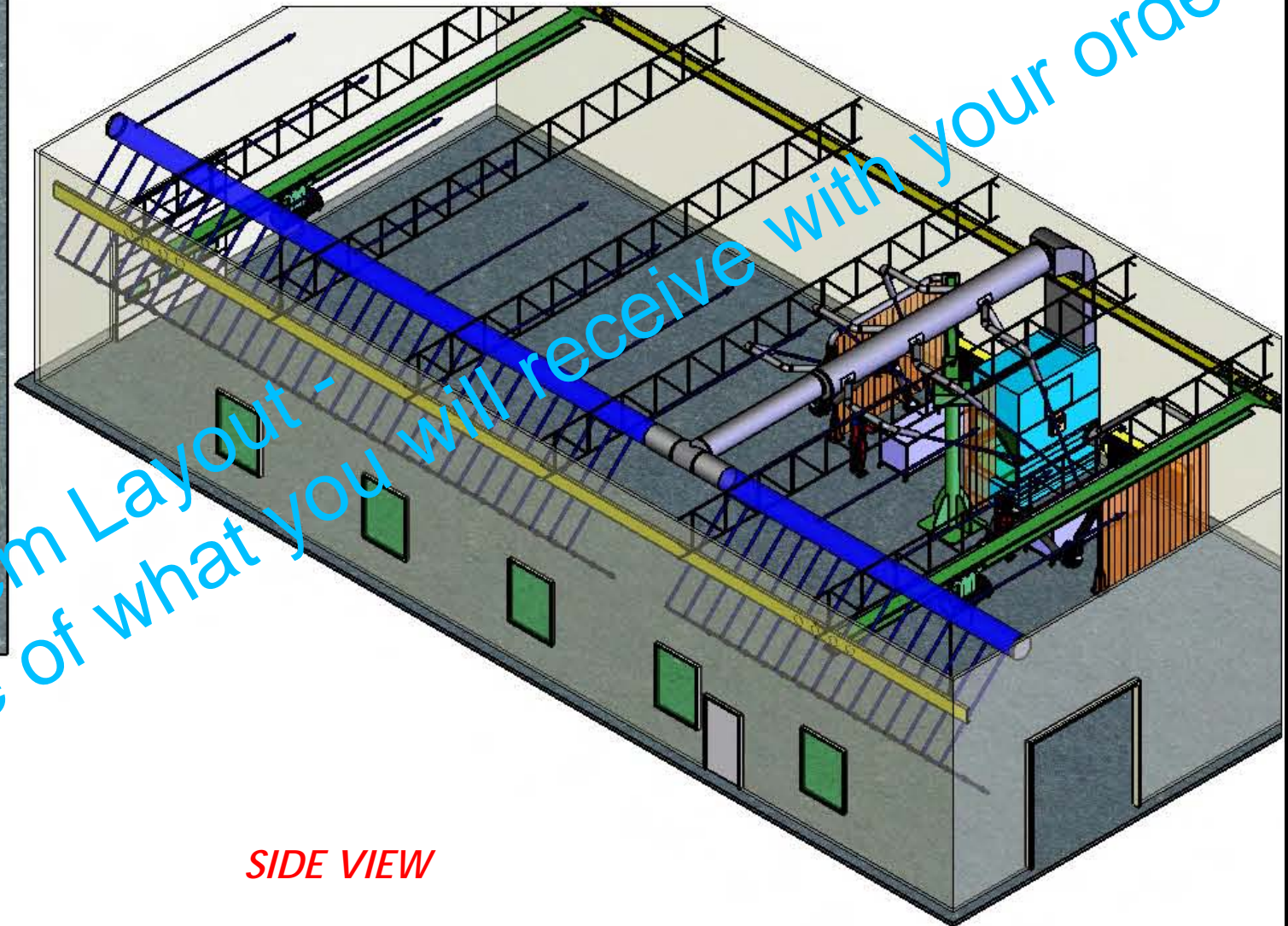


TOP VIEW



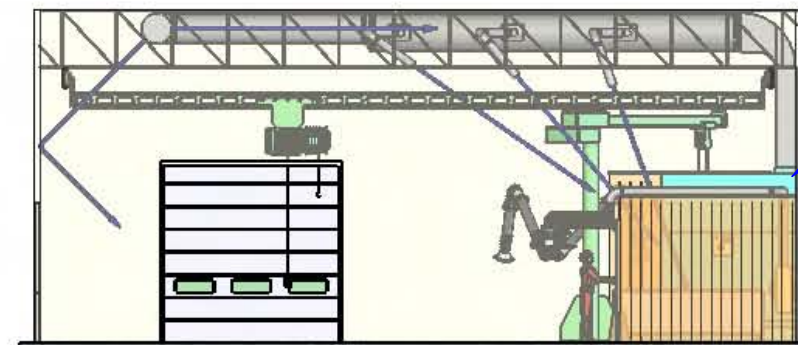
TRIMETRIC VIEW



FRONT VIEW






SIDE VIEW



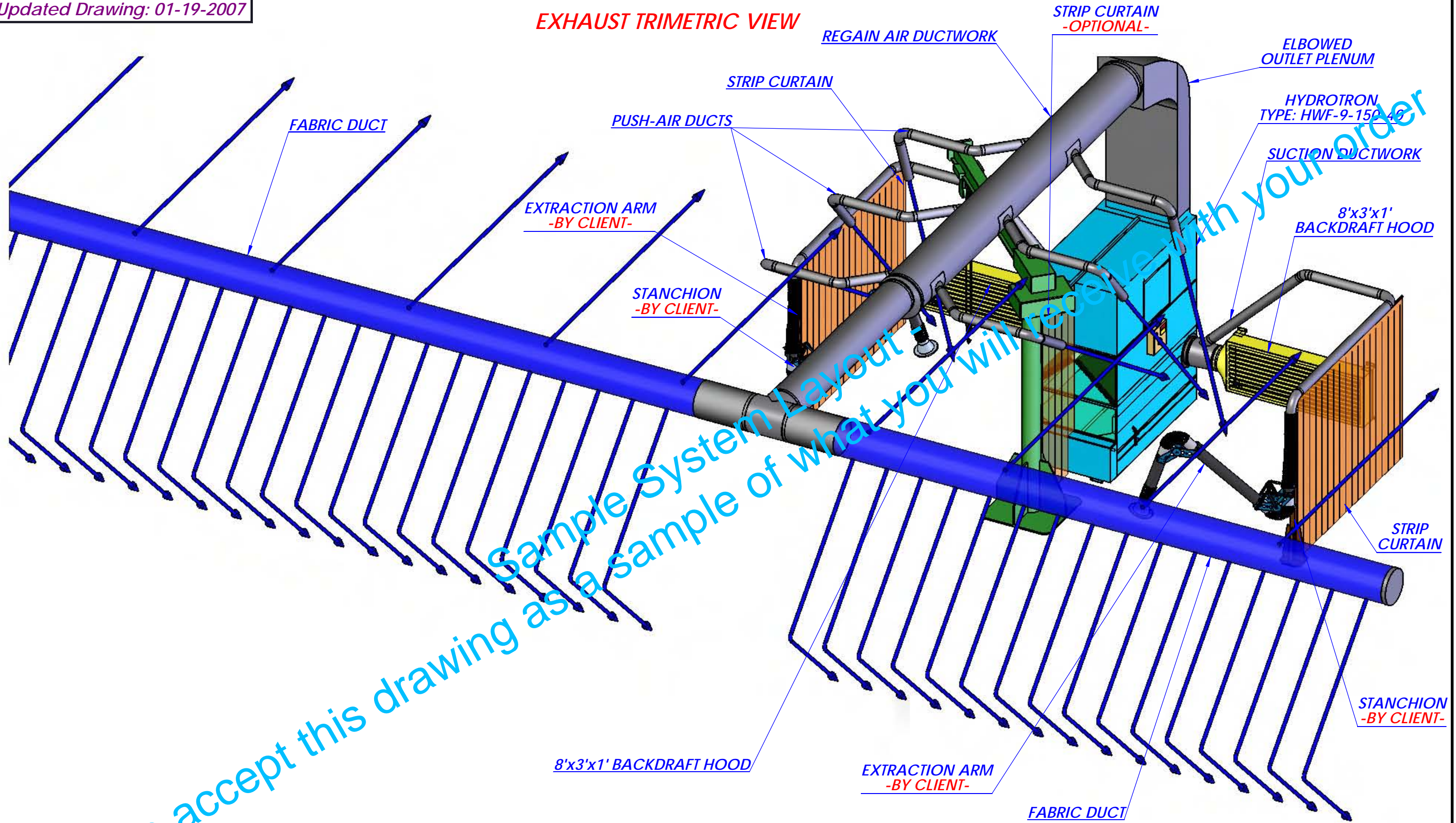
HYDROTRON
TYPE: HWF-9-150-40

Please accept this drawing as a sample of what you will receive with your order

 THE LOCAL EXHAUST & VENTILATION COMPANY www.LEV-CO.com Sales @LEV-CO.com North America: Phone: 888.862.5356, Fax: 9668409923		WIEMAX GRANITE MACHINING SHOP Layout Drawing	
Drawn by: Janos Balazs Date: 01/09/2007 Scale: NTS Weight: N/A	The device depicted and described herein embodies proprietary information owned by the manufacturer. All design, manufacturing, reproduction, sales and patent rights regarding this device or drawing reserved except where explicit right is guaranteed in writing. We reserve the right to make design changes.		
 	Drawing No.: _____ Material: _____	File Name: _____ Sheet: 1/4	

Updated Drawing: 01-19-2007

EXHAUST TRIMETRIC VIEW



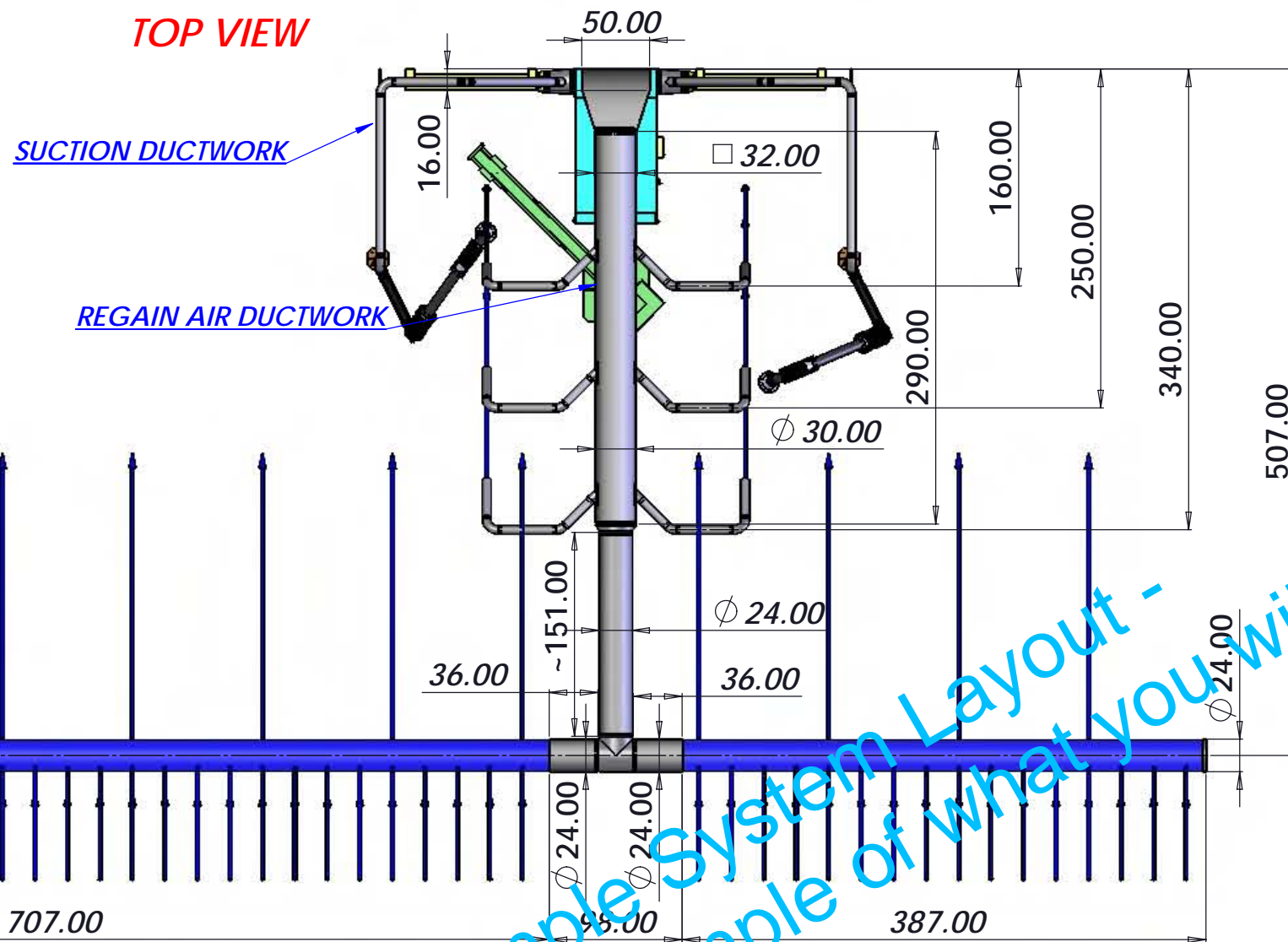
Sample System Layout - with your order

Please accept this drawing as a sample of what you will receive

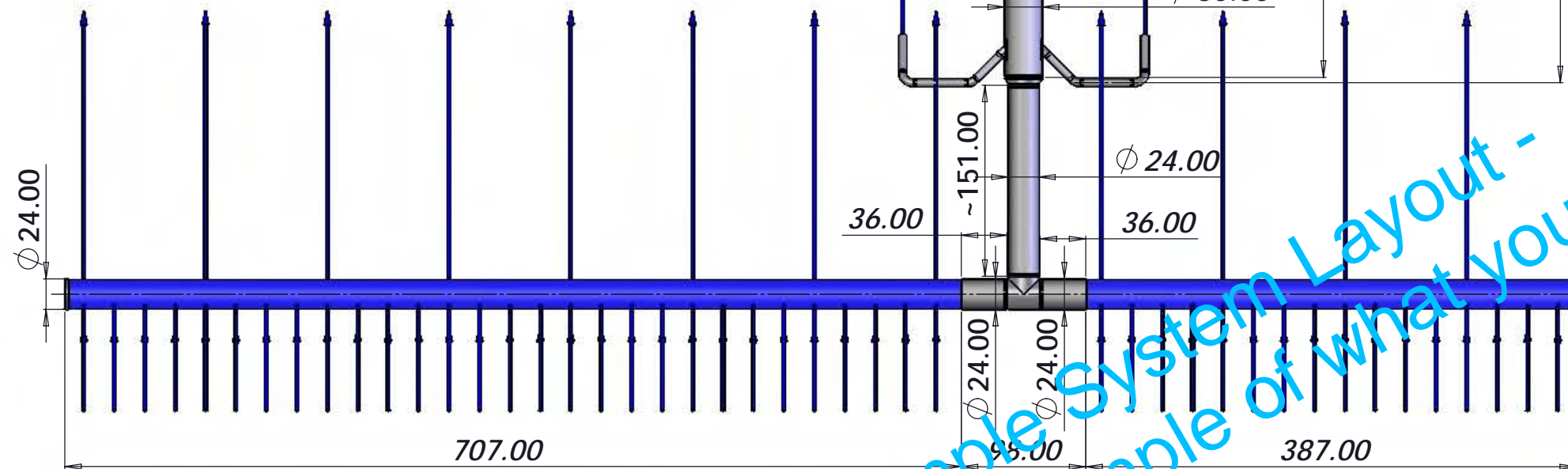
lev-co	THE LOCAL EXHAUST & VENTILATION COMPANY	
	www.LEV-CO.com Sales@LEV-CO.com North America: Phone: 888.862.5356, Fax: 866.840.9923	
Drawn by: Date: Scale: Weight:	Janos Balazs 01/09/2007 NTS N/A	WIEMAX GRANITE MACHINING SHOP Layout Drawing
The device depicted and described herein embodies proprietary information owned by the manufacturer. All design, manufacturing, reproduction, sales and patent rights regarding this device or drawing reserved except where explicit right is guaranteed in writing. We reserve the right to make design changes.	Drawing No.: Material:	File Name: Sheet: 2/4

Updated Drawing: 01-19-2007

TOP VIEW



EXHAUST STANDARD 3 VIEWS

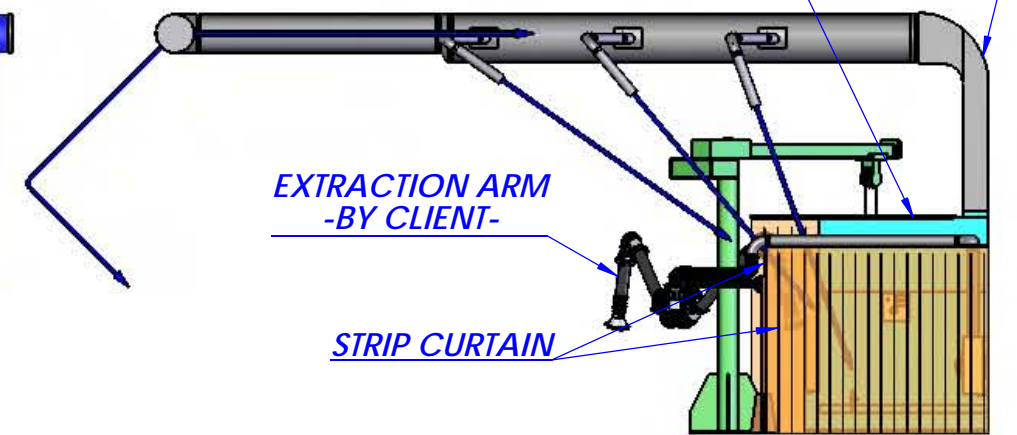


FRONT VIEW

HYDROTRON
TYPE: HWF-9-150-40

ELBOWED
OUTLET PLENUM

SIDE VIEW



STANCHION
-BY CLIENT-

STANCHION
-BY CLIENT-

6'x3'x1'
BACKDRAFT HOOD

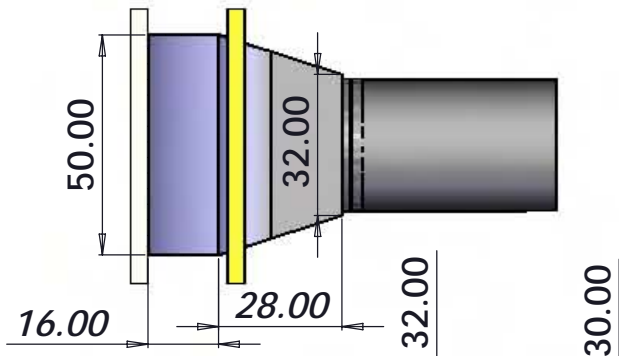
6'x3'x1'
BACKDRAFT HOOD

Please accept this drawing as a sample of what you will receive with your order

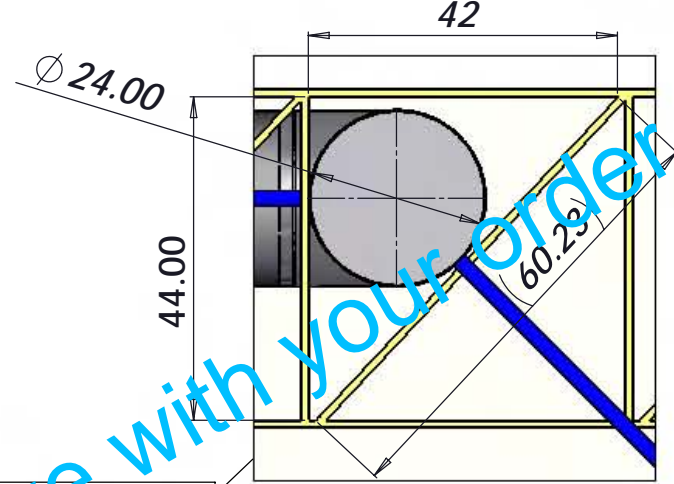
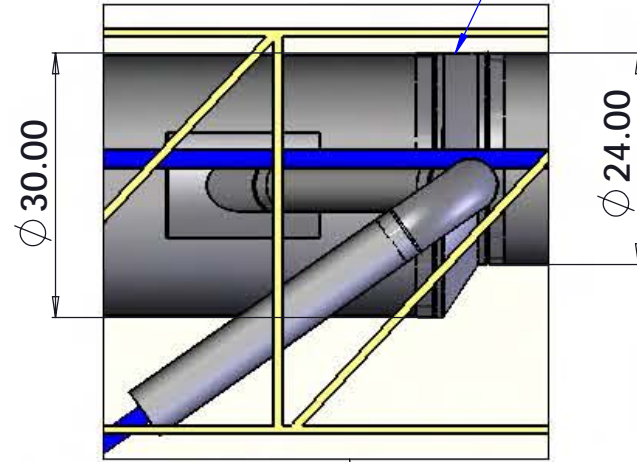
THE LOCAL EXHAUST & VENTILATION COMPANY lev-co www.LEV-CO.com Sales@LEV-CO.com North America: Phone: 888.862.5356, Fax: 866.840.9923		WIEMAX GRANITE MACHINING SHOP Layout Drawing
Drawn by: Janos Balazs Date: 01/09/2007 Scale: NTS Weight: N/A	Drawing No.: _____ File Name: _____ Material: _____ Sheet: 3/4	
<small>The device depicted and described herein embodies proprietary information owned by the manufacturer. All design, manufacturing, reproduction, sales and patent rights regarding this device or drawing reserved except where explicit right is guaranteed in writing. We reserve the right to make design changes.</small>		

Updated Drawing: 01-19-2007

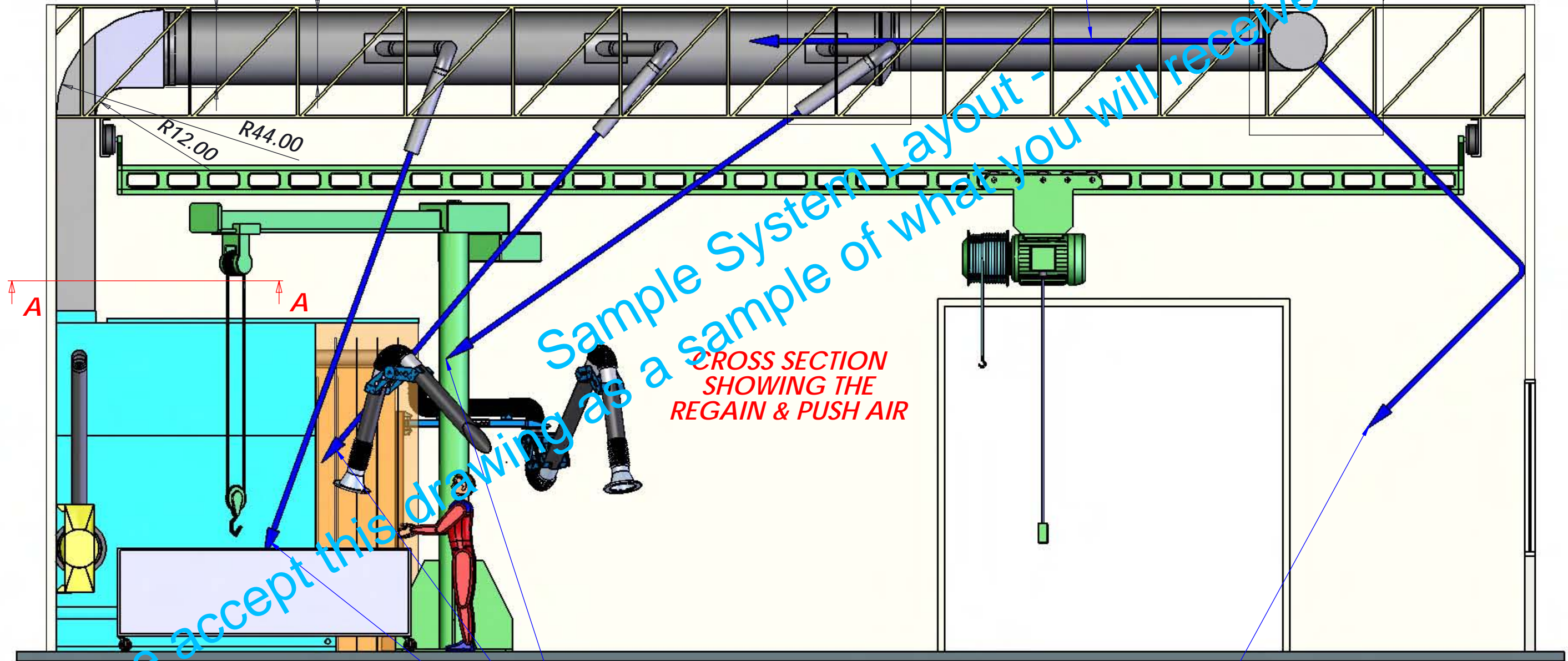
PARTIAL SECTION A-A



Ø30" TO Ø24" ECCENTRIC REDUCER
(TO MAXIMIZE THE BAGDUCT'S DIAMETER WHICH MUST FIT BETWEEN THE TRUSSES)



REGAIN AIR
10% OF TOTAL FLOW



Sample System Layout -
as a sample of what you will receive with your order

Please accept this drawing as a sample of what you will receive with your order

PUSH AIR
20% OF TOTAL FLOW ON EACH SIDE
(TOTAL OF 40%)

REGAIN AIR
50% OF TOTAL FLOW

		THE LOCAL EXHAUST & VENTILATION COMPANY www.LEV-CO.com Sales @LEV-CO.com North America: Phone: 888.862.5356, Fax: 866.840.9923	
Drawn by: Janos Balazs Date: 01/09/2007 Scale: NTS Weight: N/A		GRANITE MACHINING SHOP Layout Drawing	
<small>The device depicted and described herein embodies proprietary information owned by the manufacturer. All design, manufacturing, reproduction, sales and patent rights regarding this device or drawing reserved except where explicit right is guaranteed in writing. We reserve the right to make design changes.</small>		Drawing No.: Material:	File Name: Sheet: 4/4