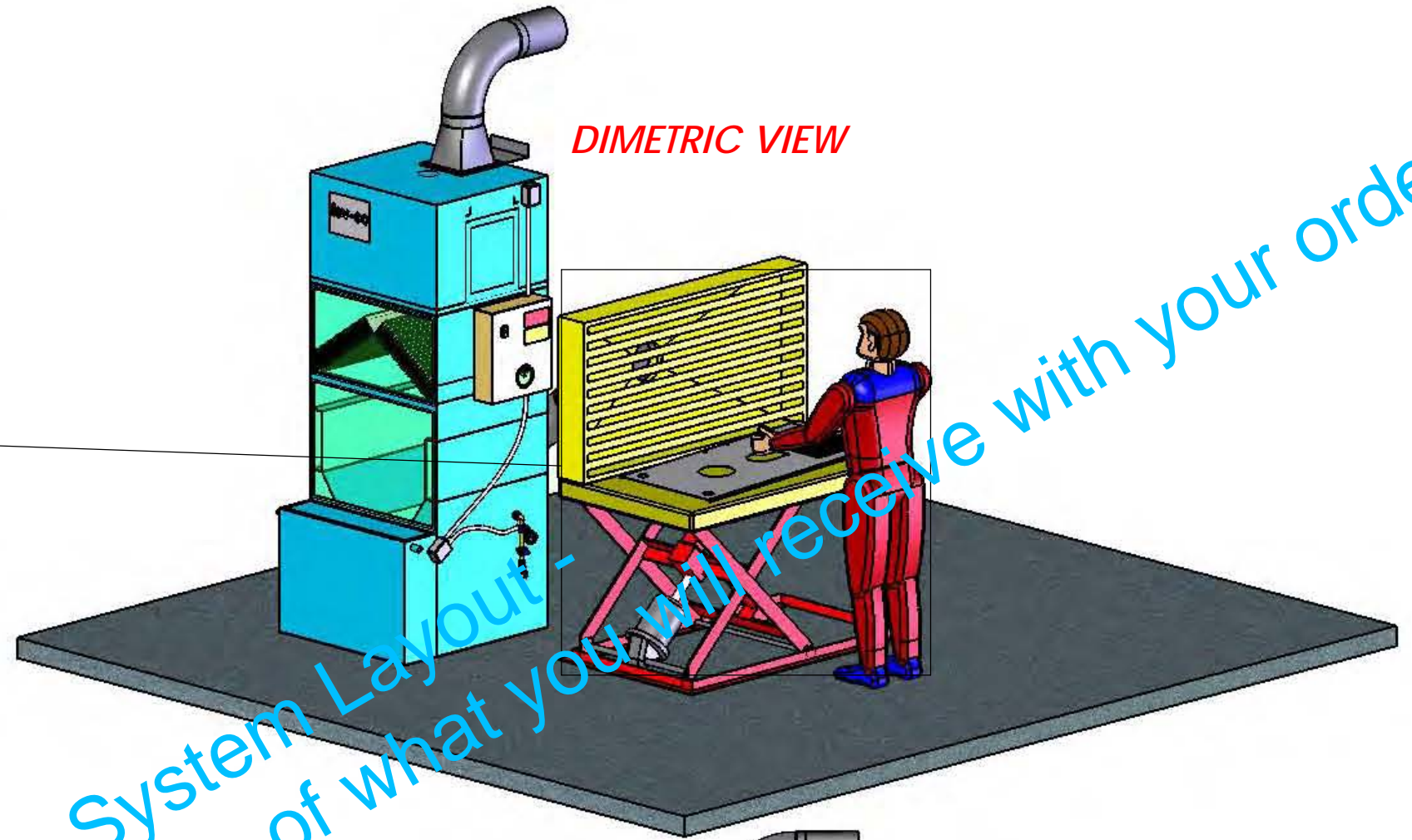


Updated Drawing: 05-24-2007

DETAIL VIEW

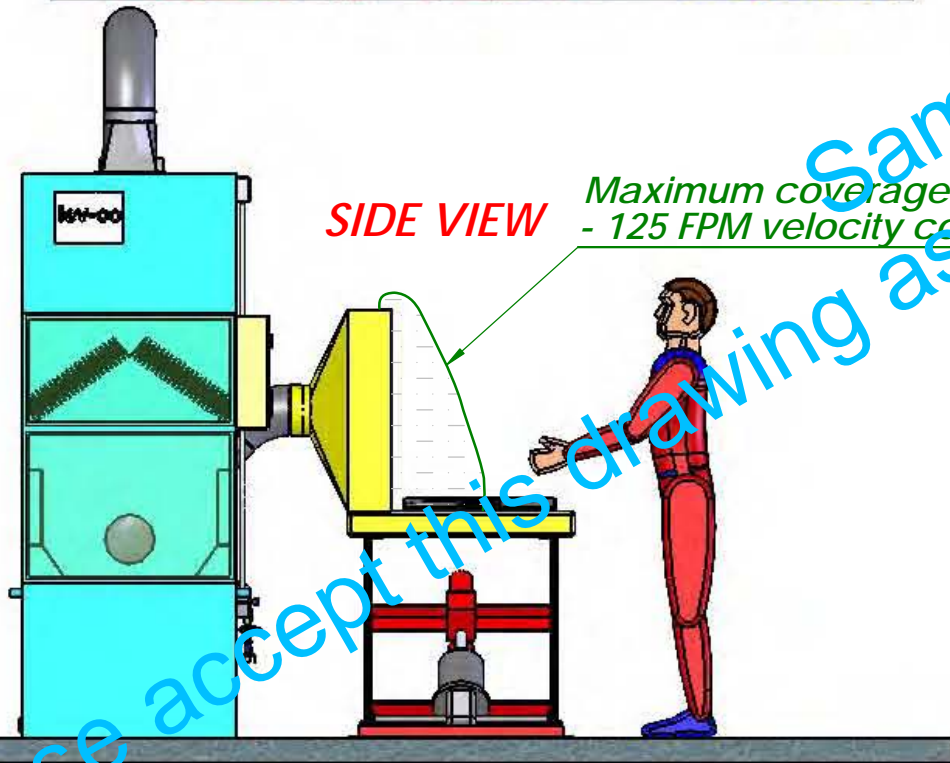


DIMETRIC VIEW

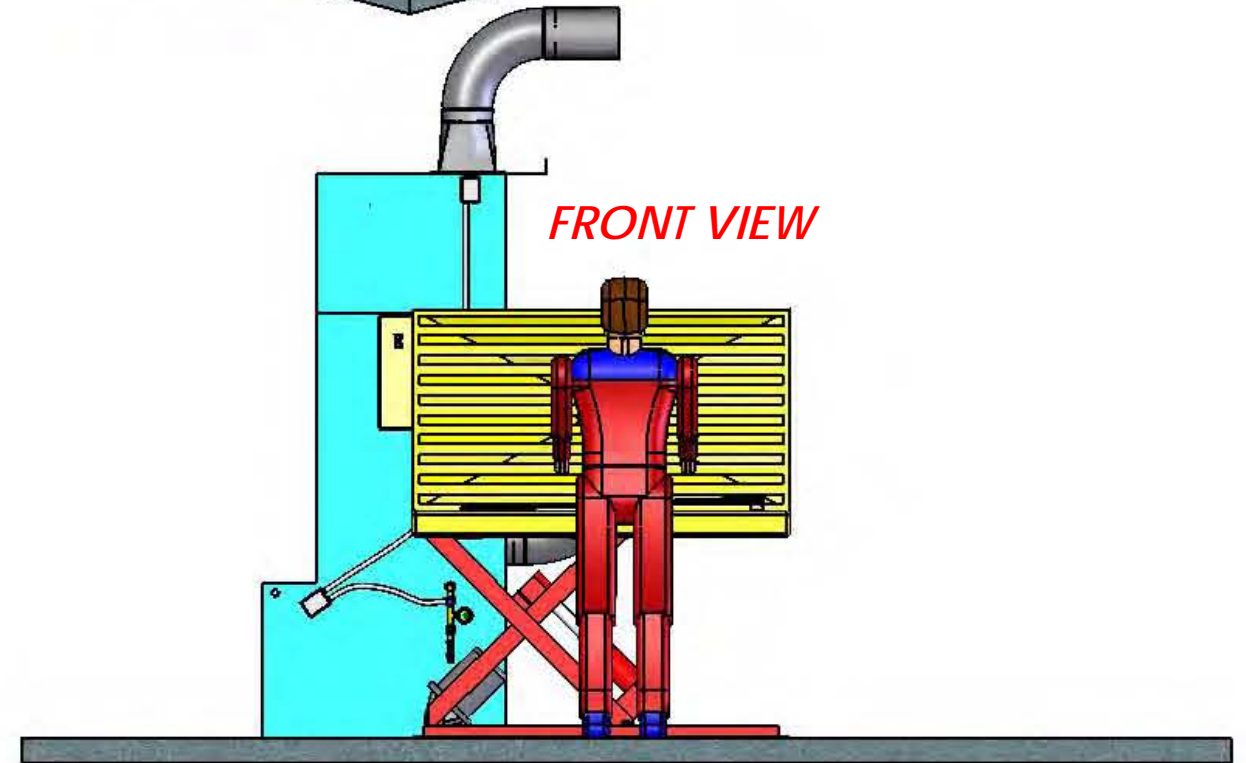


SIDE VIEW

Maximum coverage area
- 125 FPM velocity contour



FRONT VIEW



SOLUTION #4

- PARTS HOLDED BY LIFTING TABLE

- CAPTURE USING A BACKDRAFT HOOD AND HYDROTRON COLLECTOR UNIT FOR ALUMINUM DUST

Sample System Layout - Please accept this drawing as a sample of what you will receive with your order

| | | | |
|---|---|--|------------|
|  | | THE LOCAL EXHAUST & VENTILATION COMPANY www.LEV-CO.com Sales@LEV-CO.com North America: Phone: 888.862.5356, Fax: 866.840.9923 | |
| Drawn by: Date: 05/16/2007 Scale: NTS Weight: N/A | MILQUIP-Capture and filtering solutions for sanding area Layout Drawing | Drawing No.: File Name: | Sheet: 4/6 |