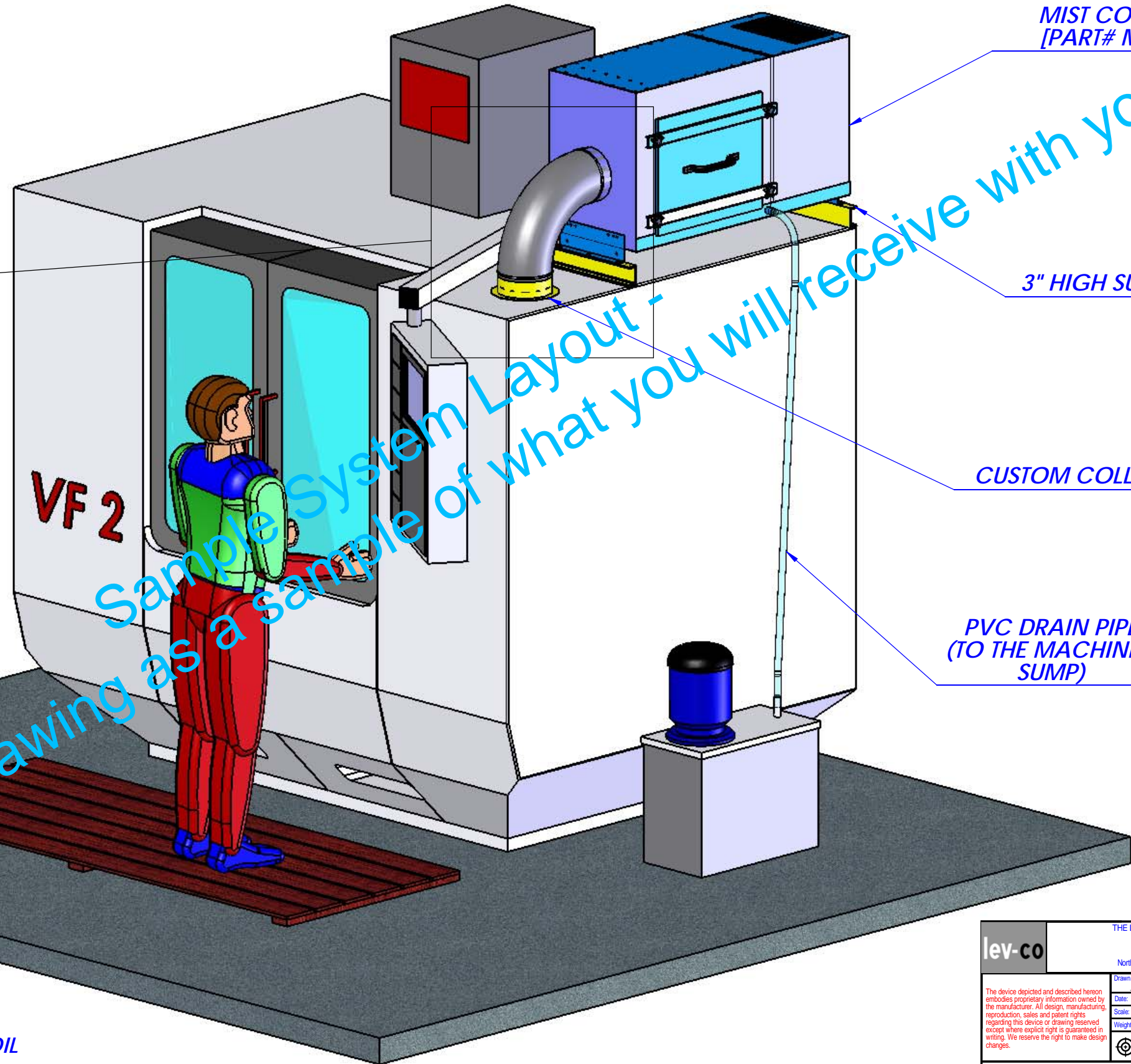
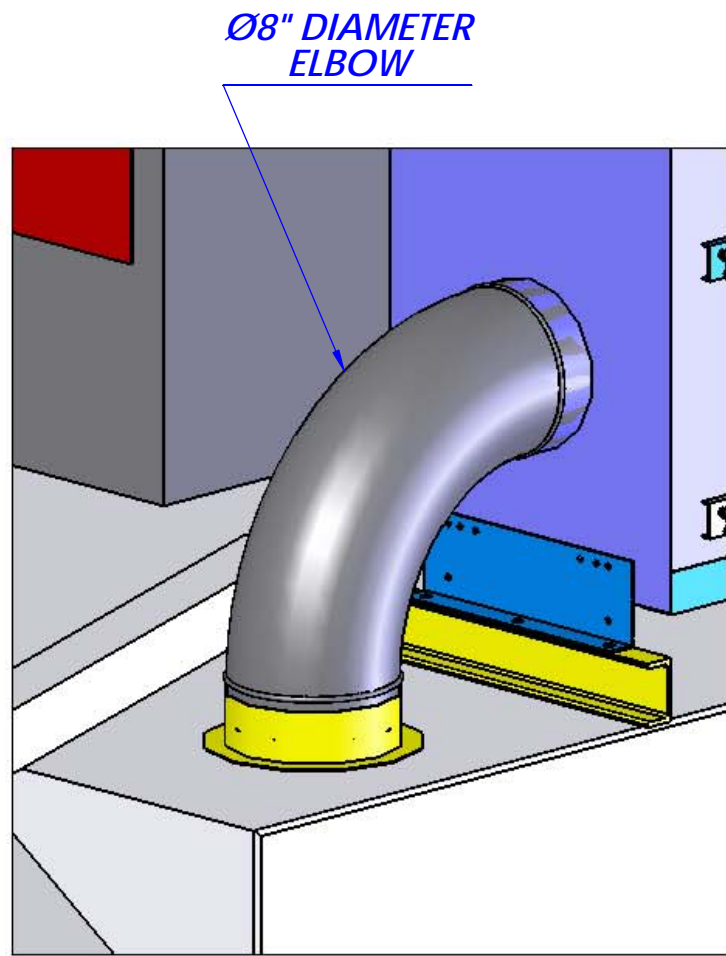


DIMETRIC VIEW



MIST COLLECTOR
[PART# MPH-8-31]

3" HIGH SUPPORTS

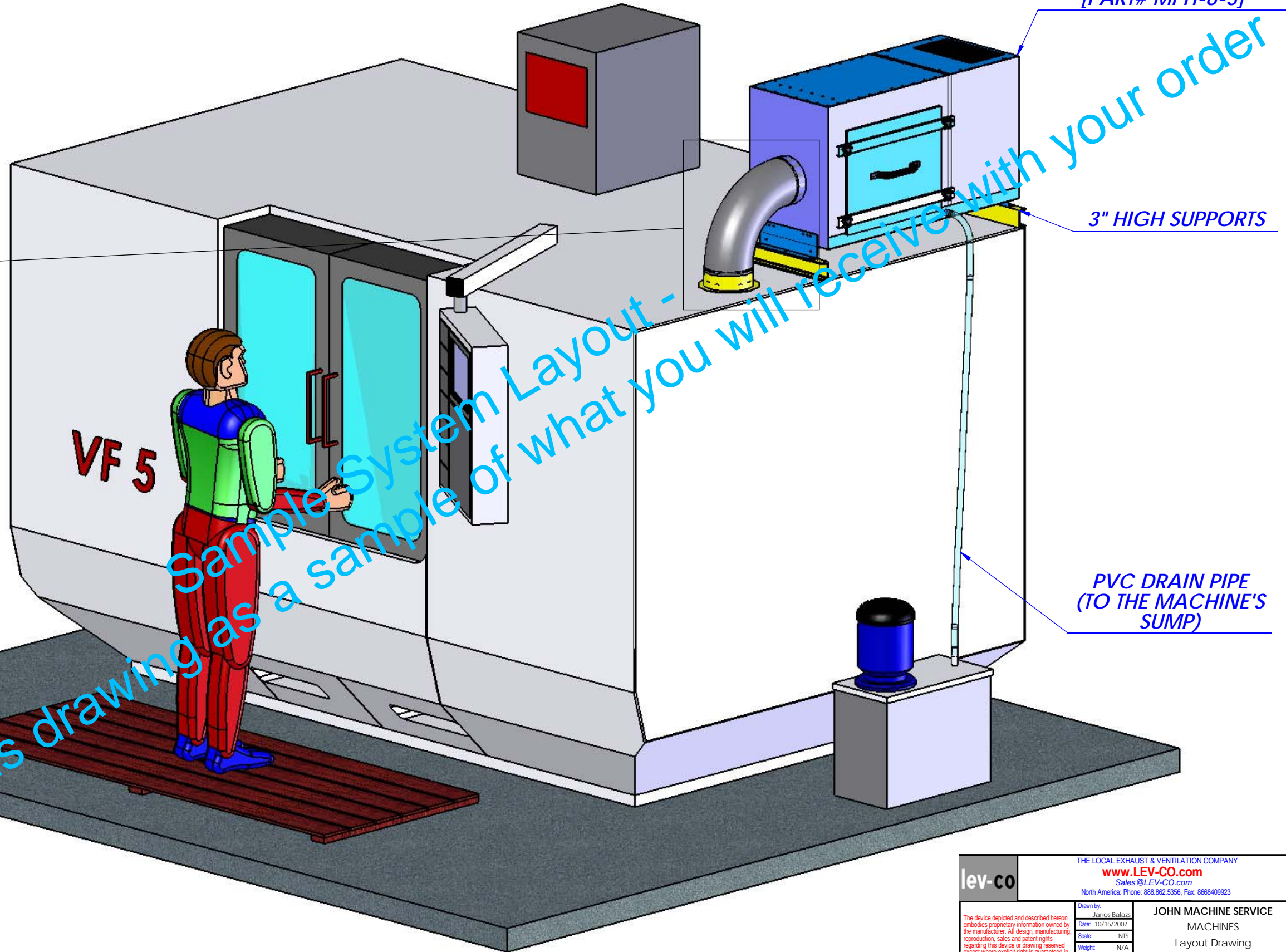
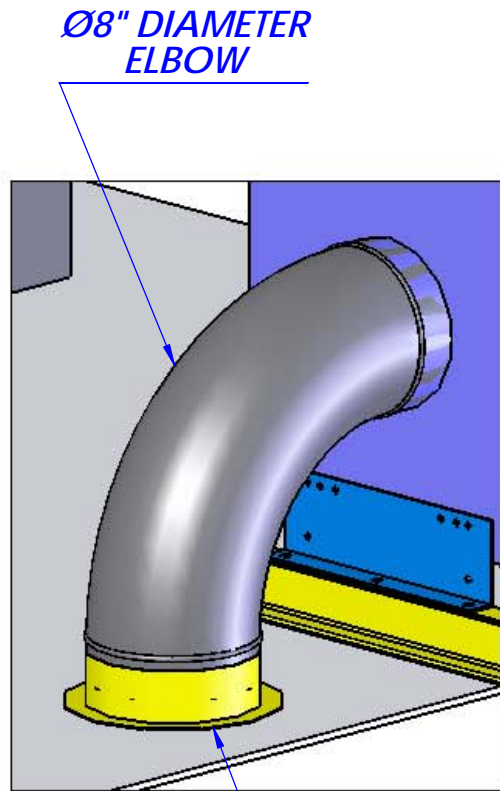
CUSTOM COLLAR

PVC DRAIN PIPE
(TO THE MACHINE'S
SUMP)

PROCESS(ES): METAL MACHINING
DUST TYPE(S): MIST - METAL DUST MIXED WITH OIL
ESTIMATED PARTICLE SIZE(S): N/A μm (MIST)

lev-co	THE LOCAL EXHAUST & VENTILATION COMPANY	
	www.LEV-CO.com Sales @LEV-CO.com North America: Phone: 888.862.5356, Fax: 866.840.9923	
Drawn by: Janos Balazs	Date: 10/15/2007	JOHN MACHINE SERVICE MACHINES Layout Drawing
Scale: NTS	Weight: N/A	
The device depicted and described herein embodies proprietary information owned by the manufacturer. All design, manufacturing, reproduction, sales and patent rights regarding this device or drawing reserved except where explicit right is guaranteed in writing. We reserve the right to make design changes.		File Name: -
Drawing No: -		Sheet: 1/5
PAGE TITLE: GENERAL PRESENTATION - 3D OVERVIEW VF-2		

DIMETRIC VIEW



PROCESS(ES): METAL MACHINING
DUST TYPE(S): MIST - METAL DUST MIXED WITH OIL
ESTIMATED PARTICLE SIZE(S): N/A μm (MIST)

THE LOCAL EXHAUST & VENTILATION COMPANY lev-co www.LEV-CO.com Sales @LEV-CO.com North America: Phone: 888.862.5356, Fax: 866.840.9923	
Drawn by: Janos Balazs Date: 10/15/2007 Scale: NTS Weight: N/A	JOHN MACHINE SERVICE MACHINES Layout Drawing
The device depicted and described herein embodies proprietary information owned by the manufacturer. All design, manufacturing, reproduction, sales and patent rights regarding this device or drawing reserved except where explicit right is guaranteed in writing. We reserve the right to make design changes.	Drawing No.: File Name: Material: Sheet: 3A/6
PAGE TITLE: GENERAL PRESENTATION - 3D OVERVIEW VF-5	