

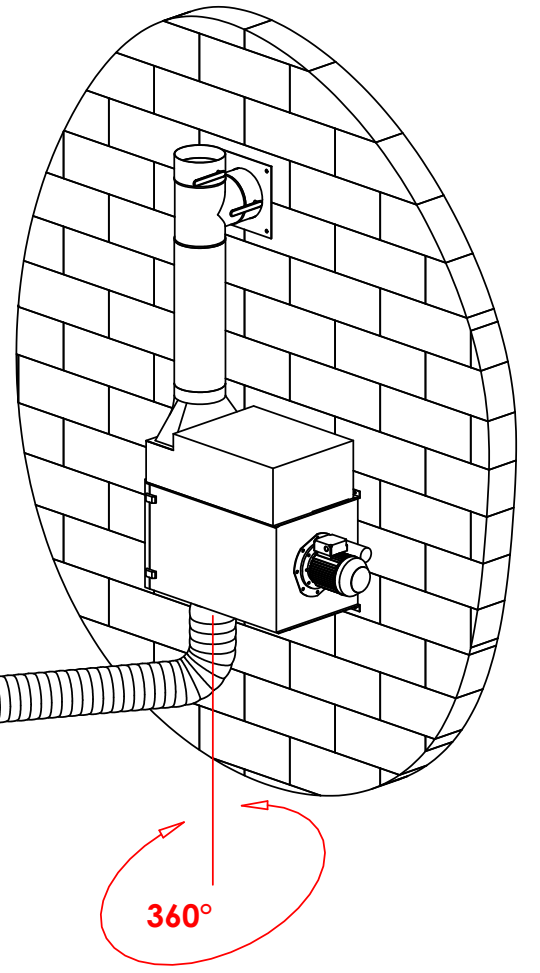
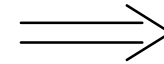
PDK-8-SW
EXHAUST KIT WITH
SUMMER/WINTER
DAMPER

WF-ECO-SILENCER
SILENCER FOR WF-SC

WF-SC
SELF CLEANING WALL FLEX

P-XXX
FLEXI EXTRACTOR ARM

RELH-160/200
RECEIVING EXTENSION HOOD



| |
|---------------------------|
| CUSTOMER: |
| CUSTOMER P.O.: |
| PROJECT: |
| ENGINEER: |
| SALES REP.: |
| IDENTIFICATION / TAGGING: |

www.lev-co.com • 1.888.862.5356



The device depicted and described hereon embodies proprietary information owned by the manufacturer. All design, manufacturing, reproduction, sales and patent rights regarding this device or drawing reserved except where explicit right is guaranteed in writing. We reserve the right to make design changes.

| | |
|-----------|----------|
| Drawn by: | Janos B |
| Date: | 7/3/2014 |
| Scale: | NTS |
| Weight: | N/A |

| | |
|------------------|-----------------------------------|
| FLEXI ARM | |
| Mounting Example | |
| Drawing No.: | - |
| Material: | - |
| File Name: | (01-01-14) How to join RELH160200 |
| Sheet: | 1/1 |