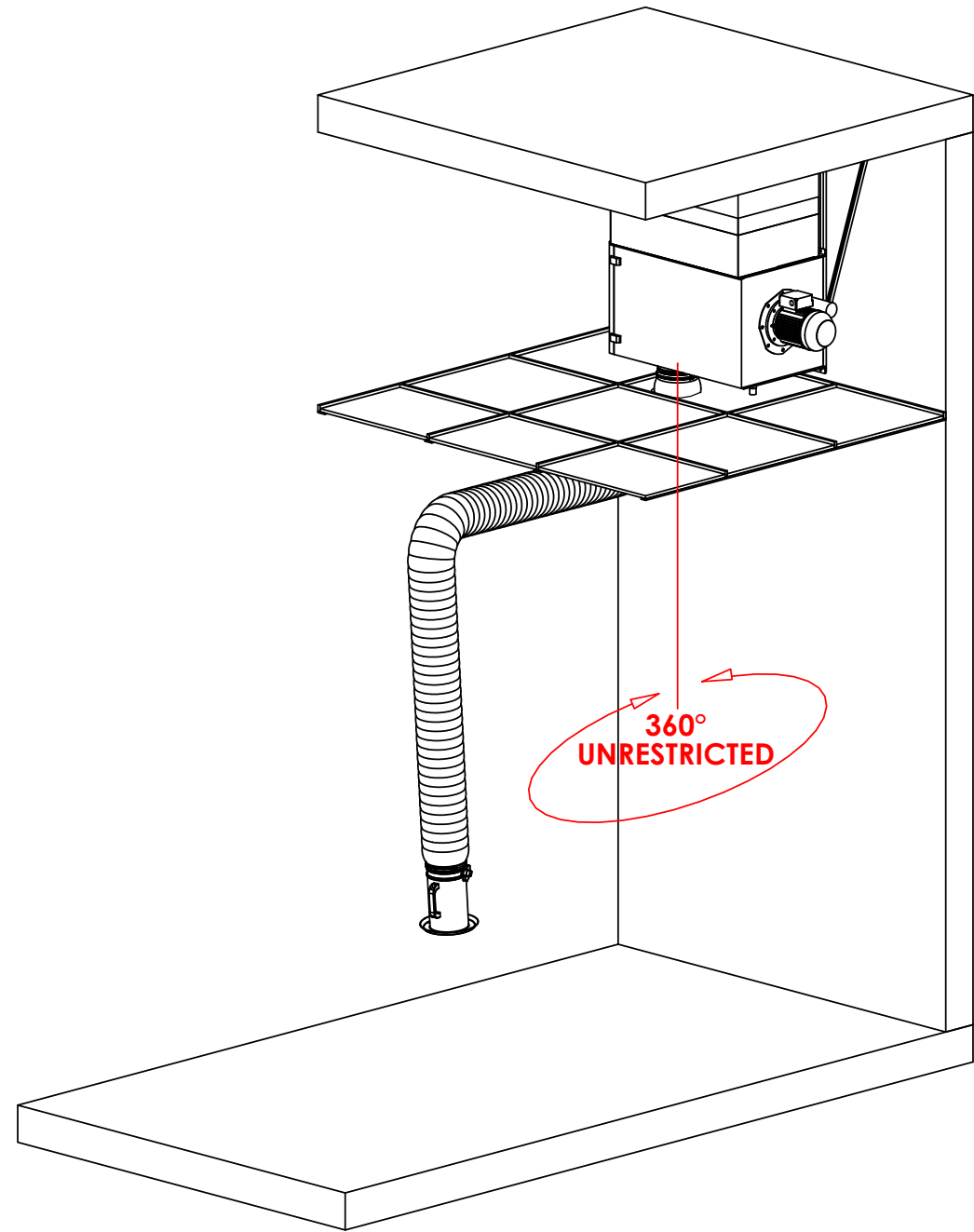


WF-SC-HEPA
HEPA FILTER

WF-SCX-X
WALL FLEX
SELF
CLEANING

1 5/8" UNISTRUT
MOUNTING BRACKETS
- NOT INCLUDED - BY OTHERS -

P-... SEE CHART
FLEXI ARM



CUSTOMER:
CUSTOMER P.O.:
PROJECT:
ENGINEER:
SALES REP.:
IDENTIFICATION / TAGGING:

> www.lev-co.com • 1.888.862.5356

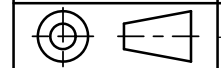
lev-co

The device depicted and described hereon embodies proprietary information owned by the manufacturer. All design, manufacturing, reproduction, sales and patent rights regarding this device or drawing reserved except where explicit right is guaranteed in writing. We reserve the right to make design changes.

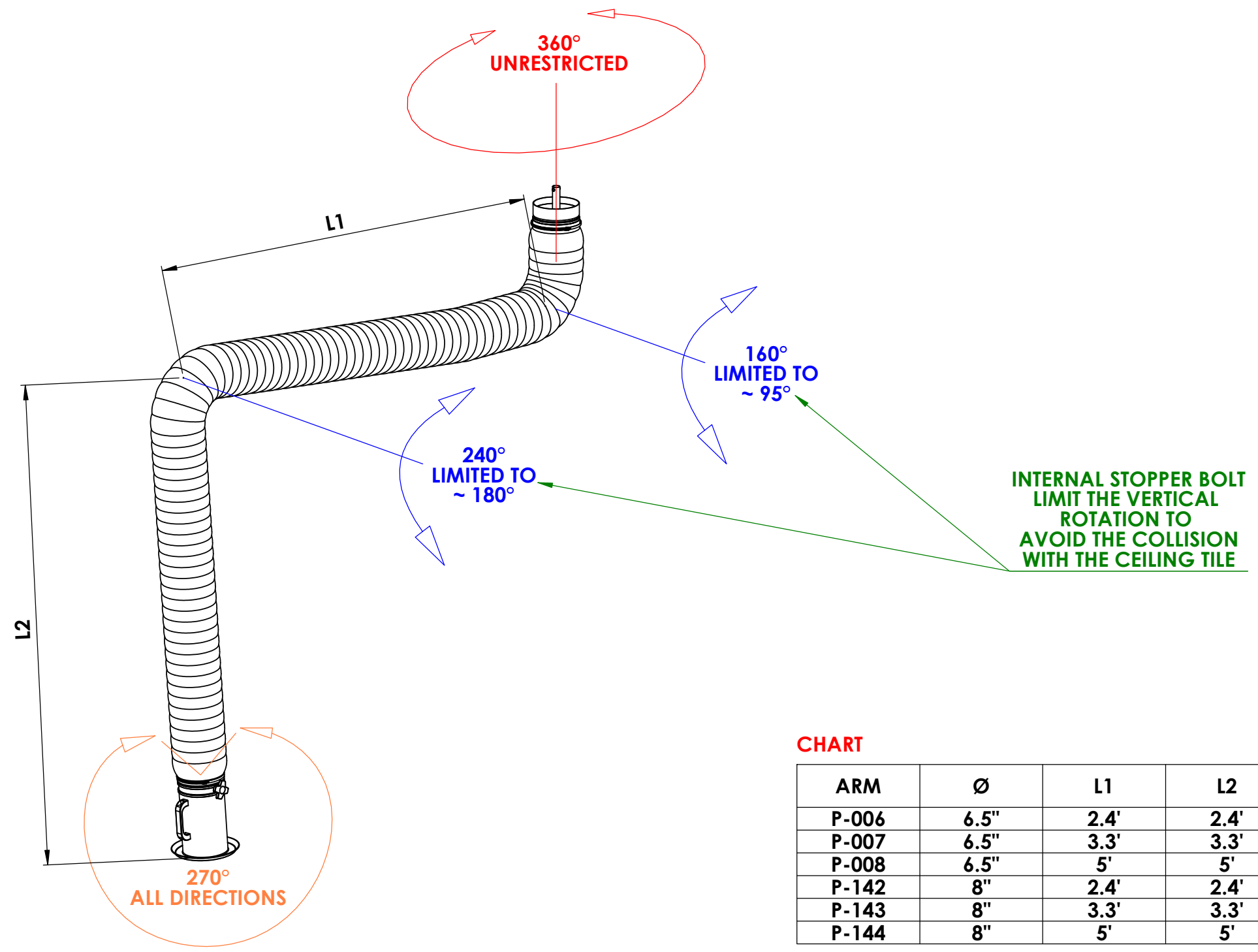
Drawn by: Janos B
Date: 5/14/2015
Scale: NTS
Weight: N/A

WALL-FLEX SELF CLEANING

Mounting Example



Drawing No.: -
Material: -
File Name: (03-051-01) How to Join FLEXI-WF
Sheet: 1/2



CHART

ARM	Ø	L1	L2	TOTAL LENGTH
P-006	6.5"	2.4'	2.4'	4.8'
P-007	6.5"	3.3'	3.3'	6.6'
P-008	6.5"	5'	5'	10'
P-142	8"	2.4'	2.4'	4.8'
P-143	8"	3.3'	3.3'	6.6'
P-144	8"	5'	5'	10'

CUSTOMER:
 CUSTOMER P.O.:
 PROJECT:
 ENGINEER:
 SALES REP.:
 IDENTIFICATION / TAGGING:

> www.lev-co.com • 1.888.862.5356



The device depicted and described hereon embodies proprietary information owned by the manufacturer. All design, manufacturing, reproduction, sales and patent rights regarding this device or drawing reserved except where explicit right is guaranteed in writing. We reserve the right to make design changes.

Drawn by: Janos B
 Date: 5/14/2015
 Scale: NTS
 Weight: N/A

WALL-FLEX SELF CLEANING
 Mounting Example
 Drawing No.: -
 Material: -
 File Name: (03-051-01) How to Join FLEXI-WF
 Sheet: 2/2