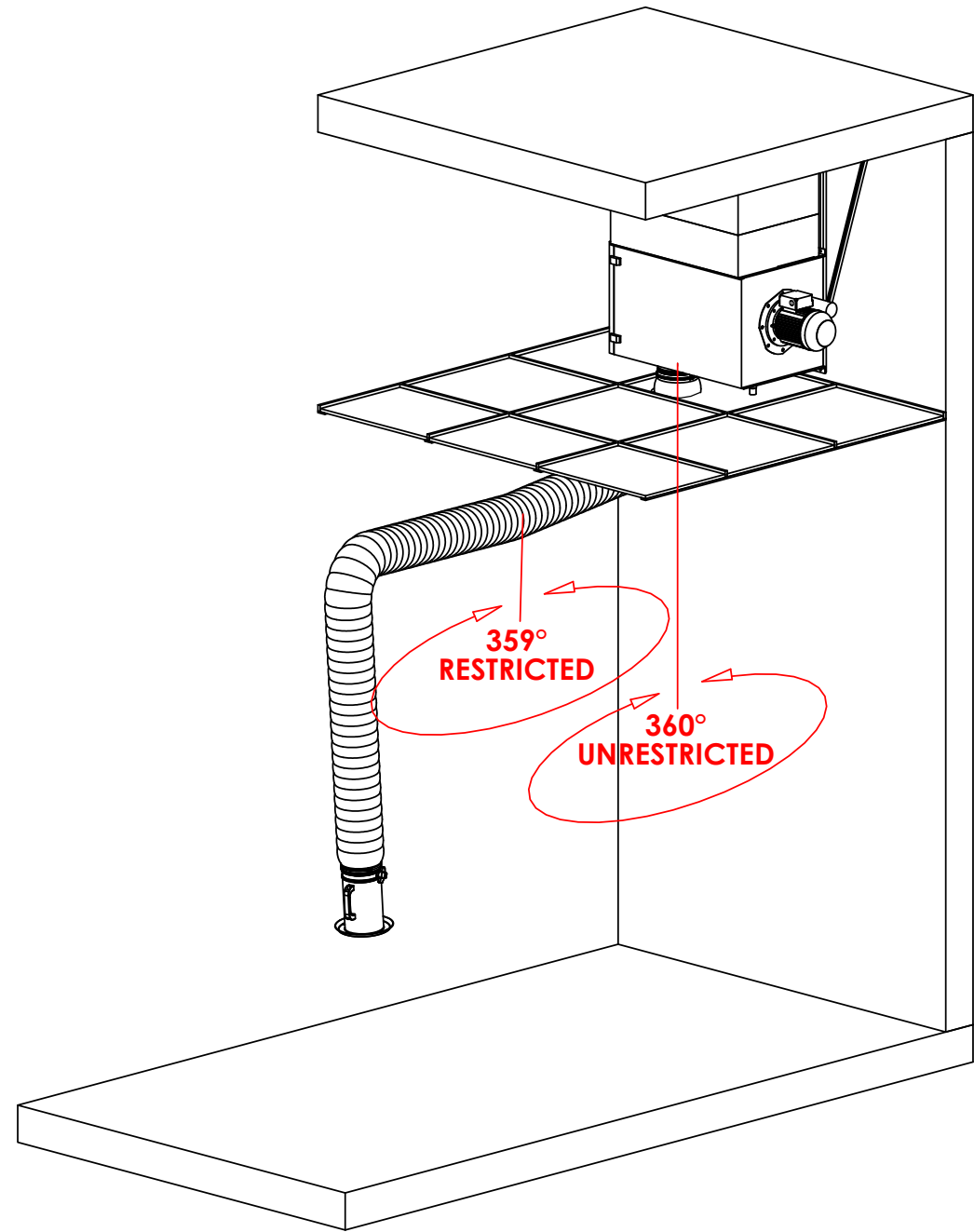


WF-SC-HEPA  
HEPA FILTER

WF-SCX-X  
WALL FLEX  
SELF  
CLEANING

1 5/8" UNISTRUT MOUNTING  
BRACKETS  
- NOT INCLUDED - BY OTHERS -

P-... SEE CHART  
FLEXI ARM



CUSTOMER:  
CUSTOMER P.O.:  
PROJECT:  
ENGINEER:  
SALES REP.:  
IDENTIFICATION / TAGGING:

> [www.lev-co.com](http://www.lev-co.com) • 1.888.862.5356

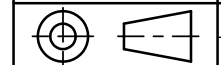
**lev-co**

The device depicted and described hereon embodies proprietary information owned by the manufacturer. All design, manufacturing, reproduction, sales and patent rights regarding this device or drawing reserved except where explicit right is guaranteed in writing. We reserve the right to make design changes.

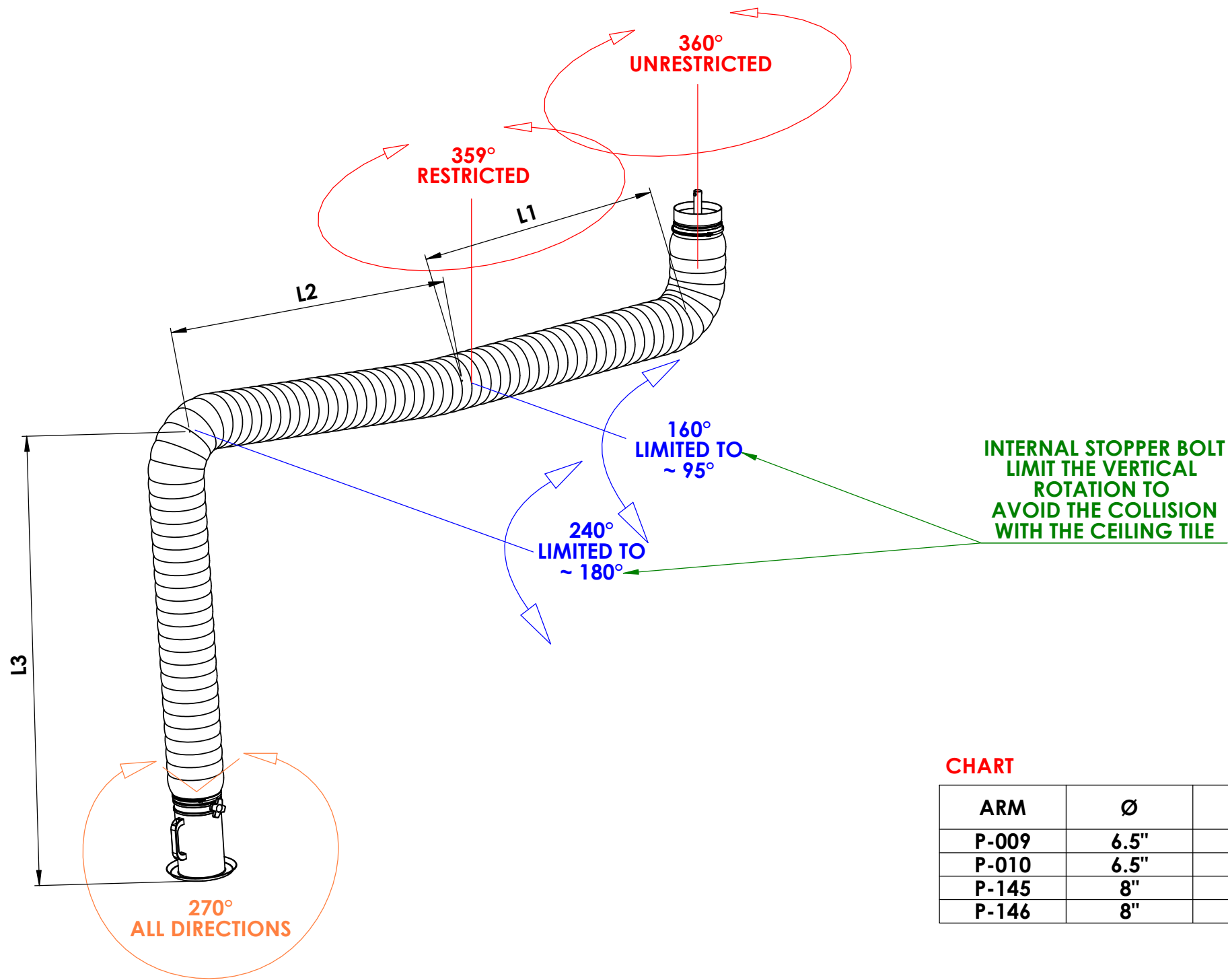
Drawn by: Janos B  
Date: 5/14/2015  
Scale: NTS  
Weight: N/A

**WALL-FLEX SELF CLEANING**

Mounting Example



Drawing No.: -  
Material: -  
File Name: (03-051-03) How to Join FLEXI-WF-  
Sheet: 1/2



**CHART**

ARM	Ø	L1	L2	L3	TOTAL LENGTH
P-009	6.5"	3.4'	5'	5'	13.4'
P-010	6.5"	6.7'	5'	5'	16.7'
P-145	8"	3.4'	5'	5'	13.4'
P-146	8"	6.7'	5'	5'	16.7'

CUSTOMER:  
CUSTOMER P.O.:  
PROJECT:  
ENGINEER:  
SALES REP.:  
IDENTIFICATION / TAGGING:

> [www.lev-co.com](http://www.lev-co.com) • 1.888.862.5356

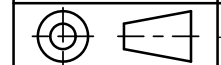
**lev-co**

The device depicted and described hereon embodies proprietary information owned by the manufacturer. All design, manufacturing, reproduction, sales and patent rights regarding this device or drawing reserved except where explicit right is guaranteed in writing. We reserve the right to make design changes.

Drawn by: Janos B  
Date: 5/14/2015  
Scale: NTS  
Weight: N/A

**WALL-FLEX SELF CLEANING**

Mounting Example



Drawing No.: -  
Material: -  
File Name: (03-051-03) How to Join FLEXI-WF  
Sheet: 2/2