

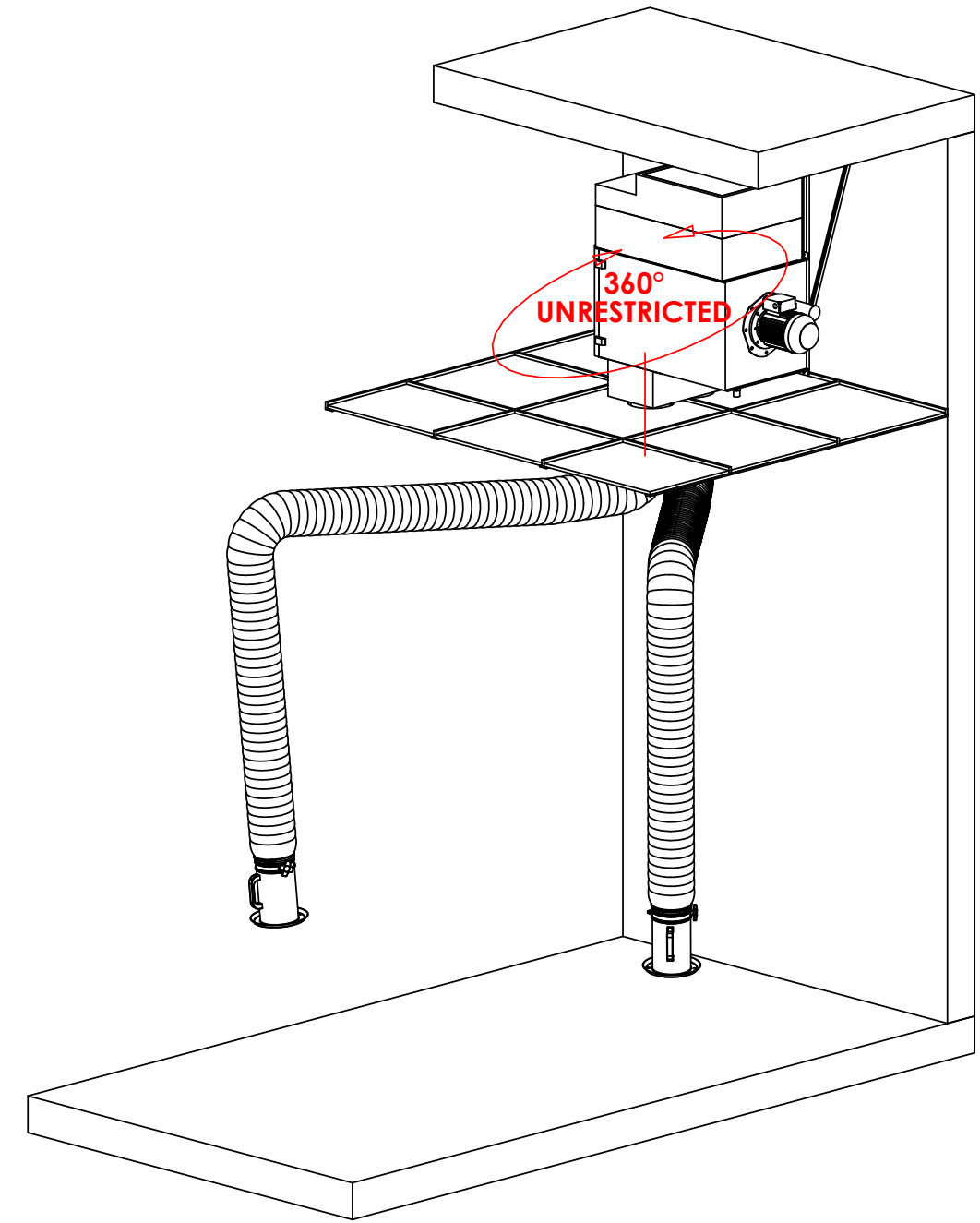
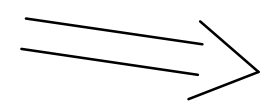
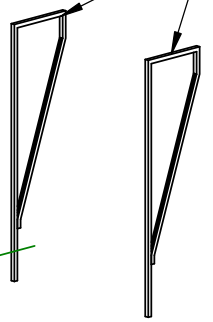
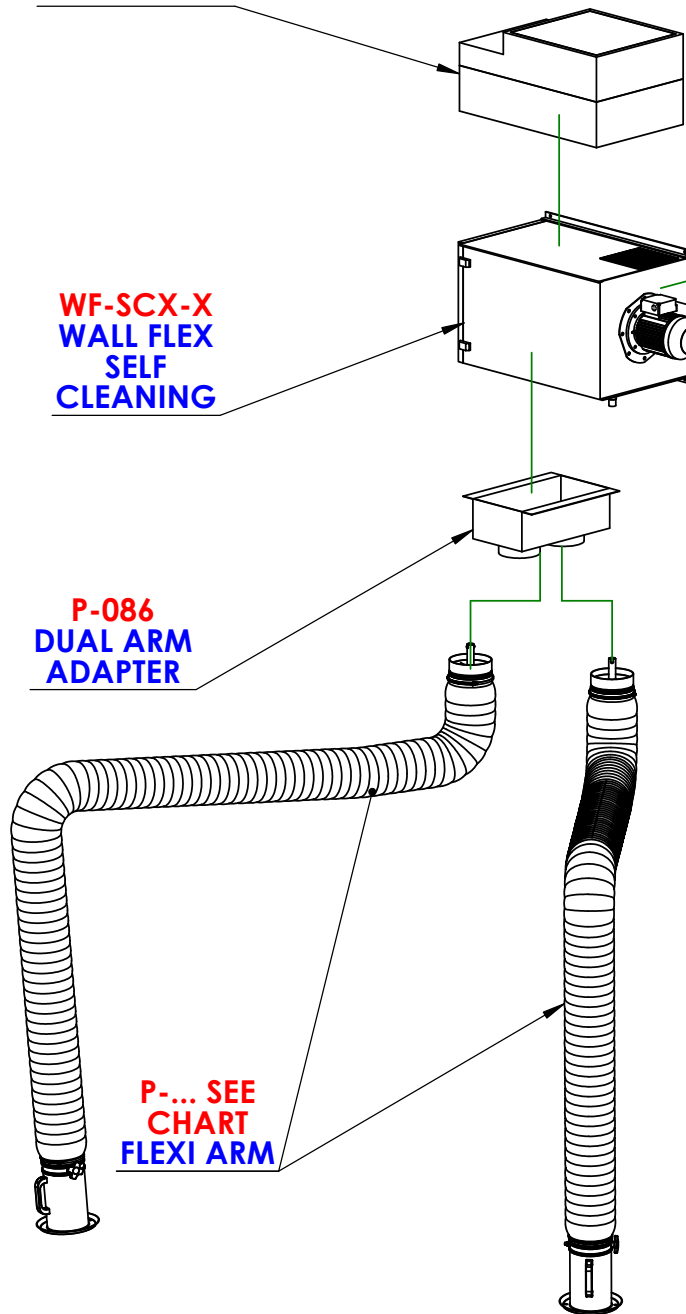
WF-SC-HEPA
HEPA FILTER

WF-SCX-X
WALL FLEX
SELF
CLEANING

P-086
DUAL ARM
ADAPTER

P-... SEE
CHART
FLEXI ARM

1 5/8" UNISTRUT MOUNTING
BRACKETS
- NOT INCLUDED - BY OTHERS -



CUSTOMER:
CUSTOMER P.O.:
PROJECT:
ENGINEER:
SALES REP.:
IDENTIFICATION / TAGGING:

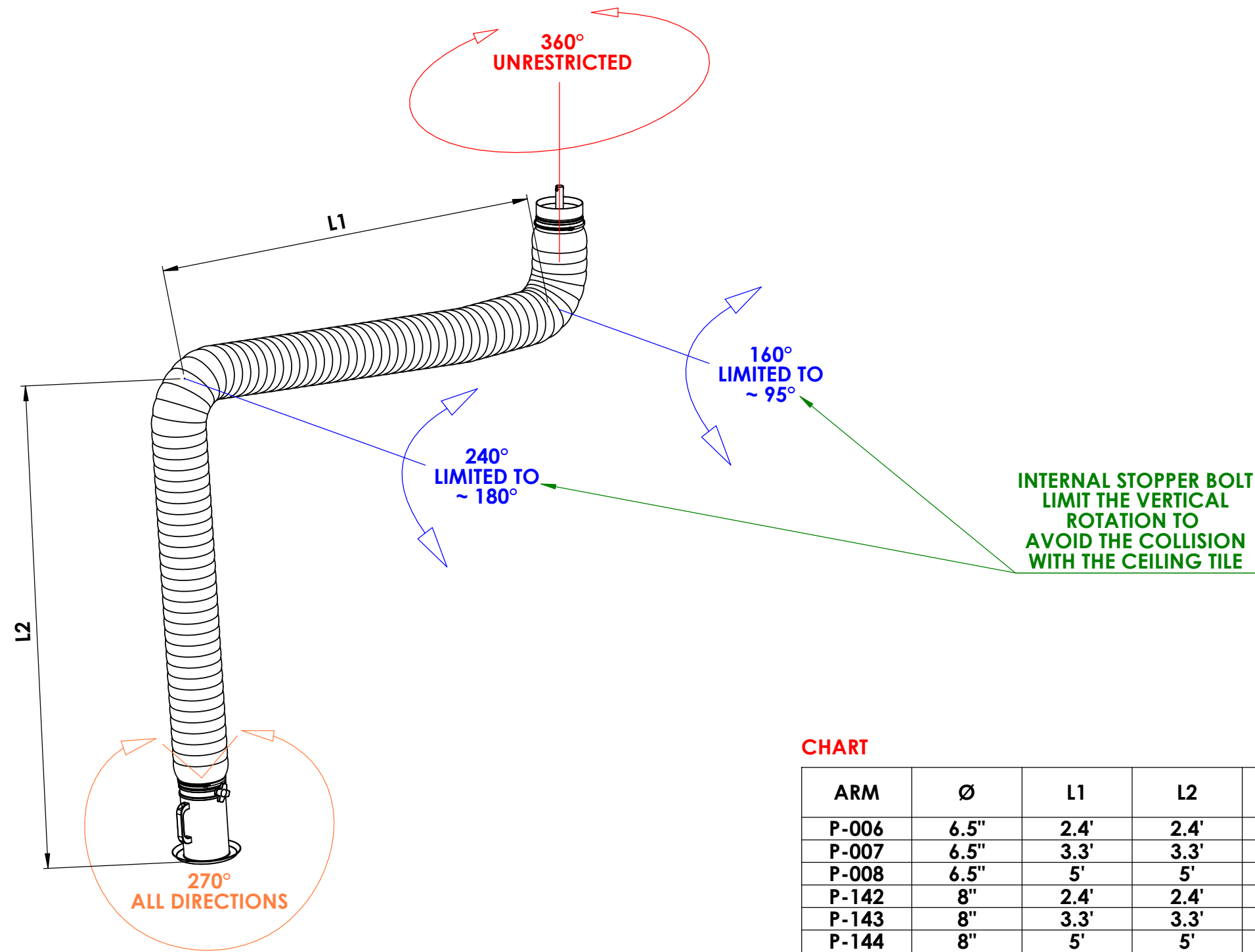
> www.lev-co.com • 1.888.862.5356



The device depicted and described hereon embodies proprietary information owned by the manufacturer. All design, manufacturing, reproduction, sales and patent rights regarding this device or drawing reserved except where explicit right is guaranteed in writing. We reserve the right to make design changes.

Drawn by:	Janos B
Date:	5/14/2015
Scale:	NTS
Weight:	N/A

WALL-FLEX SELF CLEANING	
Mounting Example	
Drawing No.:	-
Material:	-
File Name:	(03-051-04) How to Join 2xFLX+P
Sheet:	1/2



CHART

ARM	Ø	L1	L2	TOTAL LENGTH
P-006	6.5"	2.4'	2.4'	4.8'
P-007	6.5"	3.3'	3.3'	6.6'
P-008	6.5"	5'	5'	10'
P-142	8"	2.4'	2.4'	4.8'
P-143	8"	3.3'	3.3'	6.6'
P-144	8"	5'	5'	10'



CUSTOMER:
 CUSTOMER P.O.:
 PROJECT:
 ENGINEER:
 SALES REP.:
 IDENTIFICATION / TAGGING:

> www.lev-co.com • 1.888.862.5356



The device depicted and described hereon embodies proprietary information owned by the manufacturer. All design, manufacturing, reproduction, sales and patent rights regarding this device or drawing reserved except where explicit right is guaranteed in writing. We reserve the right to make design changes.

Drawn by: Janos B
 Date: 5/14/2015
 Scale: NTS
 Weight: N/A

WALL-FLEX SELF CLEANING

Mounting Example

Drawing No.: -
 Material: -
 File Name: (03-051-04) How to Join 2xFLExH+P
 Sheet: 2/2

