

CUSTOMER:

CUSTOMER PO:

PROJECT:

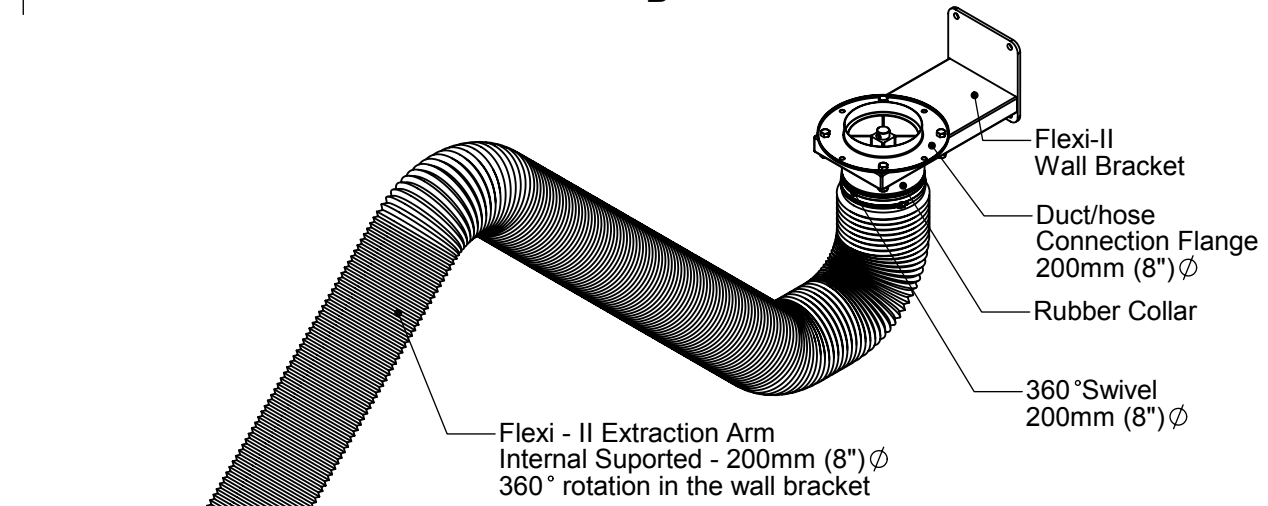
PROJECT NAME:

TAG:

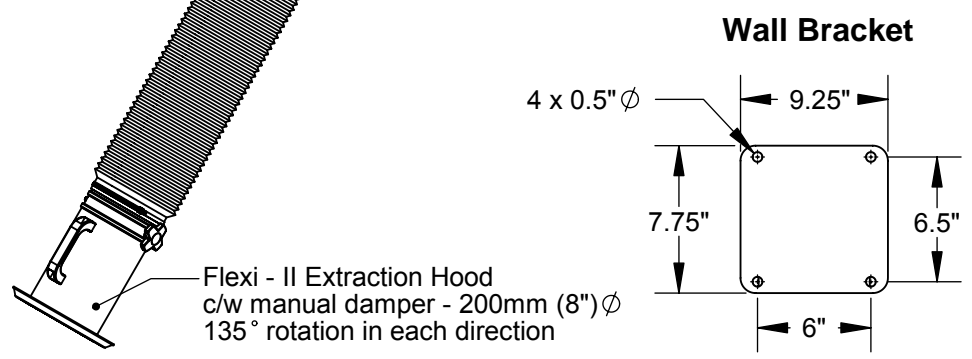
	A	B*	H**
P-143	0.5 m	2.0 m	0.5 m
P-144	1.0 m	3.0 m	1.0 m
P-145	2.0 m	4.0 m	1.0 m
P-146	2.0 m	5.0 m	1.0 m

B*: with the arm fully extended and the length of the hood included

H**: with the arm fully folded



- P - 143: Flexi - II Extraction Arm 200mm (8") ϕ - 2m (6.7')L
- P - 144: Flexi - II Extraction Arm 200mm (8") ϕ - 3m (10')L
- P - 145: Flexi - II Extraction Arm 200mm (8") ϕ - 4m (13.5')L
- P - 146: Flexi - II Extraction Arm 200mm (8") ϕ - 5m (16.5')L



lev-co

THE LOCAL EXHAUST & VENTILATION COMPANY

www.LEV-CO.com

Sales@LEV-CO.com

North America: Phone: 888.862.5356, Fax: 8668409923

<p>The device depicted and described hereon embodies proprietary information owned by the manufacturer. All design, manufacturing, reproduction, sales and patent rights regarding this device or drawing reserved except where explicit right is guaranteed in writing. We reserve the right to make design changes.</p>	<p>Drawn by: Adrian Pop</p>	<p>Title: Flexi - II Extraction Arms Specification Drawing</p>	
	<p>Date: 07/15/2005</p>	<p>Drawing No.: S-10301-00 File Name:</p>	
	<p>Scale: NTS</p>		
	<p>Weight: 00.0</p>	<p>Material: - Sheet 1/1</p>	