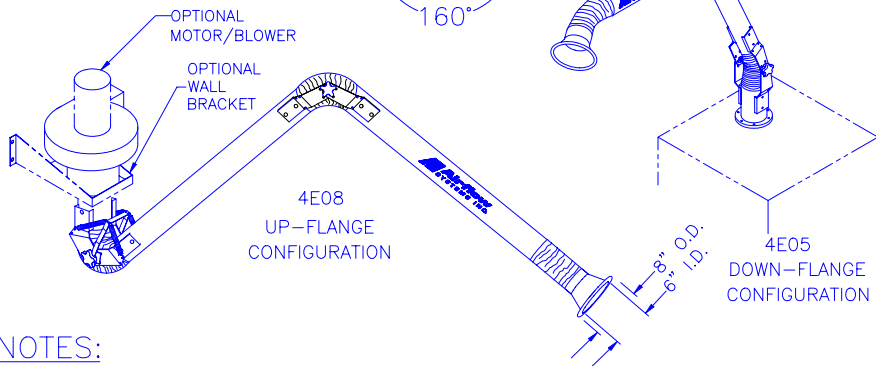
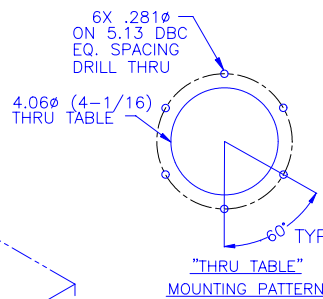
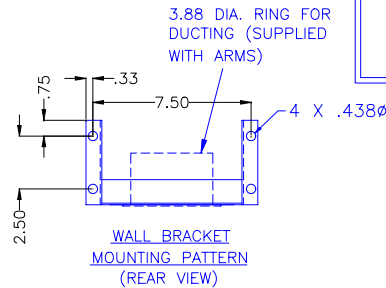


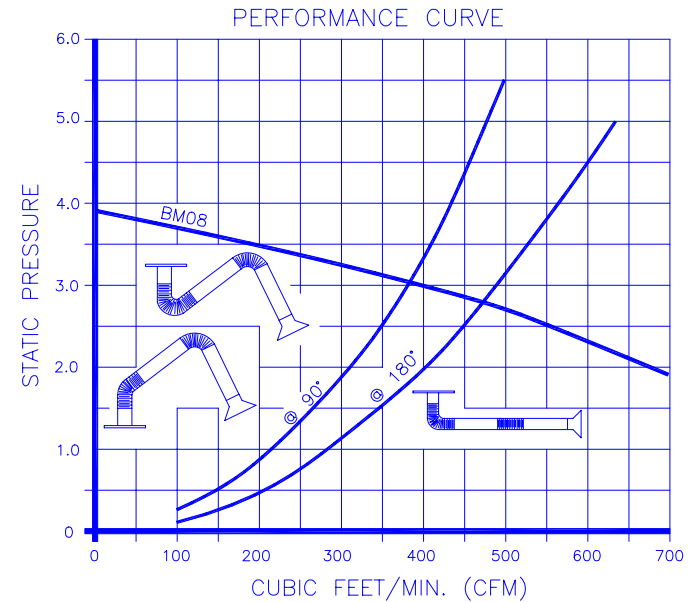
	5 FT	8 FT
	4E05	4E08
L1	66.75	105.00
L2	29.25	53.00
H1	13.00	38.00
H2	36.00	54.00
R1	23.00	41.00
R2	34.00	52.00



**NOTES:**  
 ITEMS DESIGNATED AS  ARE INCLUDED IN THIS PROPOSAL

**SPECIFICATIONS:**

- CONSTRUCTION:** Aluminum tubes connected with a spiral flex duct (UL Rated). Heavy duty aluminum joints with easy external friction adjustment, double friction ring base joint and universal joint at flanged inlet hood.
- LENGTH-WEIGHT:**  5 ft. - 9 lbs.  Up-flange  Down-flange  
 8 ft. - 11 lbs.  Up-flange  Down-flange
- FIRE SUPPRESSION:** Equipment provided by others.
- OPTIONS:**  Motor/Blower  
 Wall Bracket - 3 lbs.  
 Damper  
 Light Kit (includes grille/rag guard)  
 Grille/rag guard  
 Boom Arms:  5 ft.,  8 ft.  
 Stainless Steel



THE DEVICE DEPICTED AND DESCRIBED HEREON EMBODIES PROPRIETARY INFORMATION OWNED BY AIRFLOW SYSTEMS, INC. ALL DESIGN, MANUFACTURING, REPRODUCTION, SALES, AND PATENT RIGHTS REGARDING THIS DEVICE OR DRAWING ARE RESERVED EXCEPT WHERE EXPLICIT RIGHT IS GRANTED IN WRITING.

For more information, please contact:  
**LEV-CO**  
 1.888.862.5356  
 www.lev-co.com

<b>Drawn By</b> CB	<b>Title</b> 4E05, 4E08 ARM UP OR DOWN-FLANGE
<b>Date</b> 2-19-01	<b>Drawing No.:</b> 4ARMSPEC (41-3063/J)
<b>Scale</b>	