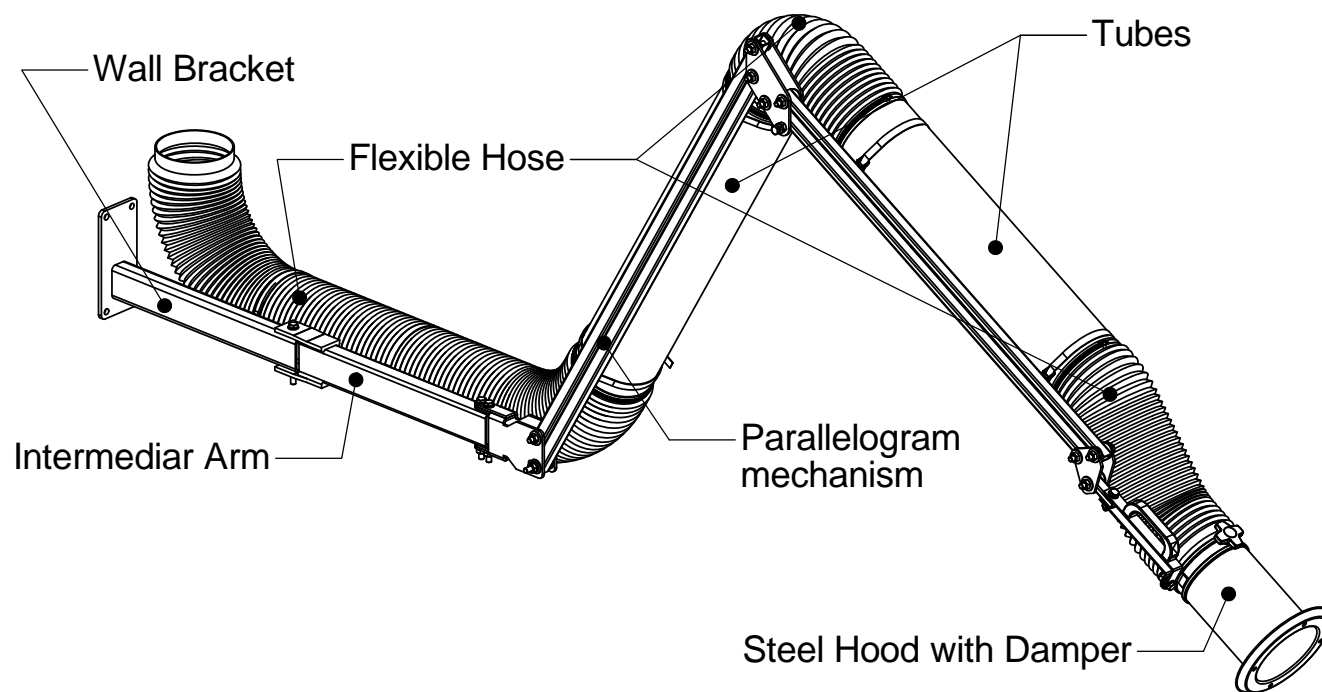
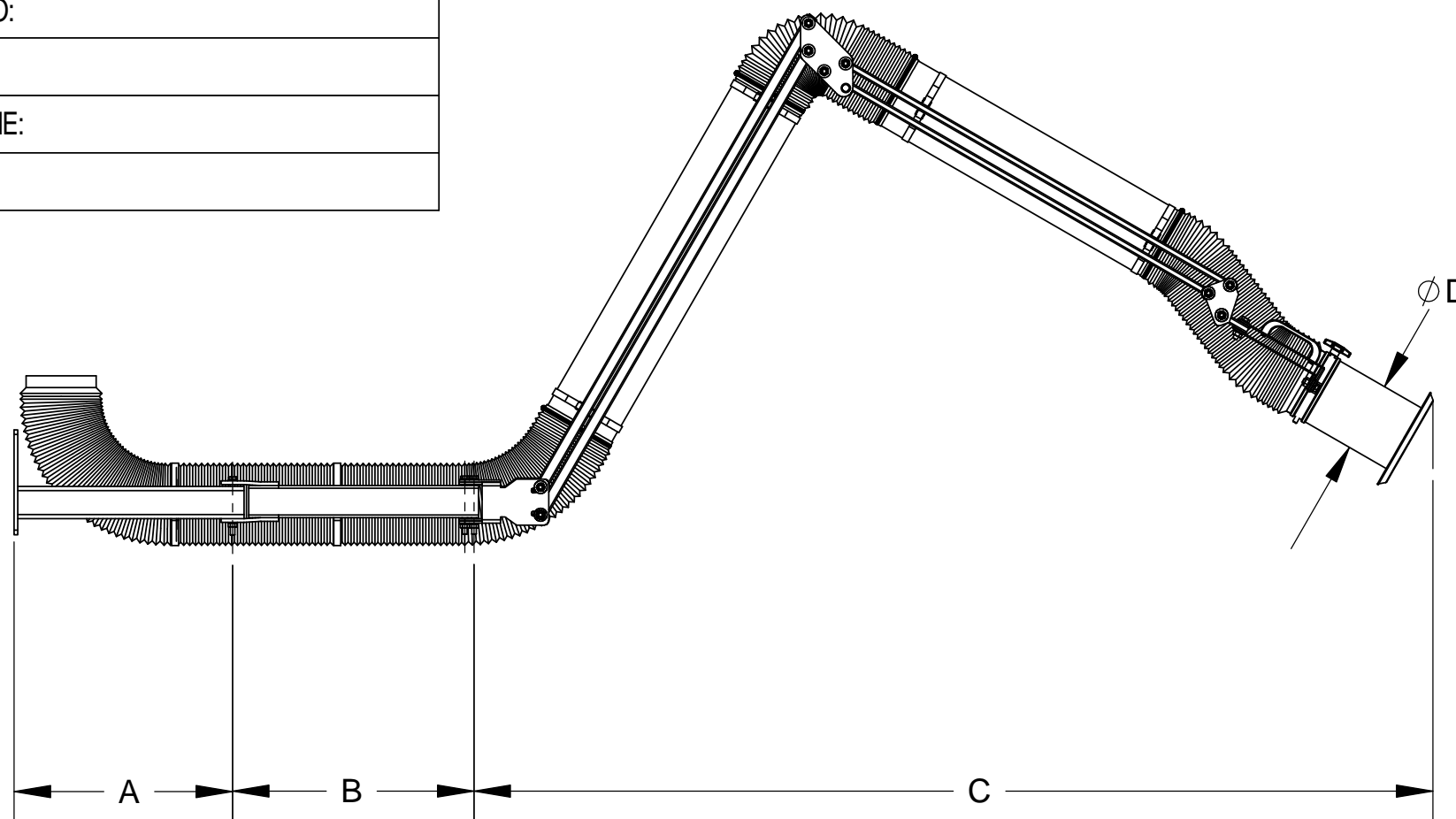
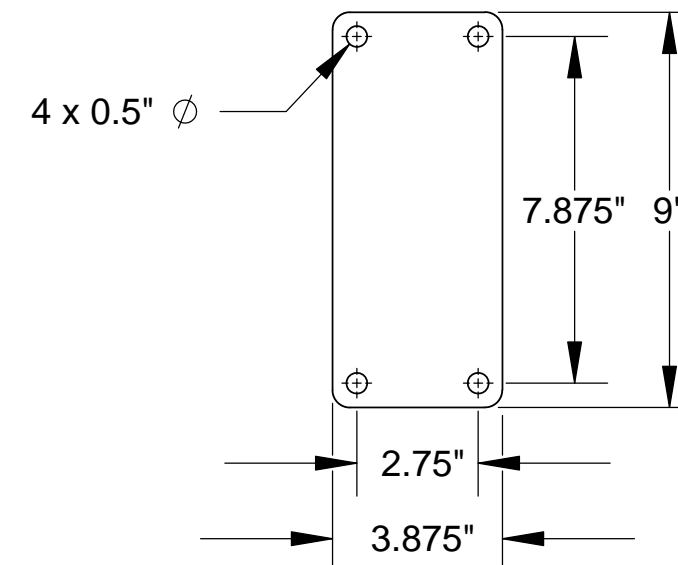


CUSTOMER:
CUSTOMER PO:
PROJECT:
PROJECT NAME:
TAG:

### Wall Mounting Flange Holes Pattern



- PRO - \_\_\_ - 2M: Pro-Flex Extraction Arm \_\_\_mm (\_\_\_")  $\phi$  - 2m (6.5')L
- PRO - \_\_\_ - 3M: Pro-Flex Extraction Arm \_\_\_mm (\_\_\_")  $\phi$  - 3m (10')L
- PRO - \_\_\_ - 4M: Pro-Flex Extraction Arm \_\_\_mm (\_\_\_")  $\phi$  - 4m (13.5')L

	A	B	C
PRO - ___ - 2M	0.5m (1.65')	-	2m (7')
PRO - ___ - 3M	0.5m (1.65')	-	3m (10')
PRO - ___ - 4M	0.5m (1.65')	0.5m (1.65')	3m (10')

	D
PRO -100- X	100mm (4")
PRO -125- X	125mm (5")
PRO -160- X	160mm (6.5")
PRO -200- X	200mm (8")

<b>lev-co</b>	THE LOCAL EXHAUST & VENTILATION COMPANY				
	<a href="http://www.LEV-CO.com">www.LEV-CO.com</a>				
	Sales@LEV-CO.com				
	North America: Phone: 888.862.5356, Fax: 8668409923				
The device depicted and described hereon embodies proprietary information owned by the manufacturer. All design, manufacturing, reproduction, sales and patent rights regarding this device or drawing reserved except where explicit right is guaranteed in writing. We reserve the right to make design changes.	Drawn by:	<b>Pro-Flex Extraction Arm Specification Drawing</b>			
	Date:				
	Scale:				
	Weight:				
	<table border="1" style="width: 100%;"> <tr> <td>Drawing No.: S-20276-00</td> <td>File Name:</td> </tr> <tr> <td>Material: -</td> <td>Sheet: 1/1</td> </tr> </table>	Drawing No.: S-20276-00	File Name:	Material: -	Sheet: 1/1
Drawing No.: S-20276-00	File Name:				
Material: -	Sheet: 1/1				