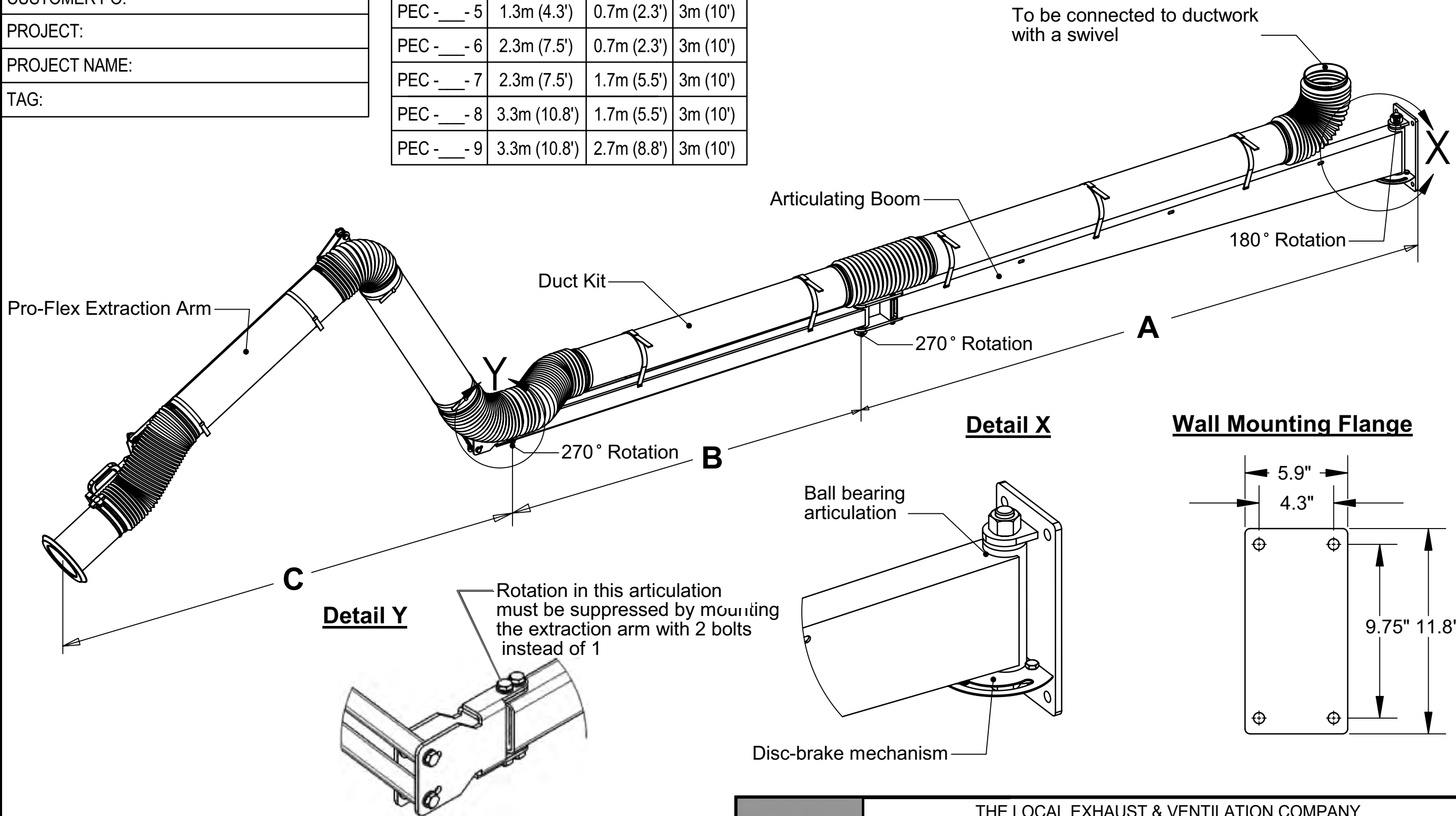


CUSTOMER:  
 CUSTOMER PO:  
 PROJECT:  
 PROJECT NAME:  
 TAG:

	A	B	C
PEC - ___ - 5	1.3m (4.3')	0.7m (2.3')	3m (10')
PEC - ___ - 6	2.3m (7.5')	0.7m (2.3')	3m (10')
PEC - ___ - 7	2.3m (7.5')	1.7m (5.5')	3m (10')
PEC - ___ - 8	3.3m (10.8')	1.7m (5.5')	3m (10')
PEC - ___ - 9	3.3m (10.8')	2.7m (8.8')	3m (10')



- PEC - \_\_\_ - 5: 5m (16.5') Pro-Flex Extraction Crane \_\_\_\_ mm (\_\_\_\_")Ø
- PEC - \_\_\_ - 6: 6m (20') Pro-Flex Extraction Crane \_\_\_\_ mm (\_\_\_\_")Ø
- PEC - \_\_\_ - 7: 7m (23') Pro-Flex Extraction Crane \_\_\_\_ mm (\_\_\_\_")Ø
- PEC - \_\_\_ - 8: 8m (26') Pro-Flex Extraction Crane \_\_\_\_ mm (\_\_\_\_")Ø
- PEC - \_\_\_ - 9: 9m (30') Pro-Flex Extraction Crane \_\_\_\_ mm (\_\_\_\_")Ø

<b>lev-co</b>	THE LOCAL EXHAUST & VENTILATION COMPANY	
	<a href="http://www.LEV-CO.com">www.LEV-CO.com</a> Sales@LEV-CO.com North America: Phone: 888.862.5356, Fax: 8668409923	
The device depicted and described hereon embodies proprietary information owned by the manufacturer. All design, manufacturing, reproduction, sales and patent rights regarding this device or drawing reserved except where explicit right is guaranteed in writing. We reserve the right to make design changes.	Drawn by: Adrian Pop	Title:  <b>Pro-Flex Extraction Crane          Specification Drawing</b>
	Date: 10/09/2005	
	Scale: NTS	
	Weight: 00.0	Drawing No.: S-20321-00      File Name:
		Material: -      Sheet: 1/1