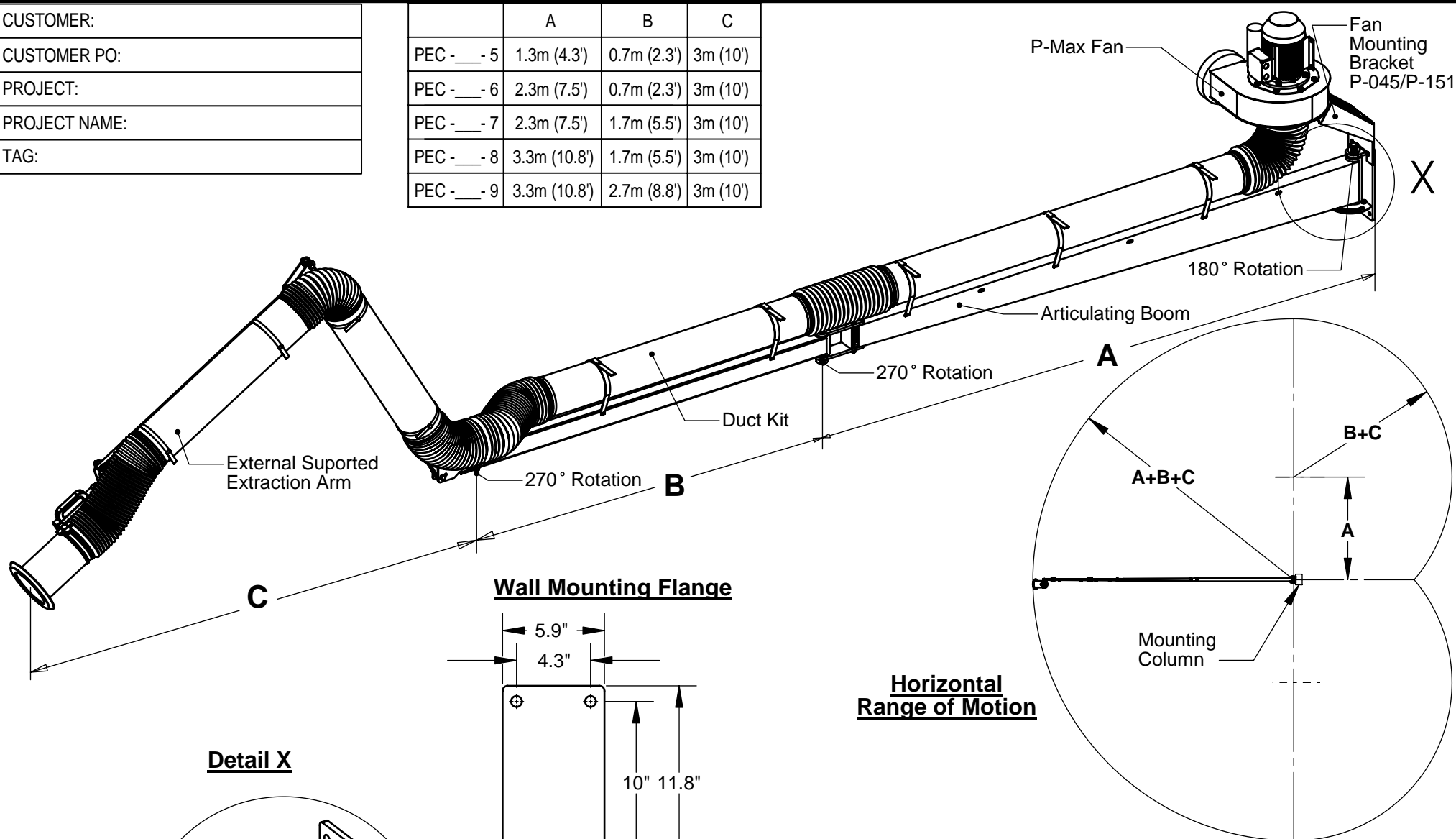
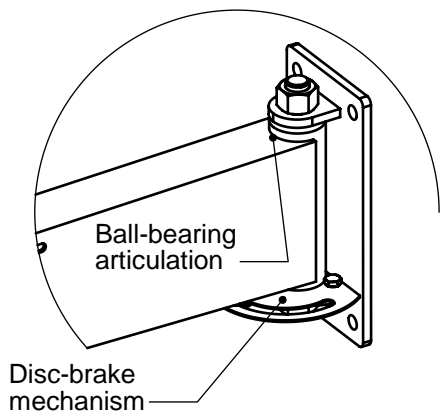


CUSTOMER:
CUSTOMER PO:
PROJECT:
PROJECT NAME:
TAG:

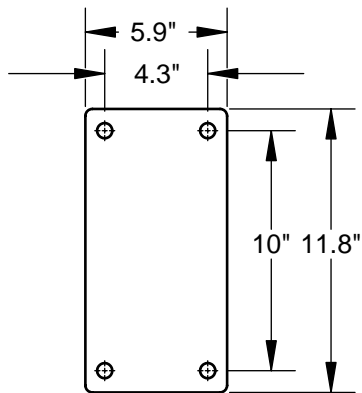
	A	B	C
PEC - ___ - 5	1.3m (4.3')	0.7m (2.3')	3m (10')
PEC - ___ - 6	2.3m (7.5')	0.7m (2.3')	3m (10')
PEC - ___ - 7	2.3m (7.5')	1.7m (5.5')	3m (10')
PEC - ___ - 8	3.3m (10.8')	1.7m (5.5')	3m (10')
PEC - ___ - 9	3.3m (10.8')	2.7m (8.8')	3m (10')



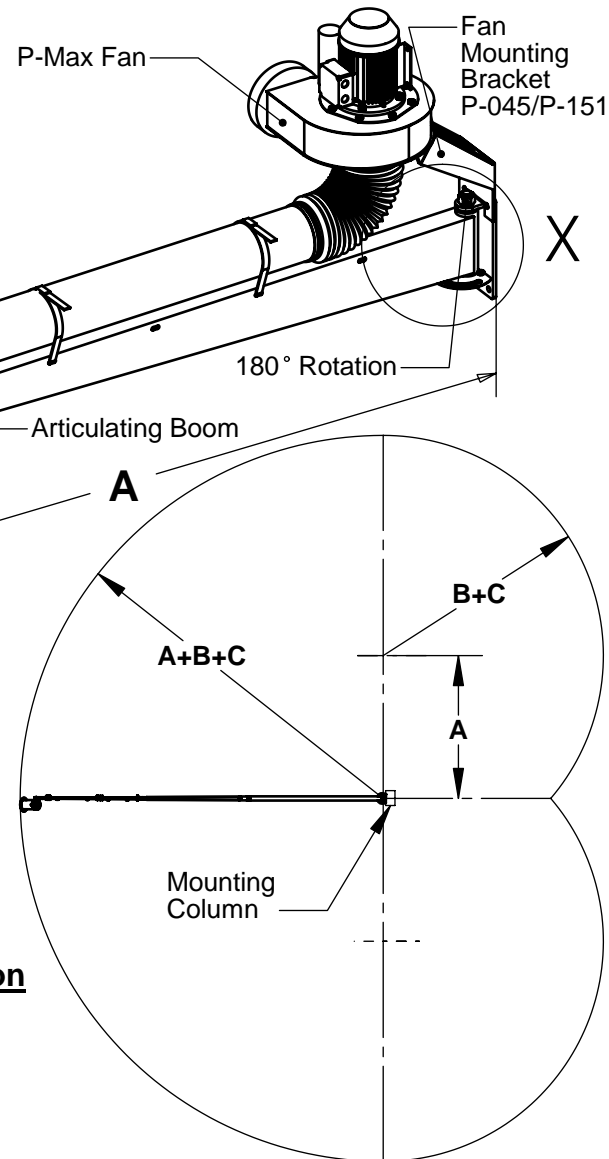
Detail X



Wall Mounting Flange



Horizontal Range of Motion



lev-co	THE LOCAL EXHAUST & VENTILATION COMPANY	
	www.LEV-CO.com	
	Sales@LEV-CO.com	
	North America: Phone: 888.862.5356, Fax: 8668409923	
The device depicted and described hereon embodies proprietary information owned by the manufacturer. All design, manufacturing, reproduction, sales and patent rights regarding this device or drawing reserved except where explicit right is guaranteed in writing. We reserve the right to make design changes.	Drawn by: Adrian Pop	Title: Pro-Flex Extraction Crane w/ P-Max Fan
	Date: 10/09/2005	Specification Drawing
	Scale: NTS	
	Weight: 00.0	
	Drawing No.: S-20322-00	File Name:
	Material: -	Sheet: 1/1