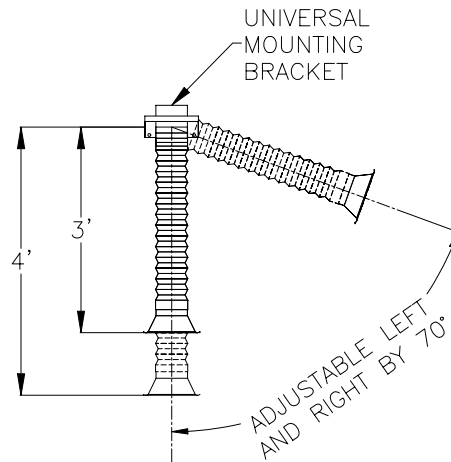
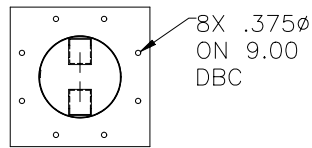


SIDE VIEW

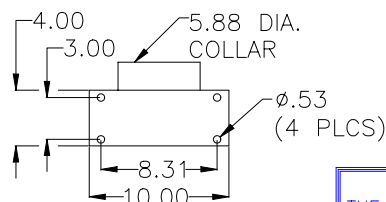


FRONT VIEW

6TS4

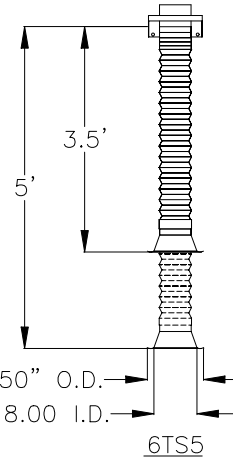


TOP VIEW

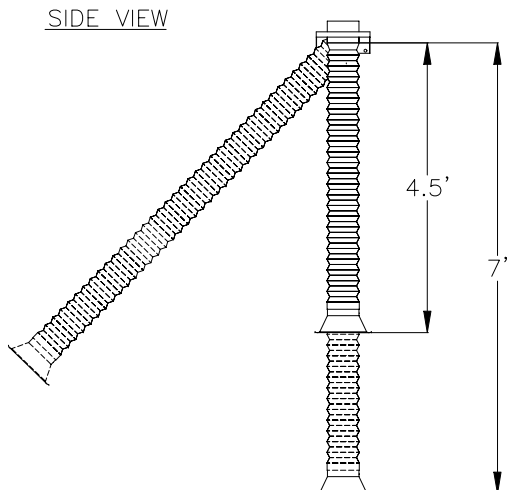


BACK VIEW

WALL BRACKET DETAIL



6TS5



6TS7

SPECIFICATIONS:

CONSTRUCTION:

Dust and fume exhaust arm system, 6" diameter, telescoping, self-supported arm designed for industrial applications. Includes a universal mounting bracket for connecting to a fixed 6" duct, standard E-Z Arm wall bracket, or boom. Arm assembly pivots 360° at the base. The 6TS4 arm telescopes from 3 feet to 4 feet; the 6TS5 telescopes from 3.5 feet to 5 feet; and the 6TS7 arm telescopes from 4.5 feet to 7 feet.

WEIGHT:

6TS4 - 12 lbs.; 6TS5 - 14 lbs.; 6TS7 - 16 lbs.

AIRFLOW:

See curve

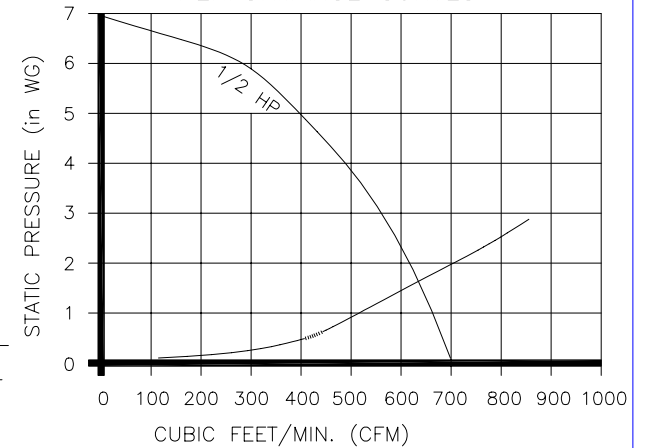
ELECTRICAL:

See blower spec. (All motor/blowers sold separately.)

OPTIONS:

- White hose
- Static free hose
- LTK-35
- Damper
- Rag guard

PERFORMANCE CURVES



NOTES:

THE DEVICE DEPICTED AND DESCRIBED HEREON EMBODIES PROPRIETARY INFORMATION OWNED BY AIRFLOW SYSTEMS, INC. ALL DESIGN, MANUFACTURING, REPRODUCTION, SALES, AND PATENT RIGHTS REGARDING THIS DEVICE OR DRAWING ARE RESERVED EXCEPT WHERE EXPLICIT RIGHT IS GRANTED IN WRITING.

| | | |
|----------------|---------------------------------|--|
| | | For more information, please contact: LEV-CO 1-888-862-5356 www.LEV-CO.com |
| DRAWN BY CB | TITLE 6" TELESCOPING ARM | |
| DATE 4-4-03 | | |
| SCALE | DRAWING NO.: 6TSXSPEC (98-3781) | |