

SPECIFICATIONS:

Construction and Function:

General: The following "externally supported" extractor arms are of industrial quality, and designed to be used for the extraction of fumes, dust, mist, gases and smoke. They are manufactured to withstand the environments associated with these applications and when the appropriate fans are selected, these extractors will remove pollutants in accordance with all industrial ventilation guidelines.

Wall Bracket: Constructed of 6mm (1/4") and 4mm (3/16") stainless steel, acid proof, polished mirrored finished. C/W integrated swivel bearing points, and integrated duct & direct mount fan connections.

Parallelogram Arm: 15x25x1.5mm (0.6"x1"x0.06") for the 1.5m (5') and 2m (7') extraction arms, and 25x25x2mm (1"x1"x0.08") for the 3m (10') and 4m (14') extraction arms. Mirror polished & acid proof stainless steel tubing. "Parallelogram" technology is used along with 2 "gas shock" assisted joints to provide precise counterbalancing of the extractor's inner and outer arm.

Range of movement: permit dust and fumes to be extracted at all points below it's maximum horizontal height when fully extended and raised.

Vertical Range of Motion: For vertical range of motion see the diagrams.

Horizontal Range of Motion: The extraction arms have a maximum horizontal radius of 1.5m (5'), 2m (7'), 3m (10') and 4m (14').

Hardware: All joints are provided with friction disks, "Spring" washers and nylon insert lock nuts. All parallelogram joints have been pre-assembled and tensioned by the factory

Standard Hose: Round in construction, made of flame proof, double skin, fiberglass, reinforced, and flexible PVC fabric resistant to UV radiation. Maximum operating temperature 70°C. White in color.


Optional hose: available in a wide range of types (ex. food grade, electricly conductive etc.). Contact your LEV-CO representative for details.

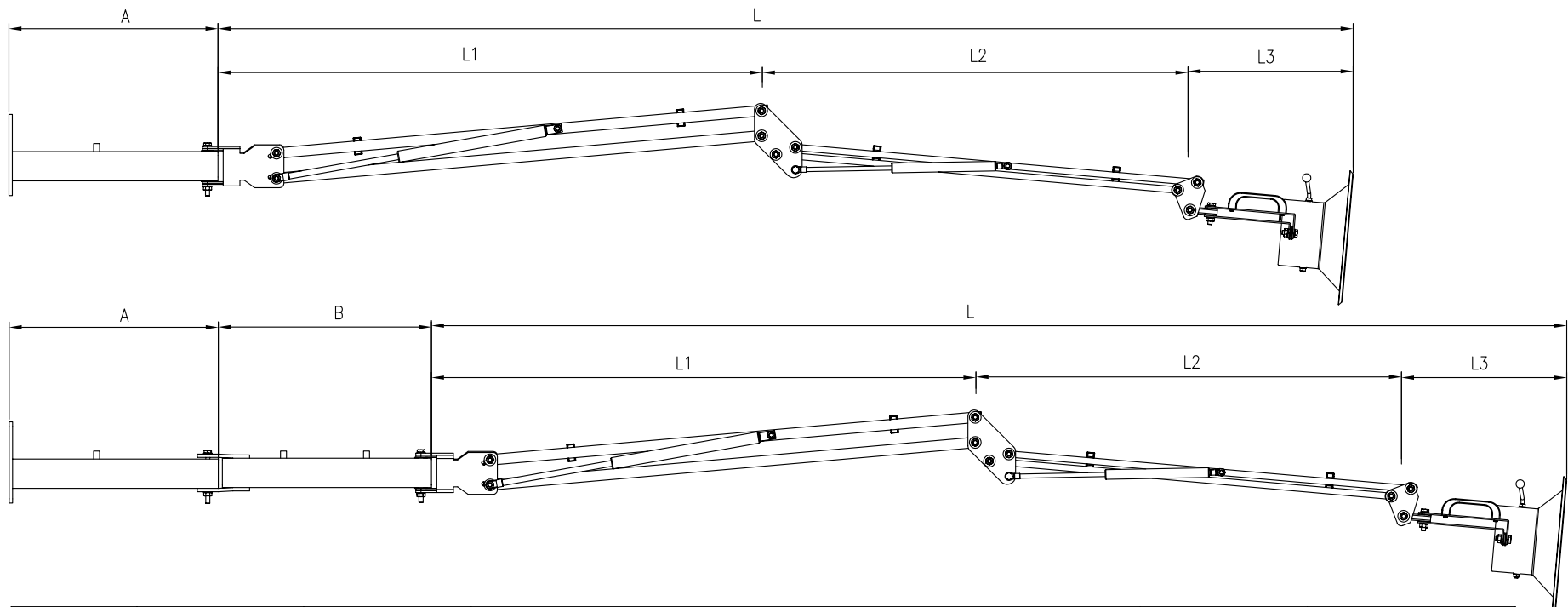
Hood: The hood is constructed of 20ga, stainless steel, acid proof, with a polished mirrored finish. The hood comes with; integrated damper with a positive seal, ring handle, front handle, "Quick connect" flange and has range of motion of 270 degrees in all directions.

Hardware: The arm is supplied with all necessary hardware required for assembly and duct connection. Hardware for mounting the extractor to the wall or column is to be provided by the installing contractor or end user.

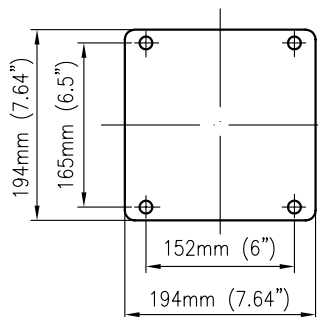
Grounding: Grounding straps are supplied.

The device depicted and described hereon embodies proprietary information owned by the manufacturer. All design, manufacturing, reproduction, sales and patent rights regarding this device or drawing reserved except where explicit right is guaranteed in writing. We reserve the right to make design changes.

		THE LOCAL EXHAUST & VENTILATION COMPANY 1050 Brock Road, Pickering, ON, L1W 3X4 Phone: 905.831.7001, E-mail Sales@LEV-CO.com North America: Phone: 888.862.5356, Fax: 8668409923 TORONTO-MONTREAL-OTTAWA-EDMONTON-LONDON-WINDSOR	
		DRAWN BY: AP	TITLE: SUPER MAX S.S.
DATE: 01/31/03	SCALE: NTS	DRAWING NO.: SMAXSS-XX2-001	
WEIGHT:	MATERIAL:	SHEET: 1/5	



TYPE	WALL BRACKET A	HORIZONTAL ARM B	PARALLELOGRAM				WEIGHT EXTR. ARM	TOTAL LENGTH EXTR. ARM
			L1	L2	L3	L		
P-112-SS	250 mm (0.82')	-	600 mm (1.97')	500 mm (1.65')	400 mm (1.31')	1500 mm (4.92')	14 kg. (30.8 lbs.)	1750 mm (5.74')
P-113-SS	500 mm (1.65')	-	600 mm (1.97')	500 mm (1.65')	400 mm (1.31')	1500 mm (4.92')	15 kg. (33.0 lbs.)	2000 mm (6.58')
P-114-SS	250 mm (0.82')	-	900 mm (2.95')	700 mm (2.30')	400 mm (1.31')	2000 mm (6.56')	17 kg. (37.4 lbs.)	2250 mm (7.38')
P-115-SS	500 mm (1.65')	-	900 mm (2.95')	700 mm (2.30')	400 mm (1.31')	2000 mm (6.56')	18 kg. (39.6 lbs.)	2500 mm (8.20')
P-117-SS	500 mm (1.65')	-	1350 mm (4.43')	1100 mm (3.61')	400 mm (1.31')	2850 mm (9.35')	24 kg. (52.8 lbs.)	3350 mm (11.00')
P-121-SS	500 mm (1.65')	700 mm (1.65')	1350 mm (4.43')	1100 mm (3.61')	400 mm (1.31')	2850 mm (9.35')	27 kg. (59.4 lbs.)	4050 mm (13.29')



WALL MOUNTING BRACKET

The device depicted and described hereon embodies proprietary information owned by the manufacturer. All design, manufacturing, reproduction, sales and patent rights regarding this device or drawing reserved except where explicit right is guaranteed in writing. We reserve the right to make design changes.

		THE LOCAL EXHAUST & VENTILATION COMPANY 1050 Brock Road, Pickering, ON, L1W 3X4 Phone: 905.831.7001, E-mail Sales@LEV-CO.com North America: Phone: 888.862.5356, Fax: 8668409923 TORONTO-MONTREAL-OTTAWA-EDMONTON-LONDON-WINDSOR	
		DRAWN BY: AP DATE: 01/31/03 SCALE: NTS WEIGHT:	TITLE: SUPER MAX S.S. DRAWING NO.: SMASS-XX2-002 MATERIAL:

SUPER MAX SS (COMPLETE EXTRACTOR ARM)

Qty	Model Extractor	Description	Hose Diameter
<input type="checkbox"/>	_____P-112-SS	Super-Max S.S. 1.5m(5')	160mm (6.3")
<input type="checkbox"/>	_____P-113-SS	Super-Max S.S. 1.5m(5')	160mm (6.3")
<input type="checkbox"/>	_____P-114-SS	Super-Max S.S. 2.0m(7')	160mm (6.3")
<input type="checkbox"/>	_____P-115-SS	Super-Max S.S. 2.0m(7')	160mm (6.3")
<input type="checkbox"/>	_____P-117-SS	Super-Max S.S. 3.0m(10')	160mm (6.3")
<input type="checkbox"/>	_____P-121-SS	Super-Max S.S. 4.0m(14')	160mm (6.3")

Direct Mounting Fans (single station)

- _____ P-147 Fan P-Max 1500 m³/h
(925ft³/m)/0,37 kW (1/2 hp) 115/1/60
- _____ P-148 Fan P-Max 2100 m³/h 1500
ft³/m)/0,75 kW (1 hp) 115/1/60
- _____ P-149 Fan P-Max 3400 m³/h
(2025 ft³/m)/0,75 kW (1 hp) 115/1/60
- _____ P-149-2.0 Fan P-Max 5300 m³/h
(3180 ft³/m)/1,5 kW (2.0 hp)
208,230,460,575V/3/60

* All Direct Mounting Fan(s) require P-016 Bracket(s)

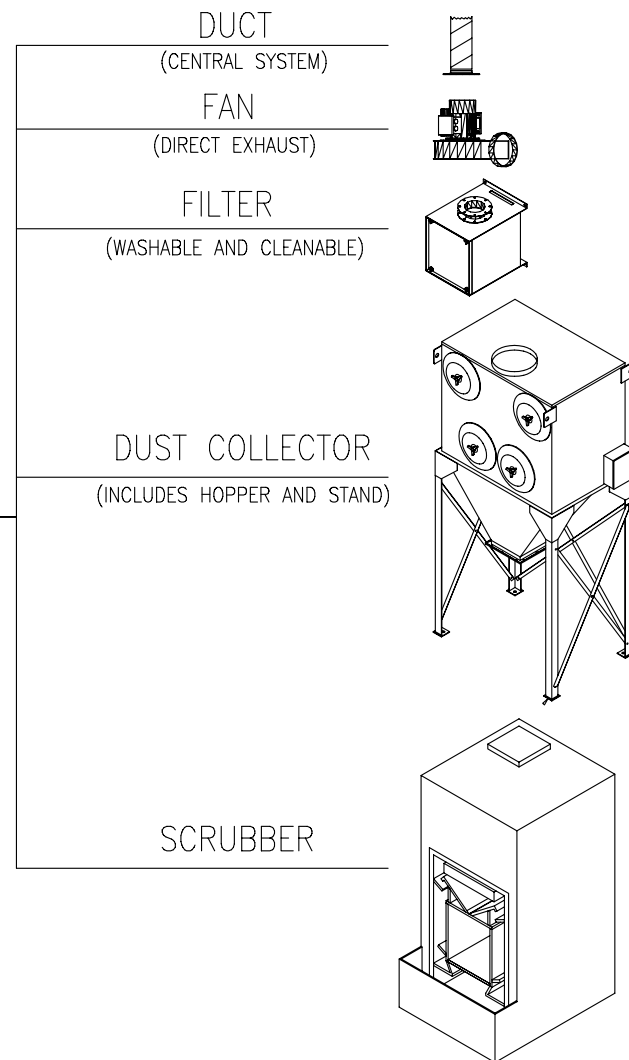
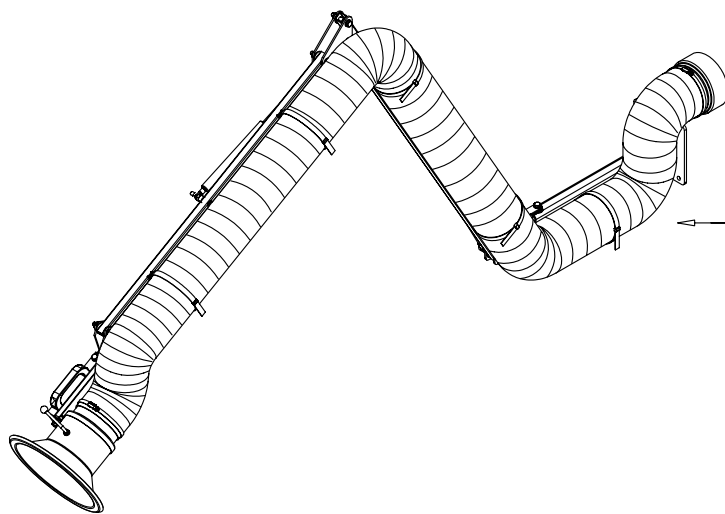
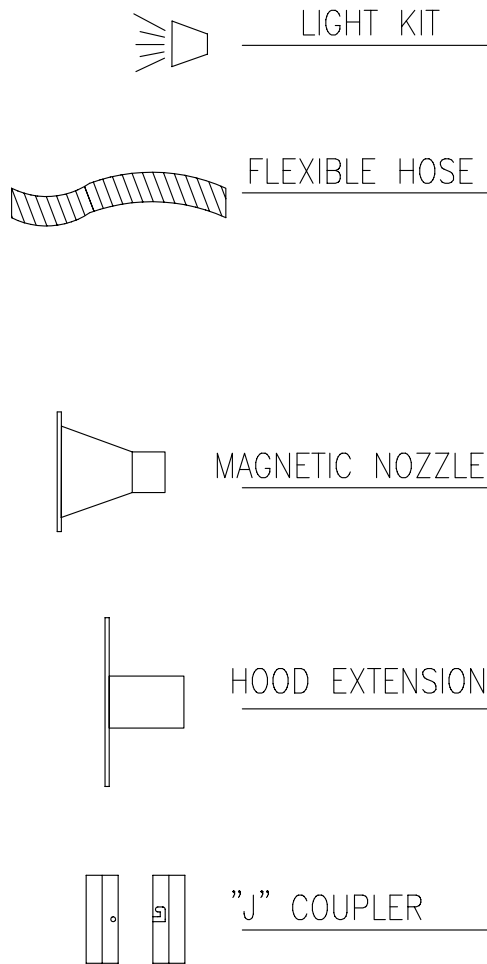
Brackets

- _____ P-021 1M (3'6") stanchion for ceiling, wall, or floor mounting
- _____ P-022 2M (7') stanchion for ceiling, wall, or floor mounting
- _____ P-022-10 3M (10') stanchion for ceiling, wall, or floor mounting
- _____ OM-004 Ceiling/Standing bracket
- _____ P-016 Fan Mounting bracket

Accessories:

- _____ SM-160 Safety mesh 160 MM (6.5")
- _____ P-019 Halogen Light 50 watt
- _____ P-020 Transformer (_____Volts,_____VA)
- _____ P-019-L Remote On-Off Switch
(NB: Included with Halogen Light)
- _____ P-025 Control Box for controlling the fan at the hood
- _____ P-017 2M (7') extension hose with magnetic nozzle
- _____ P-018 3M (10') extension hose with magnetic nozzle
- _____ HT-600 315 degrees C (600 F) hose option (_____M)
- _____ FS-200 Silencer 200 MM connection
- _____ HS-600 Hose shield
- _____ HS-TS-037 Tool Suspension kit 1.3 for 5 & 6M
SUPER MAX
- _____ HS-TS-037 Tool Suspension kit 2.3M for 7M SUPER MAX
- _____ HS-TS-038 Tool Suspension kit 1.3 for 8 & 9M
SUPER MAX
- _____ PDK-8 Duct Kit for P-MAX fans
- _____ HEM-160 Hemeon extension hoods
- _____ P-031 Turning Joint for 160MM hose

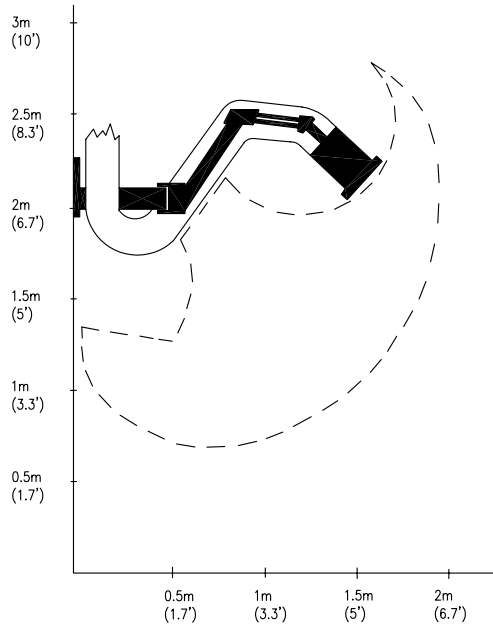
The device depicted and described hereon embodies proprietary information owned by the manufacturer. All design, manufacturing, reproduction, sales and patent rights regarding this device or drawing reserved except where explicit right is guaranteed in writing. We reserve the right to make design changes.	lev-co		THE LOCAL EXHAUST & VENTILATION COMPANY	
			1050 Brock Road, Pickering, ON, L1W 3X4 Phone: 905.831.7001, E-mail Sales@LEV-CO.com	
			North America: Phone: 888.862.5356, Fax: 8668409923 TORONTO-MONTREAL-OTTAWA-EDMONTON-LONDON-WINDSOR	
	DRAWN BY:	AP	TITLE: SUPER MAX S.S.	
	DATE:	01/31/03		
SCALE:	NTS	DRAWING NO.: SMAXSS-XX2-003		
WEIGHT:		MATERIAL:	SHEET: 3/5	



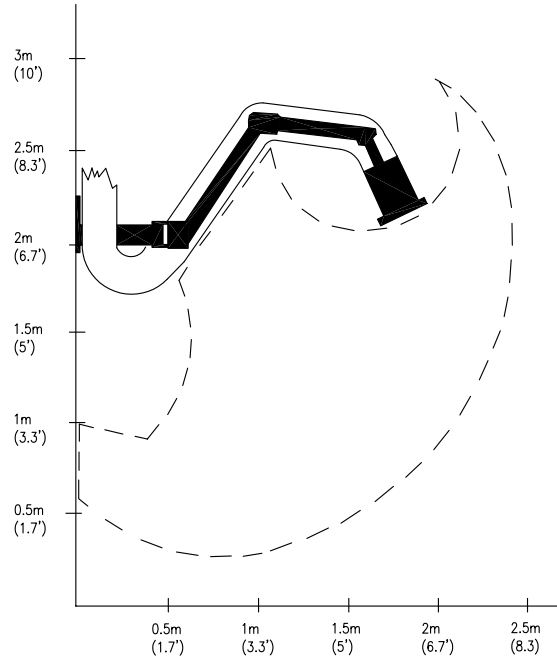
<p>The device depicted and described hereon embodies proprietary information owned by the manufacturer. All design, manufacturing, reproduction, sales and patent rights regarding this device or drawing reserved except where explicit right is guaranteed in writing. We reserve the right to make design changes.</p>			<p>THE LOCAL EXHAUST & VENTILATION COMPANY 1050 Brock Road, Pickering, ON, L1W 3X4 Phone: 905.831.7001, E-mail Sales@LEV-CO.com North America: Phone: 888.862.5356, Fax: 8668409923 TORONTO-MONTREAL-OTTAWA-EDMONTON-LONDON-WINDSOR</p>	
	<p>DRAWN BY: AP</p>	<p>TITLE: SUPER MAX S.S.</p>		
	<p>DATE: 01/31/03</p>			
	<p>SCALE: NTS</p>	<p>DRAWING NO.: SMAXSS-XX2-004</p>		
	<p>WEIGHT:</p>	<p>MATERIAL:</p>	<p>SHEET: 4/5</p>	

VERTICAL RANGE OF MOTION

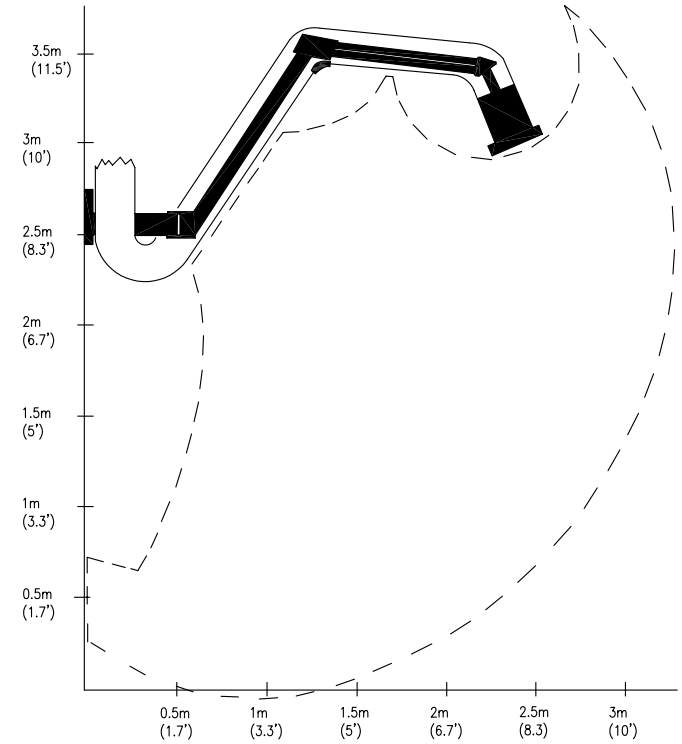
SM-1.5m (5')



SM-2m (7')



SM-3m/4m (10'/14')



The device depicted and described hereon embodies proprietary information owned by the manufacturer. All design, manufacturing, reproduction, sales and patent rights regarding this device or drawing reserved except where explicit right is guaranteed in writing. We reserve the right to make design changes.

lev-co		THE LOCAL EXHAUST & VENTILATION COMPANY	
		1050 Brock Road, Pickering, ON, L1W 3X4 Phone: 905.831.7001, E-mail Sales@LEV-CO.com North America: Phone: 888.862.5356, Fax: 8668409923 TORONTO-MONTREAL-OTTAWA-EDMONTON-LONDON-WINDSOR	
DRAWN BY:	AP	TITLE: SUPER MAX S.S.	
DATE:	01/31/03	DRAWING NO.: SMAXSS-XX2-005	
SCALE:	NTS	MATERIAL:	SHEET: 5/5
WEIGHT:			